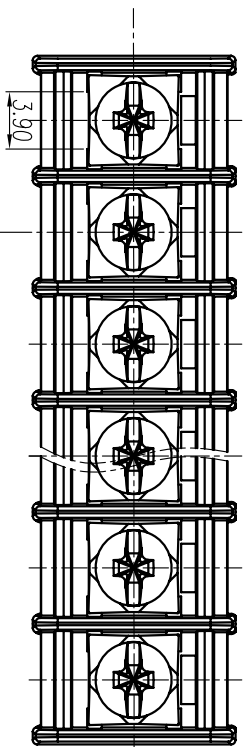
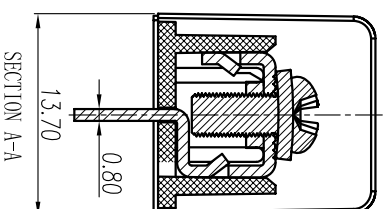
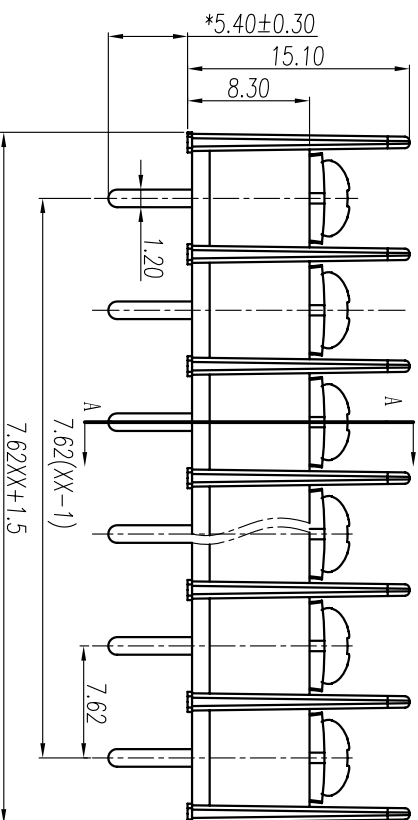




慈溪市万捷电子有限公司
CIXI WANJIE ELECTRONIC CO., LTD

产品规格书
product specification



尺寸/Dimensions

间距/Pitch: 7.62mm

极数/Poles: 2p-24p

材质及电镀/Material

塑件/Housing: PA66, UL94V-0

螺丝/Screws: M3, steel, Ni Plated

焊脚/Pin header: Brass, Tin plated

电气性能/Electrical

参考标准/Standard: UL IEC

额定电压/Rated voltage: 300V 250V

额定电流/Rated current: 15A 24A

使用线径/Wire range: 22-14AWG 2.5mm²

耐电压/Withstanding voltage: AC2000V/1Min

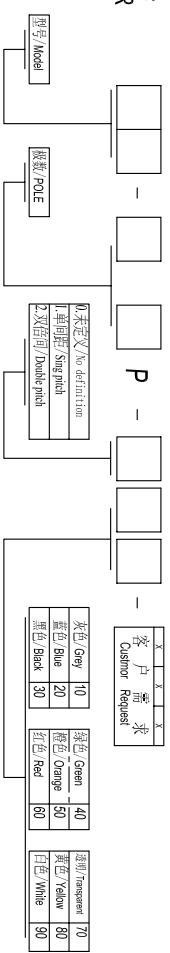
绝缘电阻/Insulation resistance: 500MΩ/DC500V

机械性能/Mechanical

扭矩/Torque: 0.5Nm(4.5lb.in)

温度范围/Temp.Range: -40°C~+105°C

订购方式:
HOW TO ORDER



TOLERANCES EXCEPT AS NOTED

	linear dimension	filllet	chamfer	short angle sid				
variable range	over 6 to 30 over 30 to 120 over 120 to 480	all to 6	over 6 to 10	over 10 to 50 over 50 to 120	all to 5 over 5 to 30 over 30 to 120	—	—	—
tolerance	±0.1 to ±0.2 ±0.2 to ±0.3 ±0.3 to ±0.5 ±0.5 to ±0.9	±0.2 to ±0.5	±1	1° to 30'	0.5 to 0.12 0.025 to 0.12	—	—	—

单位/UNITS mm 尺寸/SIZE A4 比例/SCALE 2:1

第一视角/FIRST ANGLE PROJECTION

慈溪市万捷电子有限公司
CIXI WANJIE ELECTRONIC CO., LTD

名称/NAME

WJ25C-XP-11Y-00A