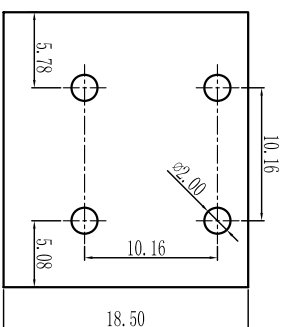
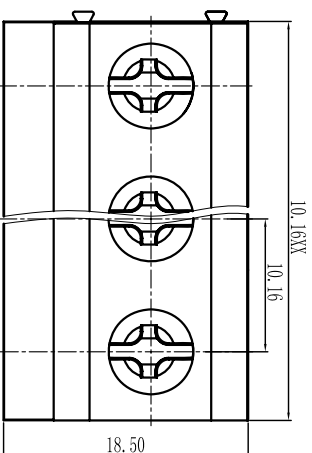
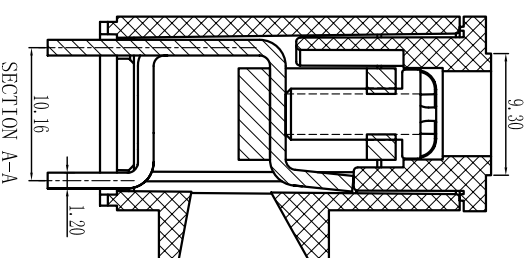
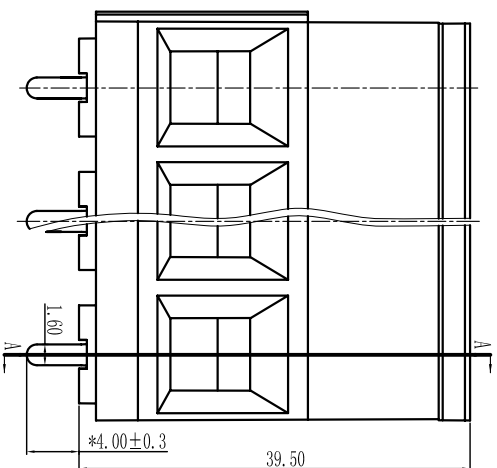




慈溪市万捷电子有限公司

CIXI WANJIE ELECTRONIC CO., LTD

产品规格书
product specification



TOLERANCES EXCEPT AS NOTED

	linear dimension			fillet	chamfer	short angle sid	—		//		⊥		
variable range	6 to	over 6 to	over 30 to	all	6 to	over 10 to	over 10 to	over 50 to	over 120 to	all	5 to	over 30 to	over 120 to
tolerance	±0.1	±0.2	±0.3	±0.2	±0.5	±0.9	±0.2	±0.5	±1	1°	30'	20'	10'

订购方式：
HOW TO ORDER

- - P - - - -

型号/Model: 极数/POLE:

0 未定义/No definition
 1 单向焊/Sing Pinch
 2 双向焊/Double pinch

客户需求 Customer Request:

电气性能/Electrical

参考标准/Standard: UL IEC

额定电压/Rated voltage: 300V 750V

额定电流/Rated current: 52A 57A

接触电阻/Contact resistance: 20mΩ

使用线径/Wire range: 26-10AWG 6.0mm²

耐电压/Withstanding voltage: AC3000V/1Min

绝缘电阻/Insulation resistance: 500MΩ/DC500V

机械性能/Mechanical

温度范围/Temp Range: -40°C~+105°C

扭矩/Torque: 1.2Nm (10.5lb`in)

剥线长度/Strip length: 10mm

尺寸/Dimensions

间距/Pitch: 10.16mm

极数/Poles: 2P-XXP

材料及电镀/Material

塑件/Housing: PA66, UL94V-0

螺丝/Screws: M4.0, steel Zinc plated

方块/Cage: Brass, Ni plated

焊脚/Pin header: Brass, Snle plated

本色/Gray	10	绿色/Green	40	透明/Transparent	20
蓝色/Blue	20	棕色/Orange	50	黄色/Yellow	80
黑色/Black	30	红色/Red	60	白色/White	90

单位/UNITS mm 尺寸/SIZE A4 比例/SCALE 比例

第一视角/FIRST ANGLE PROJECTION



慈溪市万捷电子有限公司
CIXI WANJIE ELECTRONIC CO., LTD

名称/NAME

WJ116V-10.16-XP-11Y-00A