



# STD5N20L

N-CHANNEL 200V - 0.65Ω - 5A DPAK

STripFET™ MOSFET

**Table 1: General Features**

TYPE	V <sub>DSS</sub>	R <sub>DS(on)</sub>	I <sub>D</sub>	P <sub>w</sub>
STD5N20L	200 V	< 0.7 Ω	5 A	33 W

- TYPICAL R<sub>DS(on)</sub> = 0.65 Ω @ 5V
- CONDUCTION LOSSES REDUCED
- LOW INPUT CAPACITANCE
- LOW THRESHOLD DEVICE

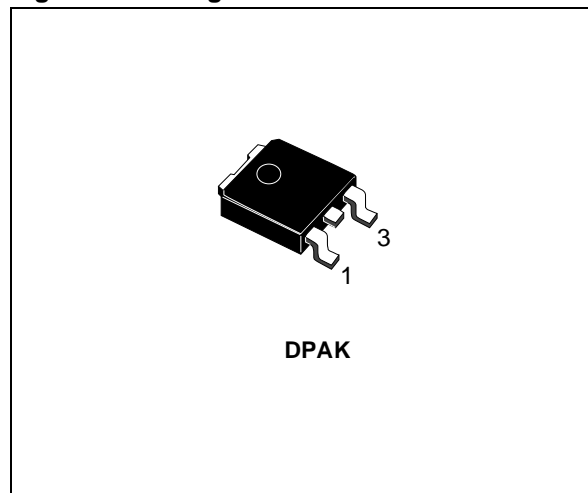
### DESCRIPTION

The STD5N20L utilizes the latest advanced design rules of ST's proprietary STripFET™ technology. This is suitable for the most demanding DC Motor Control and lighting application.

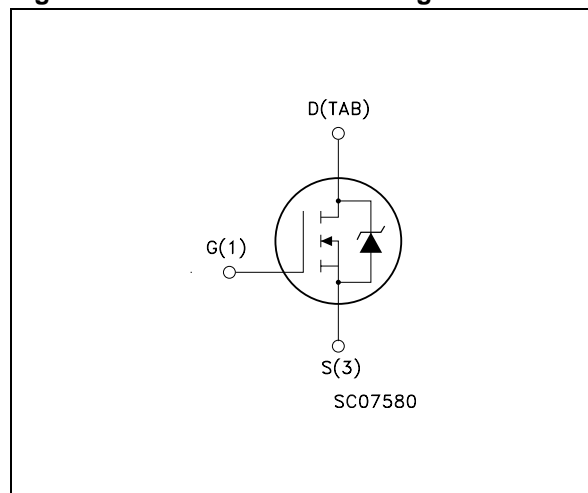
### APPLICATIONS

- UPS AND MOTOR CONTROL
- LIGHTING

**Figure 1: Package**



**Figure 2: Internal Schematic Diagram**



**Table 2: Order Codes**

SALES TYPE	MARKING	PACKAGE	PACKAGING
STD5N20LT4	D5N20L	DPAK	TAPE & REEL

**Table 3: Absolute Maximum ratings**

Symbol	Parameter	Value	Unit
$V_{DS}$	Drain-source Voltage ( $V_{GS} = 0$ )	200	V
$V_{DGR}$	Drain-gate Voltage ( $R_{GS} = 20\text{ k}\Omega$ )	200	V
$V_{GS}$	Gate- source Voltage	$\pm 20$	V
$I_D$	Drain Current (continuous) at $T_C = 25^\circ\text{C}$	5	A
$I_D$	Drain Current (continuous) at $T_C = 100^\circ\text{C}$	3.6	A
$I_{DM}(\bullet)$	Drain Current (pulsed)	20	A
$P_{TOT}$	Total Dissipation at $T_C = 25^\circ\text{C}$	33	W
	Derating Factor	0.27	W/ $^\circ\text{C}$
$T_{stg}$	Storage Temperature	-55 to 150	$^\circ\text{C}$
$T_j$	Operating Junction Temperature		

( $\bullet$ ) Pulse width limited by safe operating area

**Table 4: Thermal Data**

$R_{thj-case}$	Thermal Resistance Junction-case Max	3.75	$^\circ\text{C}/\text{W}$
$R_{thj-amb}$	Thermal Resistance Junction-ambient Max	100	$^\circ\text{C}/\text{W}$
$T_l$	Maximum Lead Temperature For Soldering Purpose	275	$^\circ\text{C}$

**ELECTRICAL CHARACTERISTICS** ( $T_{CASE} = 25^\circ\text{C}$  UNLESS OTHERWISE SPECIFIED)

**Table 5: On/Off**

Symbol	Parameter	Test Conditions	Min.	Typ.	Max.	Unit
$V_{(BR)DSS}$	Drain-source Breakdown Voltage	$I_D = 250\ \mu\text{A}, V_{GS} = 0$	200			V
$I_{DSS}$	Zero Gate Voltage Drain Current ( $V_{GS} = 0$ )	$V_{DS} = \text{Max Rating}$ $V_{DS} = \text{Max Rating}, T_C = 125^\circ\text{C}$			1 10	$\mu\text{A}$ $\mu\text{A}$
$I_{GSS}$	Gate-body Leakage Current ( $V_{DS} = 0$ )	$V_{GS} = \pm 20\text{V}$			$\pm 100$	nA
$V_{GS(th)}$	Gate Threshold Voltage	$V_{DS} = V_{GS}, I_D = 50\ \mu\text{A}$	1		2.5	V
$R_{DS(on)}$	Static Drain-source On Resistance	$V_{GS} = 5\ \text{V}, I_D = 2.5\ \text{A}$		0.65	0.7	$\Omega$

Table 6: Dynamic

Symbol	Parameter	Test Conditions	Min.	Typ.	Max.	Unit
$g_{fs}$ (2)	Forward Transconductance	$V_{DS} = 15\text{ V}$ , $I_D = 5\text{ A}$		6.5		S
$C_{iss}$ $C_{oss}$ $C_{rss}$	Input Capacitance Output Capacitance Reverse Transfer Capacitance	$V_{DS} = 25\text{ V}$ , $f = 1\text{ MHz}$ , $V_{GS} = 0$		242 44 6		pF pF pF
$t_{d(on)}$ $t_r$ $t_{d(off)}$ $t_f$	Turn-on Delay Time Rise Time Turn-off Delay Time Fall Time	$V_{DD} = 100\text{ V}$ , $I_D = 2.5\text{ A}$ $R_G = 4.7\Omega$ , $V_{GS} = 5\text{ V}$ (Resistive Load see Figure 14)		11.5 21.5 14 15.5		ns ns ns ns
$Q_g$ $Q_{gs}$ $Q_{gd}$	Total Gate Charge Gate-Source Charge Gate-Drain Charge	$V_{DD} = 160\text{ V}$ , $I_D = 5\text{ A}$ , $V_{GS} = 5\text{ V}$		5 1.5 3	6	nC nC nC

Table 7: Source Drain Diode

Symbol	Parameter	Test Conditions	Min.	Typ.	Max.	Unit
$I_{SD}$	Source-drain Current				5	A
$I_{SDM}$ (*)	Source-drain Current (pulsed)				20	A
$V_{SD}$ (1)	Forward On Voltage	$I_{SD} = 5\text{ A}$ , $V_{GS} = 0$			1.5	V
$t_{rr}$ $Q_{rr}$ $I_{RRM}$	Reverse Recovery Time Reverse Recovery Charge Reverse Recovery Current	$I_{SD} = 5\text{ A}$ , $di/dt = 100\text{ A}/\mu\text{s}$ , $V_{DD} = 100\text{ V}$ , $T_j = 25^\circ\text{C}$ (see test circuit, see Figure 15)		93 237 5.1		ns nC A
$t_{rr}$ $Q_{rr}$ $I_{RRM}$	Reverse Recovery Time Reverse Recovery Charge Reverse Recovery Current	$I_{SD} = 5\text{ A}$ , $di/dt = 100\text{ A}/\mu\text{s}$ , $V_{DD} = 100\text{ V}$ , $T_j = 150^\circ\text{C}$ (see test circuit, see Figure 15)		97 286 5.9		ns nC A

(1) Pulsed: Pulse duration = 300  $\mu\text{s}$ , duty cycle 1.5 %.

(2) Starting  $T_j = 25^\circ\text{C}$ ,  $I_d = 5\text{ A}$ ,  $V_{DD} = 50\text{ V}$

(\*) Pulse width limited by safe operating area

Figure 3: Safe Operating Area

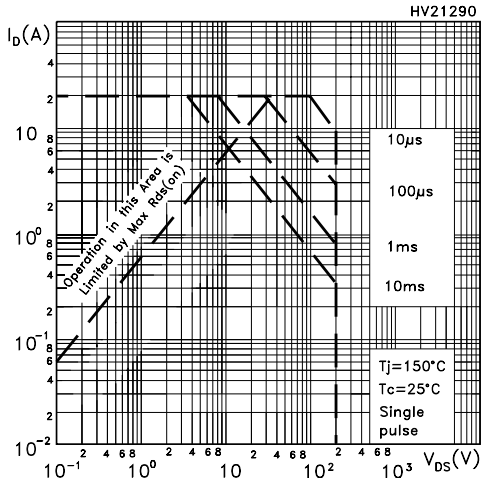


Figure 4: Output Characteristics

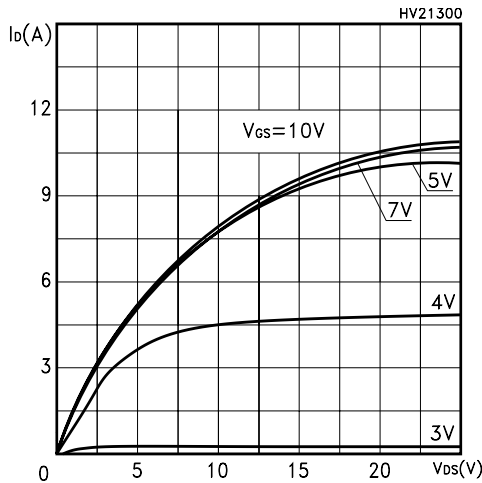


Figure 5: Transconductance

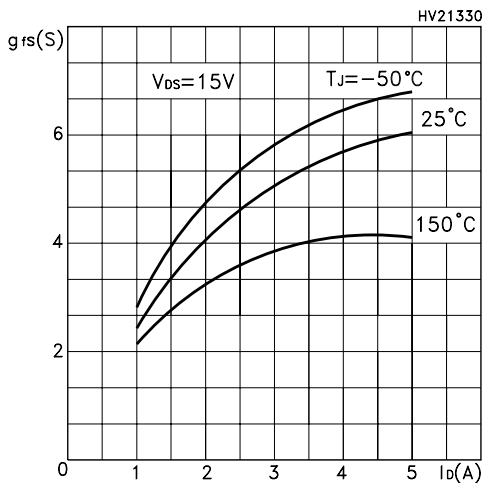


Figure 6: Thermal Impedance

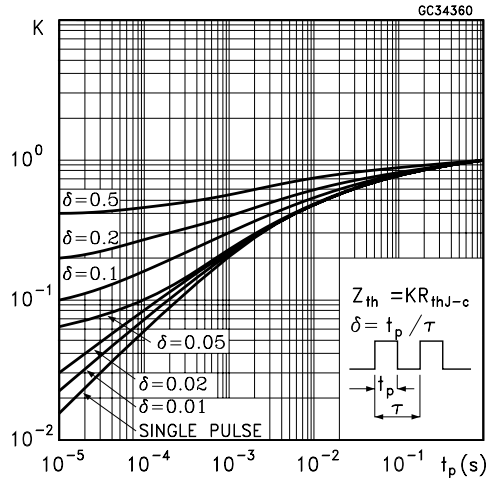


Figure 7: Transfer Characteristics

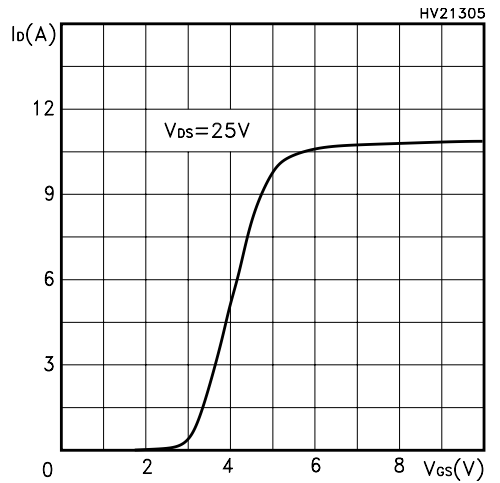


Figure 8: Static Drain-source On Resistance

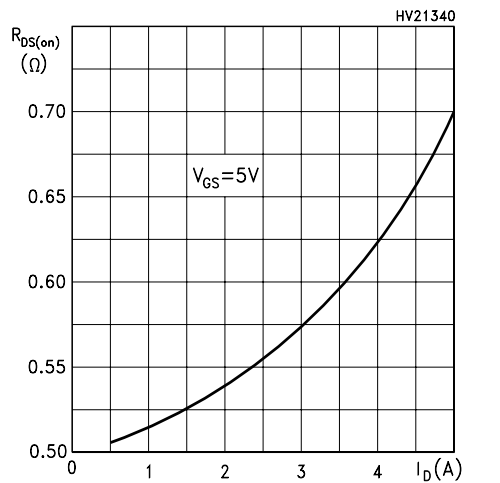


Figure 9: Gate Charge vs Gate-source Voltage

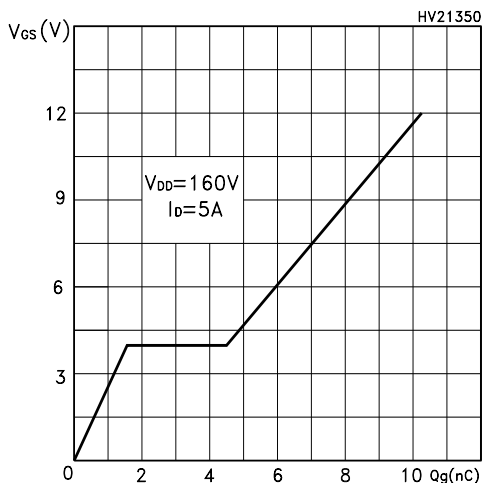


Figure 10: Normalized Gate Threshold Voltage vs Temperature

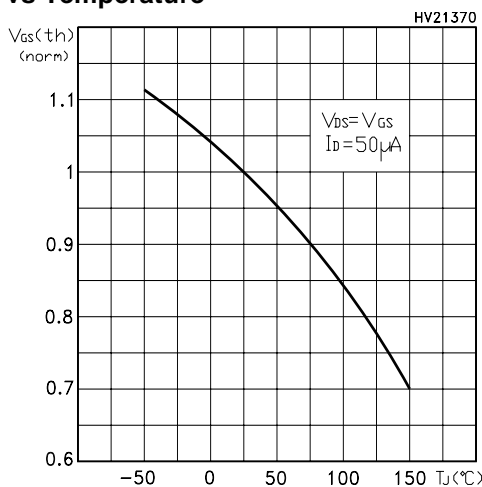


Figure 11: Source-Drain Diode Forward Characteristics

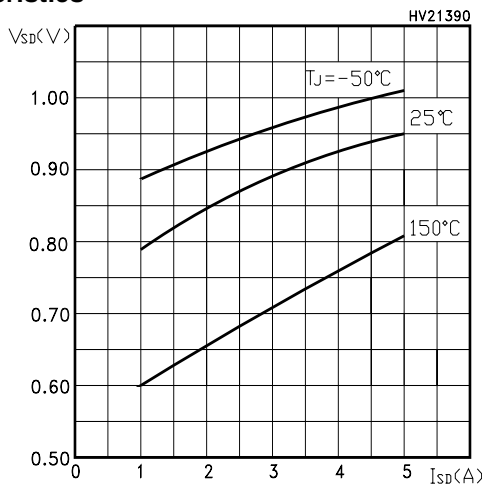


Figure 12: Capacitance Variations

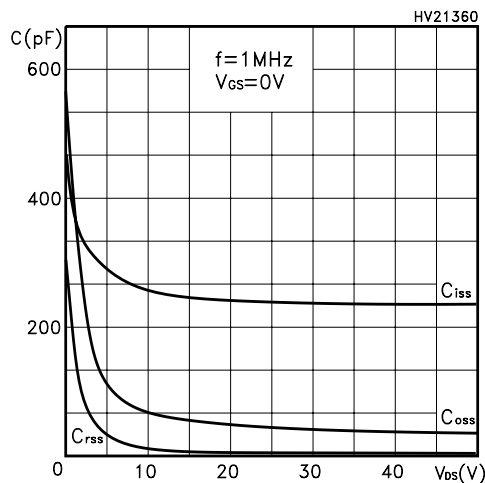


Figure 13: Normalized On Resistance vs Temperature

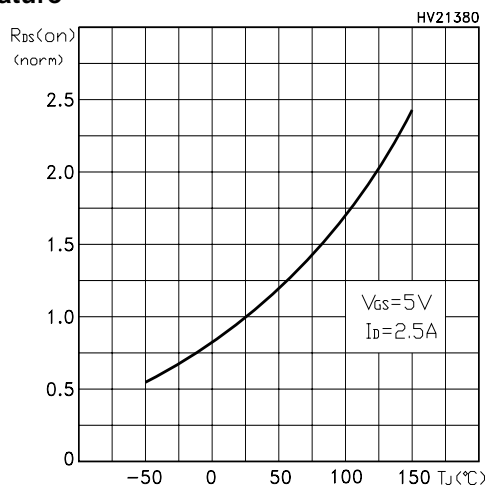


Figure 14: Switching Times Test Circuit For Resistive Load

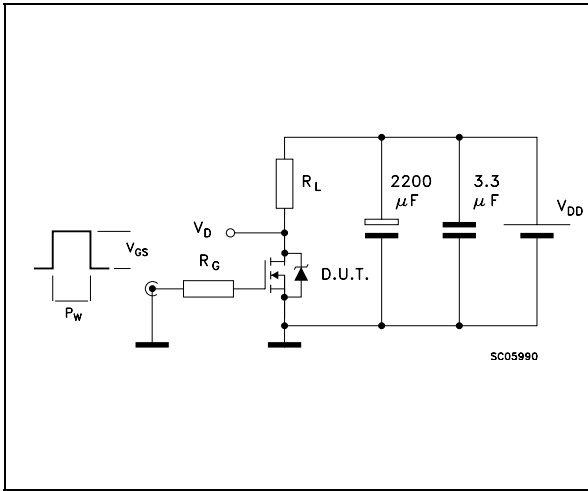


Figure 15: Test Circuit For Inductive Load Switching and Diode Recovery Times

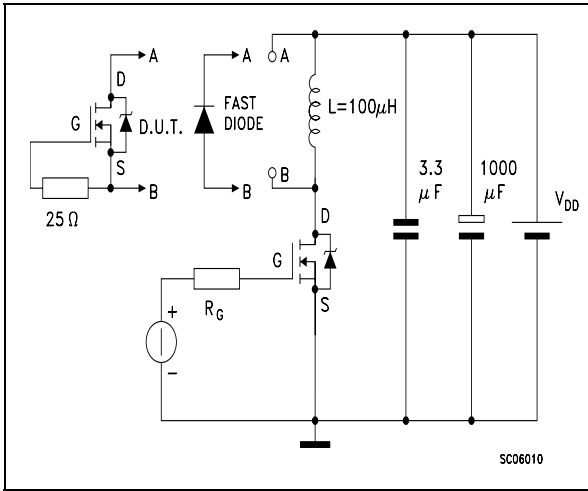
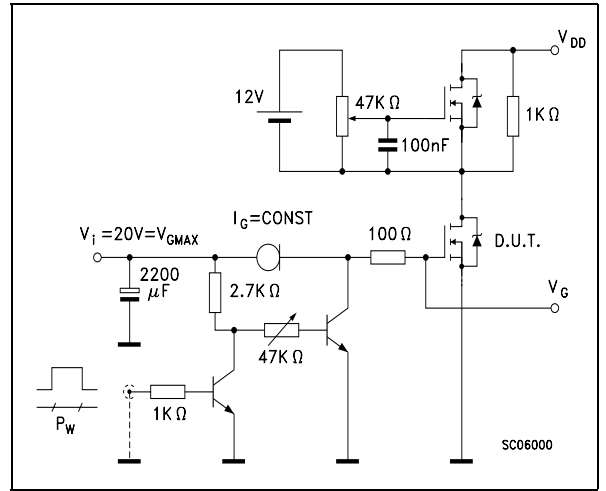
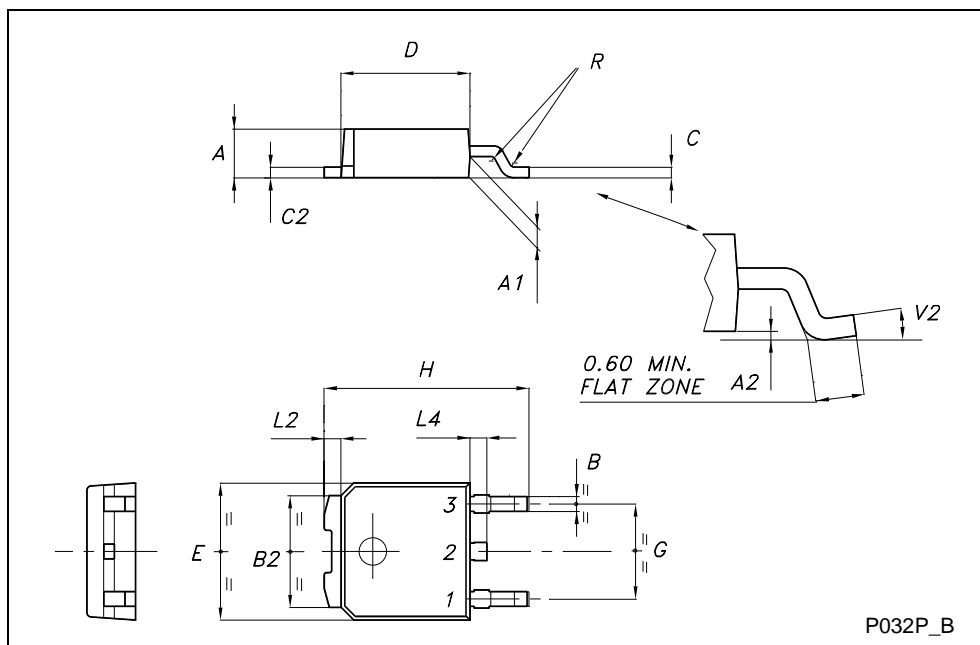


Figure 16: Gate Charge Test Circuit

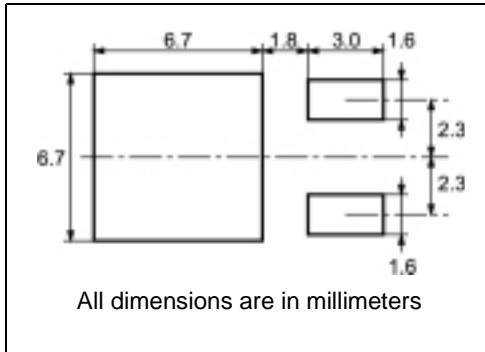


TO-252 (DPAK) MECHANICAL DATA

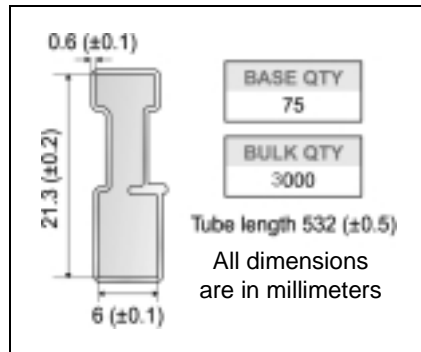
DIM.	mm			inch		
	MIN.	TYP.	MAX.	MIN.	TYP.	MAX.
A	2.20		2.40	0.087		0.094
A1	0.90		1.10	0.035		0.043
A2	0.03		0.23	0.001		0.009
B	0.64		0.90	0.025		0.035
B2	5.20		5.40	0.204		0.213
C	0.45		0.60	0.018		0.024
C2	0.48		0.60	0.019		0.024
D	6.00		6.20	0.236		0.244
E	6.40		6.60	0.252		0.260
G	4.40		4.60	0.173		0.181
H	9.35		10.10	0.368		0.398
L2		0.8			0.031	
L4	0.60		1.00	0.024		0.039
V2	0°		8°	0°		0°



**DPAK FOOTPRINT**



**TUBE SHIPMENT (no suffix)\***



**TAPE AND REEL SHIPMENT (suffix "T4")\***

**REEL MECHANICAL DATA**

DIM.	mm		inch	
	MIN.	MAX.	MIN.	MAX.
A		330		12.992
B	1.5		0.059	
C	12.8	13.2	0.504	0.520
D	20.2		0.795	
G	16.4	18.4	0.645	0.724
N	50		1.968	
T		22.4		0.881

BASE QTY	BULK QTY
2500	2500

**TAPE MECHANICAL DATA**

DIM.	mm		inch	
	MIN.	MAX.	MIN.	MAX.
A0	6.8	7	0.267	0.275
B0	10.4	10.6	0.409	0.417
B1		12.1		0.476
D	1.5	1.6	0.059	0.063
D1	1.5		0.059	
E	1.65	1.85	0.065	0.073
F	7.4	7.6	0.291	0.299
K0	2.55	2.75	0.100	0.108
P0	3.9	4.1	0.153	0.161
P1	7.9	8.1	0.311	0.319
P2	1.9	2.1	0.075	0.082
R	40		1.574	
W	15.7	16.3	0.618	0.641

\* on sales type



**Table 8: Revision History**

<b>Date</b>	<b>Revision</b>	<b>Description of Changes</b>
08-June-2004	2	New Stylesheet. Datasheet according to PCN DSG-TRA/04/532
20-Sep-2004	3	Changes on Table 3, and on Figure 3.

Information furnished is believed to be accurate and reliable. However, STMicroelectronics assumes no responsibility for the consequences of use of such information nor for any infringement of patents or other rights of third parties which may result from its use. No license is granted by implication or otherwise under any patent or patent rights of STMicroelectronics. Specifications mentioned in this publication are subject to change without notice. This publication supersedes and replaces all information previously supplied. STMicroelectronics products are not authorized for use as critical components in life support devices or systems without express written approval of STMicroelectronics.

The ST logo is a registered trademark of STMicroelectronics

All other names are the property of their respective owners

© 2004 STMicroelectronics - All Rights Reserved

STMicroelectronics group of companies

Australia - Belgium - Brazil - Canada - China - Czech Republic - Finland - France - Germany - Hong Kong - India - Israel - Italy - Japan - Malaysia - Malta - Morocco - Singapore - Spain - Sweden - Switzerland - United Kingdom - United States of America

# Mouser Electronics

Authorized Distributor

Click to View Pricing, Inventory, Delivery & Lifecycle Information:

[STMicroelectronics:](#)

[STD5N20LT4](#)