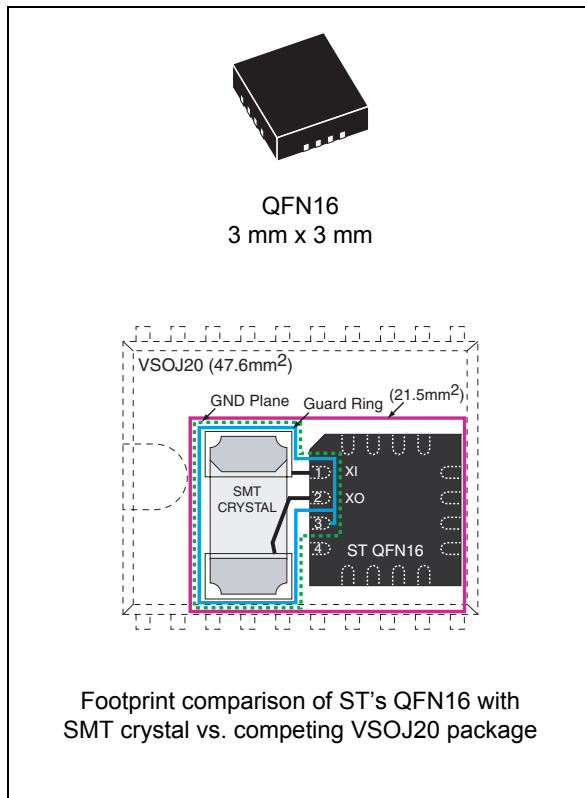


Low-power serial real-time clock (RTC)

Datasheet - production data



Features

- Counters for seconds, minutes, hours, day, date, month, years, and century
- 32 KHz crystal oscillator integrating load capacitance and high crystal series resistance operation
- Oscillator stop detection monitors clock operation
- Serial interface supports I²C bus (400 kHz)
- 350 nA timekeeping current at 3 V
- Low operating current of 35 μ A (at 400 kHz)
- Timekeeping down to 1.0 V
- 1.3 V to 4.4 V I²C bus operating voltage
- Software clock calibration to compensate deviation of crystal due to temperature
- Software programmable output (OUT)
- Operating temperature of -40 to 85 °C
- Automatic leap year compensation
- Lead-free 16-pin QFN package
- Li-ion rechargeable operation

Table of contents

1	Description	5
2	Operation	8
2.1	2-wire bus characteristics	8
2.1.1	Bus not busy	8
2.1.2	Start data transfer	8
2.1.3	Stop data transfer	8
2.1.4	Data valid	9
2.1.5	Acknowledge	9
2.2	READ mode	10
2.3	WRITE mode	12
3	Clock operation	13
3.1	Calibrating the clock	13
3.2	Century bits	16
3.3	Leap year	17
3.4	Output driver pin	17
3.5	Oscillator stop detection	17
3.6	Initial power-on defaults	17
4	Maximum ratings	18
5	DC and AC parameters	19
6	Package mechanical data	23
7	Part numbering	26
8	Revision history	27

List of tables

Table 1.	Signal names	5
Table 2.	Register map	15
Table 3.	Examples using century bits	16
Table 4.	Absolute maximum ratings	18
Table 5.	Operating and AC measurement conditions	19
Table 6.	Capacitance	20
Table 7.	DC characteristics	20
Table 8.	Crystal electrical characteristics	21
Table 9.	Crystals suitable for use with M41T6x series RTCs	21
Table 10.	Oscillator characteristics	22
Table 11.	AC characteristics	22
Table 12.	QFN16 – 16-lead, quad, flat package, no lead, 3 x 3 mm body size, mechanical data . . .	24
Table 13.	Ordering information scheme	26
Table 14.	Revision history	27

List of figures

Figure 1.	Logic diagram	5
Figure 2.	16-pin QFN connections	6
Figure 3.	Block diagram	6
Figure 4.	Hardware hookup for SuperCap™ backup operation	7
Figure 5.	Serial bus data transfer sequence	9
Figure 6.	Acknowledgement sequence	10
Figure 7.	Slave address location	10
Figure 8.	READ mode sequence	11
Figure 9.	Alternate READ mode sequence	11
Figure 10.	WRITE mode sequence	12
Figure 11.	Crystal accuracy across temperature	15
Figure 12.	Calibration waveform	16
Figure 13.	Century bits CB1 and CB0	16
Figure 14.	AC testing I/O waveform	19
Figure 15.	Crystal isolation example	19
Figure 16.	Bus timing requirements sequence	22
Figure 17.	QFN16 – 16-lead, quad, flat package, no lead, 3 x 3 mm body size, outline	24
Figure 18.	QFN16, quad, flat package, no lead, 3 x 3 mm, recommended footprint	25
Figure 19.	32 KHz crystal + QFN16 vs. VSOJ20 mechanical data	25

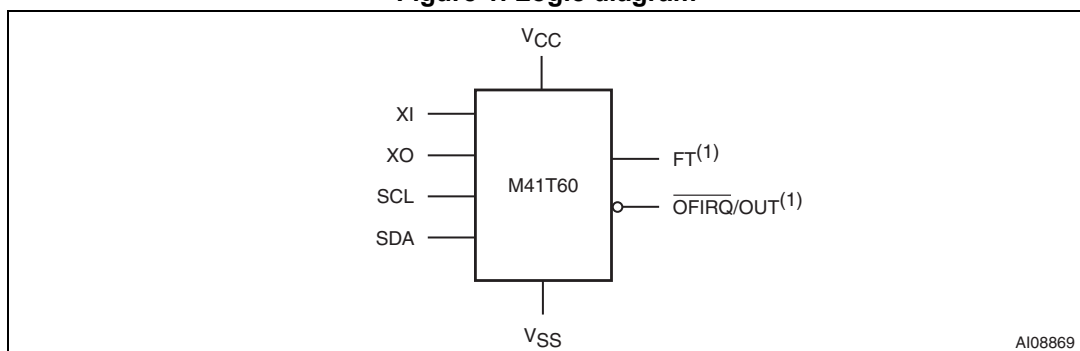
1 Description

The M41T60 is a low-power serial real-time clock (RTC) with a built-in 32.768 kHz oscillator (external crystal controlled). Eight registers are used for the clock/calendar function and are configured in binary-coded decimal (BCD) format. Addresses and data are transferred serially via a two-line, bidirectional bus. The built-in address register is increased automatically after each WRITE or READ data byte.

The eight clock address locations contain the century, year, month, date, day, hour, minute, and second in 24-hour BCD format. Corrections for 28-, 29- (leap year), 30-, and 31-day months are made automatically.

The M41T60 is supplied in a 16-lead QFN package.

Figure 1. Logic diagram



1. Open drain

Table 1. Signal names

XI	Oscillator input
XO	Oscillator output
FT	Frequency test output (open drain)
SDA	Serial data address input/output
SCL	Serial clock
$\overline{\text{OFIRQ/OUT}}$	Oscillator fail interrupt/out output (open drain)
V _{CC}	Supply voltage
V _{SS}	Ground

Figure 2. 16-pin QFN connections

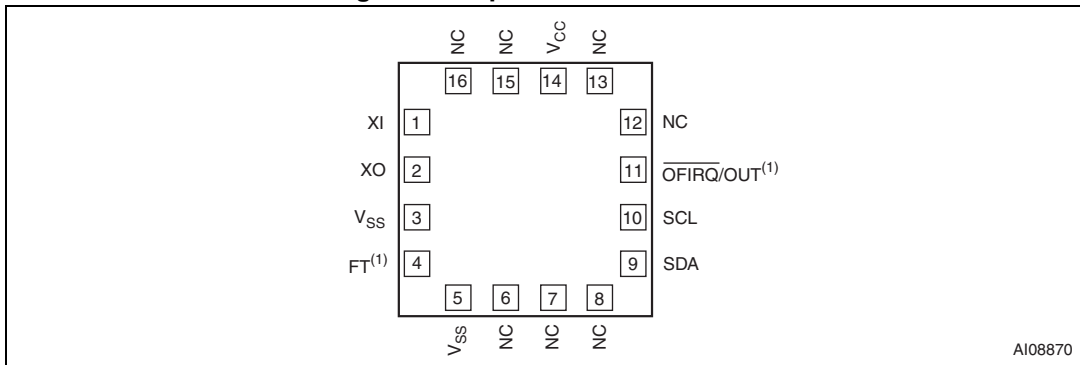
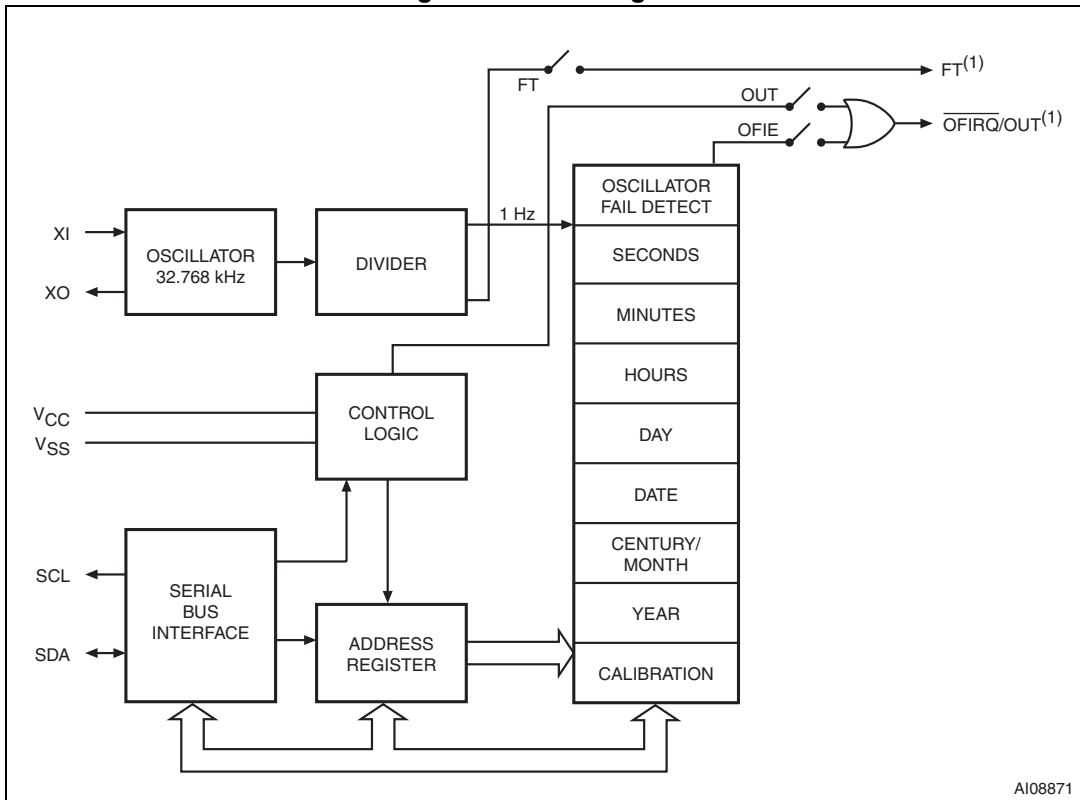


Figure 3. Block diagram



1. Open drain output.

2 Operation

The M41T60 clock operates as a slave device on the serial bus. Access is obtained by implementing a start condition followed by the correct slave address (D0h). The 8 bytes contained in the device can then be accessed sequentially in the following order:

1. Seconds register
2. Minutes register
3. Hours register
4. Day register
5. Date register
6. Century/month register
7. Years register
8. Calibration register

2.1 2-wire bus characteristics

This bus is intended for communication between different ICs. It consists of two lines: one bi-directional for data signals (SDA) and one for clock signals (SCL). Both the SDA and the SCL lines must be connected to a positive supply voltage via a pull-up resistor.

The following protocol has been defined:

- Data transfer may be initiated only when the bus is not busy.
- During data transfer, the data line must remain stable whenever the clock line is high. Changes in the data line while the clock line is high will be interpreted as control signals.

Accordingly, the following bus conditions have been defined:

2.1.1 Bus not busy

Both data and clock lines remain high.

2.1.2 Start data transfer

A change in the state of the data line, from high to low, while the clock is high, defines the START condition.

2.1.3 Stop data transfer

A change in the state of the data line, from low to high, while the clock is high, defines the STOP condition.

2.1.4 Data valid

The state of the data line represents valid data when after a start condition, the data line is stable for the duration of the high period of the clock signal. The data on the line may be changed during the low period of the clock signal. There is one clock pulse per bit of data.

Each data transfer is initiated with a start condition and terminated with a stop condition. The number of data bytes transferred between the start and stop conditions is not limited. The information is transmitted byte-wide and each receiver acknowledges with a ninth bit.

By definition, a device that gives out a message is called “transmitter”, the receiving device that gets the message is called “receiver”. The device that controls the message is called “master”. The devices that are controlled by the master are called “slaves”.

2.1.5 Acknowledge

Each byte of eight bits is followed by one acknowledge bit. This acknowledge bit is a low level put on the bus by the receiver, whereas the master generates an extra acknowledge related clock pulse.

A slave receiver which is addressed is obliged to generate an acknowledge after the reception of each byte. Also, a master receiver must generate an acknowledge after the reception of each byte that has been clocked out of the slave transmitter.

The device that acknowledges has to pull down the SDA line during the acknowledge clock pulse in such a way that the SDA line is a stable low during the high period of the acknowledge related clock pulse. Of course, setup and hold times must be taken into account. A master receiver must signal an end-of-data to the slave transmitter by not generating an acknowledge on the last byte that has been clocked out of the slave. In this case, the transmitter must leave the data line high to enable the master to generate the STOP condition.

Figure 5. Serial bus data transfer sequence

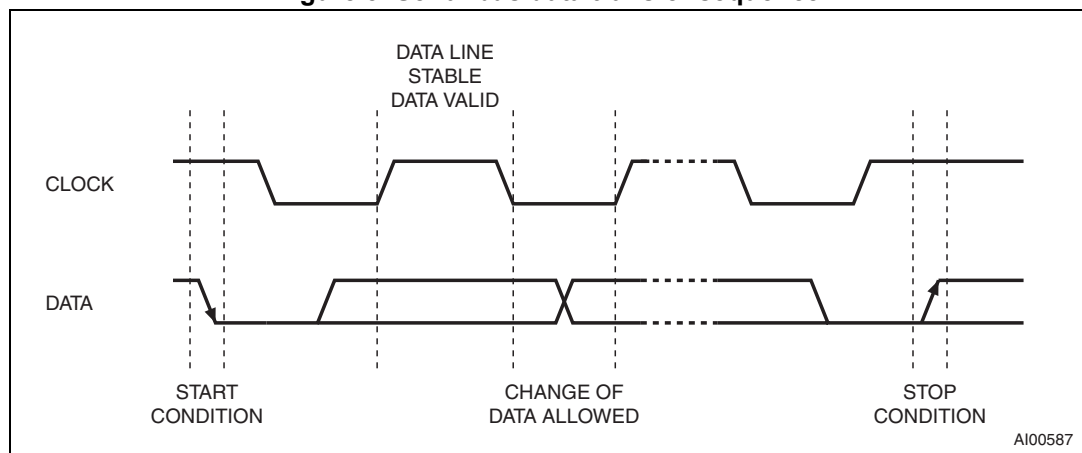
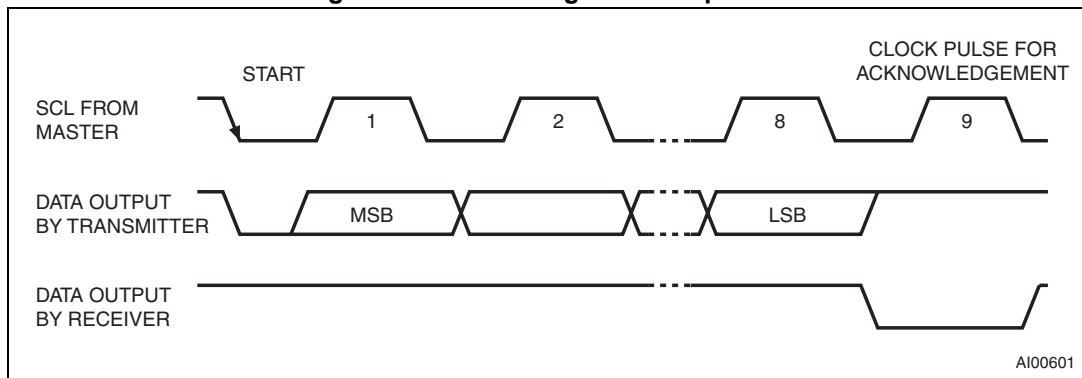


Figure 6. Acknowledgement sequence



2.2 READ mode

In this mode, the master reads the M41T60 slave after setting the slave address (see [Figure 7](#)). Following the WRITE mode control bit ($R/\bar{W} = 0$) and the acknowledge bit, the word address A_n is written to the on-chip address pointer. Next the START condition and slave address are repeated, followed by the READ mode control bit ($R/\bar{W} = 1$). At this point, the master transmitter becomes the master receiver. The data byte which was addressed will be transmitted and the master receiver will send an acknowledge bit to the slave transmitter. The address pointer is only increased on reception of an acknowledge bit. The M41T60 slave transmitter will now place the data byte at address A_{n+1} on the bus. The master receiver reads and acknowledges the new byte and the address pointer is increased to A_{n+2} .

This cycle of reading consecutive addresses will continue until the master receiver sends a STOP condition to the slave transmitter.

The system-to-user transfer of clock data will be halted whenever the address being read is a clock address (0h to 6h). The update will resume due to a stop condition or when the pointer increments to any non-clock address (7h).

An alternate READ mode may also be implemented, whereby the master reads the M41T60 slave without first writing to the (volatile) address pointer. The first address that is read is the last one stored in the pointer (see [Figure 9 on page 11](#)).

Figure 7. Slave address location

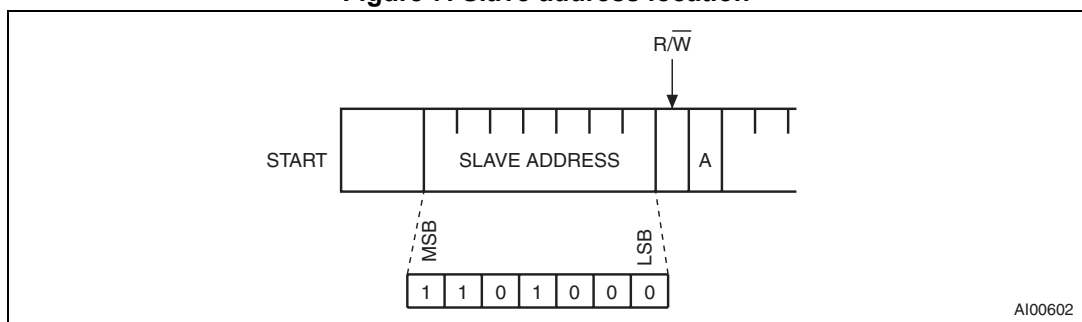
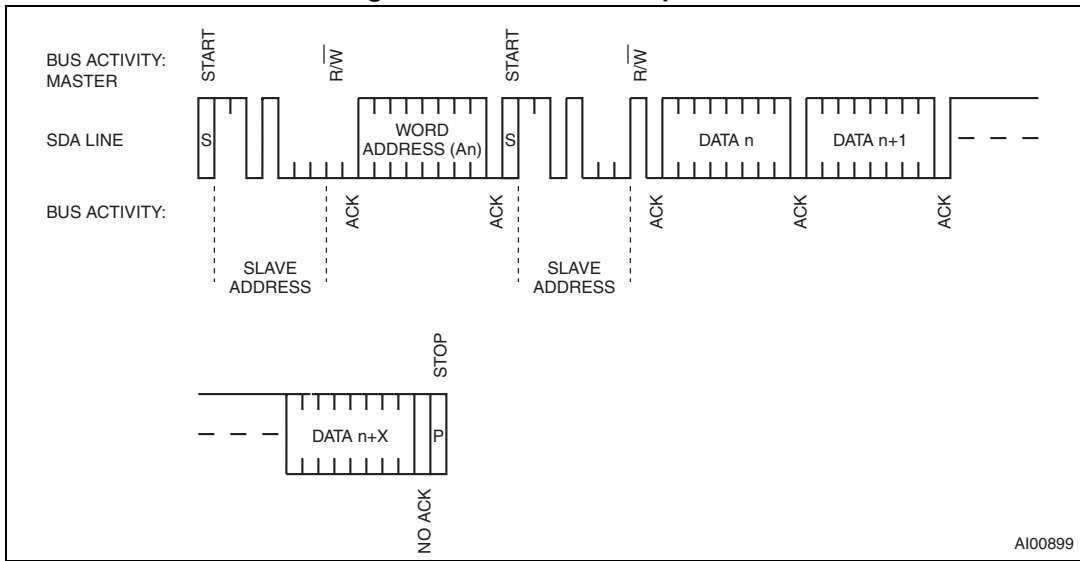
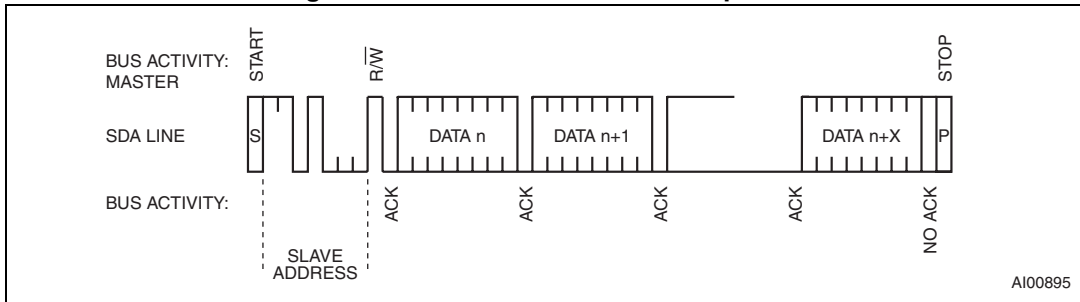


Figure 8. READ mode sequence



AI00899

Figure 9. Alternate READ mode sequence

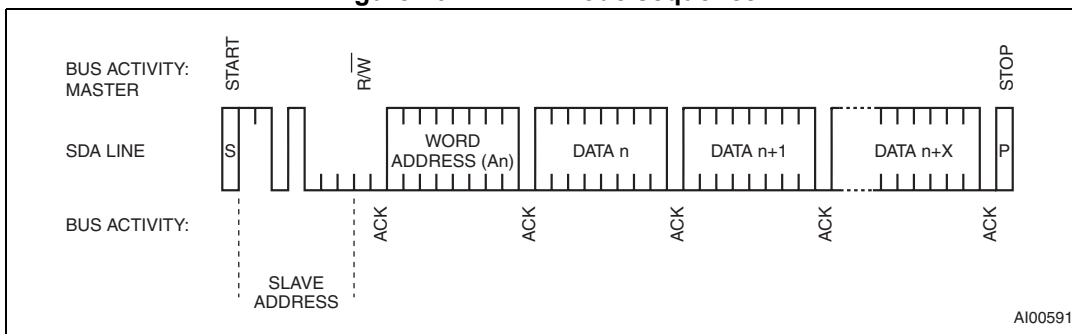


AI00895

2.3 WRITE mode

In this mode the master transmitter transmits to the M41T60 slave receiver. Bus protocol is shown in *Figure 10 on page 12*. Following the START condition and slave address, a logic '0' ($R/\overline{W} = 0$) is placed on the bus and indicates to the addressed device that word address An will follow and is to be written to the on-chip address pointer. The data word to be written to the memory is strobed in next and the internal address pointer is increased to the next address location on the reception of an acknowledge clock. The M41T60 slave receiver will send an acknowledge clock to the master transmitter after it has received the slave address and again after it has received the word address and each data byte.

Figure 10. WRITE mode sequence



AI00591

3 Clock operation

The M41T60 is driven by a quartz-controlled oscillator with a nominal frequency of 32.768 kHz. The accuracy of the real-time clock depends on the frequency of the quartz crystal that is used as the time-base for the RTC. The eight-byte clock register (see [Table 2 on page 15](#)) is used to both set the clock and to read the date and time from the clock, in a binary-coded decimal format. Seconds, minutes, and hours are contained within the first three registers.

Bits D6 and D7 of clock register 05h (century/month register) contain the century bit 0 (CB0) and the century bit 1 (CB1). See [Table 3 on page 16](#) for additional explanation. Bits D0 through D2 of register 03h contain the day (day of the week). Registers 04h, 05h, and 06h contain the date (day of the month), century/month, and years. The eighth clock register is the calibration register (this is described in the clock calibration section). Bit D7 of register 00h contains the stop bit (ST). Setting this bit to a '1' will cause the oscillator to stop. When reset to a '0,' the oscillator restarts within one second (typical).

Note: Upon initial power-up, the user should set the ST bit to a '1,' then immediately reset the ST bit to '0.' This provides an additional "kick-start" to the oscillator circuit.

Bit D7 of register 01h contains the oscillator fail interrupt enable bit (OFIE - see the description in the oscillator fail detection section).

Note: A WRITE to ANY location within the first seven bytes of the clock register (0h-6h), including the OFIE and ST bit, will result in an update of the system clock and a reset of the divider chain. This could result in an inadvertent change of the current time. These non-clock related bits should be written prior to setting the clock, and remain unchanged until such time as a new clock time is also written.

The seven clock registers may be read one byte at a time, or in a sequential block. The calibration register (address location 7h) may be accessed independently. A provision has been made to ensure that a clock update does not occur while any of the clock addresses are being read. If a clock address is being read, an update of the clock registers will be halted. this will prevent a transition of data during the READ.

3.1 Calibrating the clock

The M41T60 is driven by a quartz-controlled oscillator with a nominal frequency of 32,768 Hz. The accuracy of the clock is dependent upon the accuracy of the crystal, and the match between the capacitive load of the oscillator circuit and the capacitive load for which the crystal was trimmed. The M41T60 oscillator is designed for use with a 6 - 7 pF crystal load capacitance. When the calibration circuit is properly employed, accuracy improves to better than ± 2 ppm at 25 °C.

The oscillation rate of crystals changes with temperature (see [Figure 11 on page 15](#)). The M41T60 design employs periodic counter correction. The calibration circuit adds or subtracts counts from the oscillator divider circuit at the divide by 256 stage, as shown in [Figure 12 on page 16](#). The number of times pulses are blanked (subtracted, negative calibration) or split (added, positive calibration) depends upon the value loaded into the five calibration bits found in the calibration register. Adding counts speeds the clock up, subtracting counts slows the clock down. The calibration bits occupy the five lower-order bits (D4-D0) in the calibration register 07h.

These bits can be set to represent any value between 0 and 31 in binary format. Bit D5 is a sign bit; '1' indicates positive calibration, '0' indicates negative calibration.

Calibration occurs within a 64-minute cycle. The first 62 minutes in the cycle may, once per minute, have one second either shortened by 128 or lengthened by 256 oscillator cycles. If a binary '1' is loaded into the register, only the first 2 minutes in the 64-minute cycle will be modified; if a binary 6 is loaded, the first 12 will be affected, and so on. Therefore, each calibration step has the effect of adding 512 or subtracting 256 oscillator cycles for every 125,829,120 actual oscillator cycles. That is, +4.068 or -2.034 ppm of adjustment per calibration step in the calibration register. Assuming that the oscillator is running at exactly 32,768 Hz, each of the 31 increments in the calibration byte would represent +10.7 or -5.35 seconds per day which corresponds to a total range of +5.5 or -2.75 minutes per month.

Two methods are available for ascertaining how much calibration a given M41T60 may require:

- The first involves setting the clock, letting it run for a month and comparing it to a known accurate reference and recording deviation over a fixed period of time. Calibration values, including the number of seconds lost or gained in a given period, can be found in application note AN934, "TIMEKEEPER[®] calibration." This allows the designer to give the end user the ability to calibrate the clock as the environment requires, even if the final product is packaged in a non-user serviceable enclosure. The designer could provide a simple utility that accesses the calibration byte.
- The second approach is better suited to a manufacturing environment, and involves the use of the frequency test (FT) pin. The FT pin will toggle at 512 Hz when the ST bit is set to '0,' and the OUT bit and FT bit are set to '1.' Any measured deviation from the 512 Hz frequency indicates the degree and direction of oscillator frequency shift at the test temperature. For example, a reading of 512.010124 Hz would indicate a +20 ppm oscillator frequency error, requiring a -10 (XX001010) to be loaded into the calibration byte for correction.

Note: Setting or changing the calibration byte does not affect the frequency test output frequency. the FT pin is an open drain pin which requires a pull-up resistor to V_{CC} for proper operation. A 500-10 k resistor is recommended in order to control the rise time.

Table 2. Register map

Address	Data								Function/range BCD format	
	D7	D6	D5	D4	D3	D2	D1	D0		
0	ST	10 seconds			Seconds			Seconds	00-59	
1	OFIE	10 minutes			Minutes			Minutes	00-59	
2	0	0	10 hours		Hours			Hours	00-23	
3	0	0	0	0	0	Day		Day	01-07	
4	0	0	10 date		Date			Date	01-31	
5	CB1	CB0	0	10 M.	Month			Century/month	0-3/01-12	
6	10 Years				Years			Year	00-99	
7	OUT	FT	S	Calibration				Calibration		

- 0 = Must be set to '0'
- CB0, CB1 = century bits
- FT = frequency test bits
- OFIE = oscillator fail interrupt enable bit
- OUT = output level
- S = sign bit
- ST = stop bit

Figure 11. Crystal accuracy across temperature

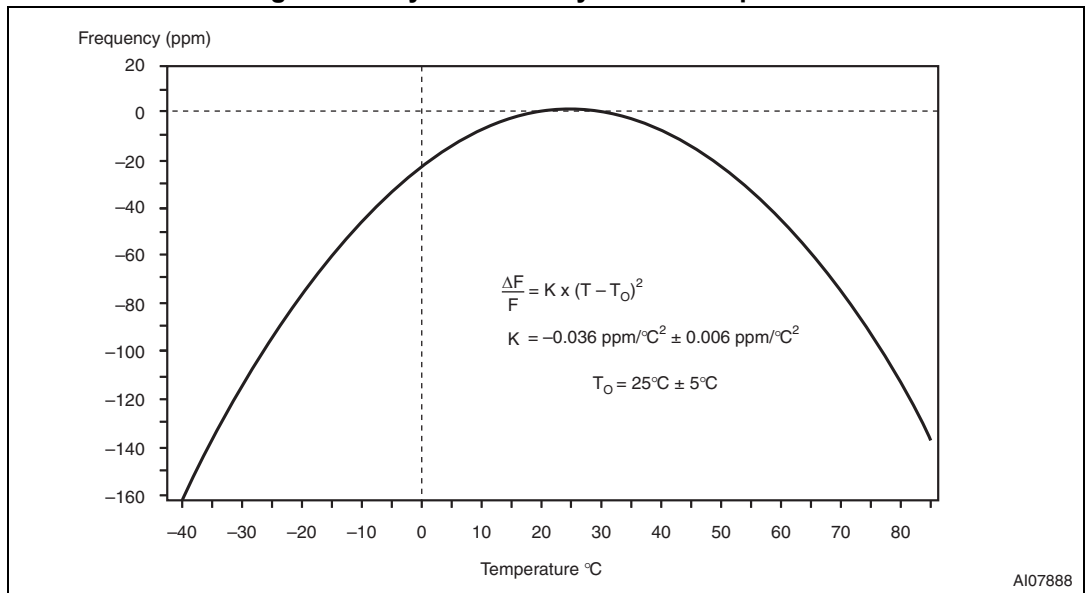
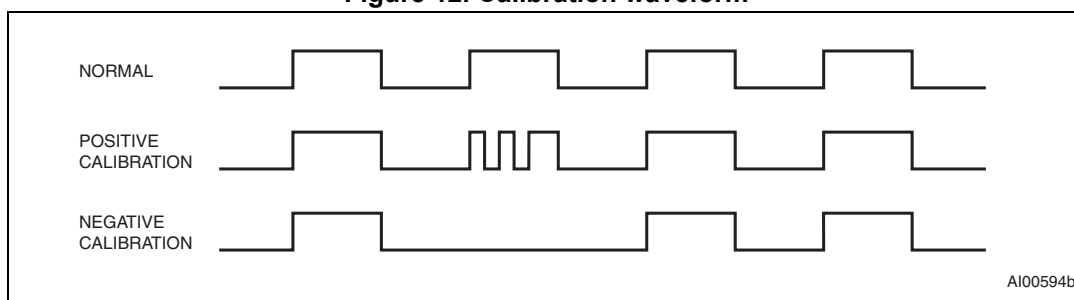


Figure 12. Calibration waveform



3.2 Century bits

The two century bits, CB1 and CB0, are bits D7 and D6, respectively, in the century/month register at address 06h. Together, they comprise a 2-bit counter which increments at the turn of each century. CB1 is the most significant bit.

The user may arbitrarily assign the meaning of CB1:CB0 to represent any century value, but the simplest way of using these bits is to extend the year register (07h) by mapping them directly to bits 9 and 8. (The reader is reminded that the year register is in BCD format.) Higher order year bits can be maintained in the application software.

Figure 13. Century bits CB1 and CB0

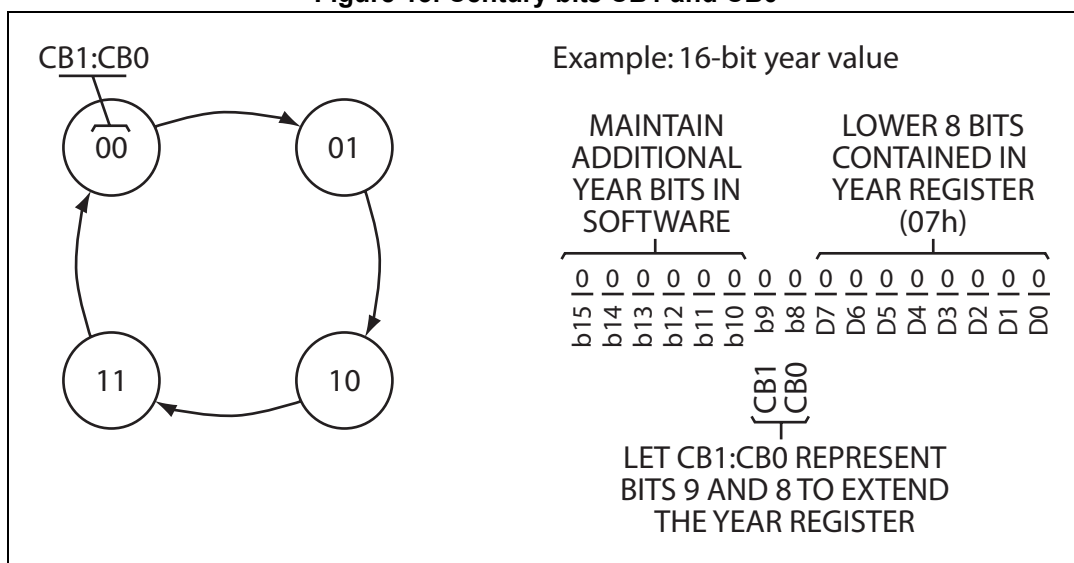


Table 3. Examples using century bits

CB1	CB0	CENTURY
0	0	2000
0	1	2100
1	0	2200
1	1	2300

3.3 Leap year

Leap year occurs every four years, in years which are multiples of 4. For example, 2012 was a leap year. An exception to that is any year which is a multiple of 100. For example, the year 2100 is *not* a leap year. A further exception is that years which are multiples of 400 are indeed leap years. Hence, while 2100 is not a leap year, 2400 is.

During any year which is a multiple of 4, the M41T6x RTC will automatically insert leap day, February 29. Therefore, the application software must correct for this during the exception years (2100, 2200, etc.) as noted above.

3.4 Output driver pin

When the OFIE bit is not set to generate an interrupt, the $\overline{\text{OFIRQ}}/\text{OUT}$ pin becomes an output driver that reflects the contents of D7 of the calibration register. In other words, when D7 (OUT bit) is a '0,' then the $\overline{\text{OFIRQ}}/\text{OUT}$ pin will be driven low.

Note: The $\overline{\text{OFIRQ}}/\text{OUT}$ pin is an open drain which requires an external pull-up resistor.

3.5 Oscillator stop detection

In the event that the oscillator has either stopped, or was stopped for some period of time, and if the oscillator fail interrupt enable (OFIE) bit is set to a '1,' an interrupt will be generated. This interrupt can be used to judge the validity of the clock and date data.

The interrupt will be active any time the oscillator stops while V_{CC} is $\geq 1.0V$. The following conditions will cause the $\overline{\text{OFIRQ}}$ pin to be active:

- the ST bit is set to '1.'
- external interference or removal of the crystal.

The oscillator fail interrupt ($\overline{\text{OFIRQ}}$) will remain active until the OFIE bit is reset to '0,' or the oscillator restarts.

The oscillator must start and have run for at least 4 seconds before attempting to set the OFIE bit to '1.'

3.6 Initial power-on defaults

Upon initial application of power to the device, the OUT bit will be set to a '1,' while the ST, OFIE, and FT bits will be set to '0.' All other register bits will initially power-on in a random state.

4 Maximum ratings

Stressing the device above the rating listed in the absolute maximum ratings table may cause permanent damage to the device. These are stress ratings only and operation of the device at these or any other conditions above those indicated in the operating sections of this specification is not implied. Exposure to absolute maximum rating conditions for extended periods may affect device reliability.

Table 4. Absolute maximum ratings

Symbol	Parameter	Conditions ⁽¹⁾	Value ⁽²⁾	Unit
T _{STG}	Storage temperature (V _{CC} off, oscillator off)		–55 to 125	°C
V _{CC}	Supply voltage		–0.3 to 5.0	V
T _{SLD} ⁽³⁾	Lead solder temperature for 10 seconds		260	°C
V _{IO}	Input or output voltages		–0.2 to V _{CC} +0.3	V
I _O	Output current		20	mA
P _D	Power dissipation		1	W
V _{ESD(HBM)}	Electro-static discharge voltage (Human Body Model)	T _A = 25°C	>1500	V
V _{ESD(RCDM)}	Electro-static discharge voltage (Robotic Charged Device Model)	T _A = 25°C	>1000	V

1. Test conforms to JEDEC standard
2. Data based on characterization results, not tested in production
3. Reflow at peak temperature of 260 °C. The time above 255 °C must not exceed 30 seconds.

5 DC and AC parameters

This section summarizes the operating and measurement conditions, as well as the DC and AC characteristics of the device. The parameters in the following DC and AC characteristic tables are derived from tests performed under the measurement conditions listed in the relevant tables. Designers should check that the operating conditions in their projects match the measurement conditions when using the quoted parameters.

Table 5. Operating and AC measurement conditions

Parameter	M41T60
Supply voltage (V_{CC})	1.3 V to 4.4 V
Ambient operating temperature (T_A)	-40 to 85 °C
Load capacitance (C_L)	50 pF
Input rise and fall times	≤ 5 ns
Input pulse voltages	0.2 V_{CC} to 0.8 V_{CC}
Input and output timing ref. voltages	0.3 V_{CC} to 0.7 V_{CC}

Note: Output Hi-Z is defined as the point where data is no longer driven.

Figure 14. AC testing I/O waveform

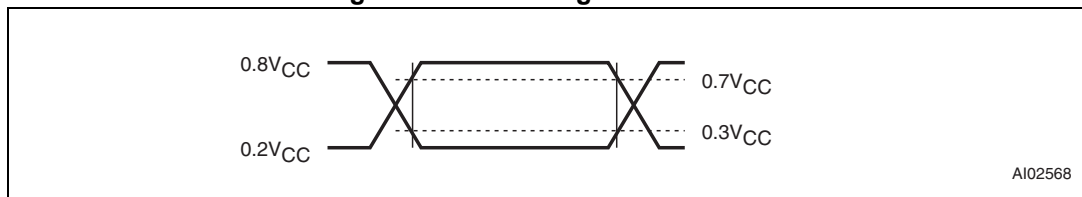
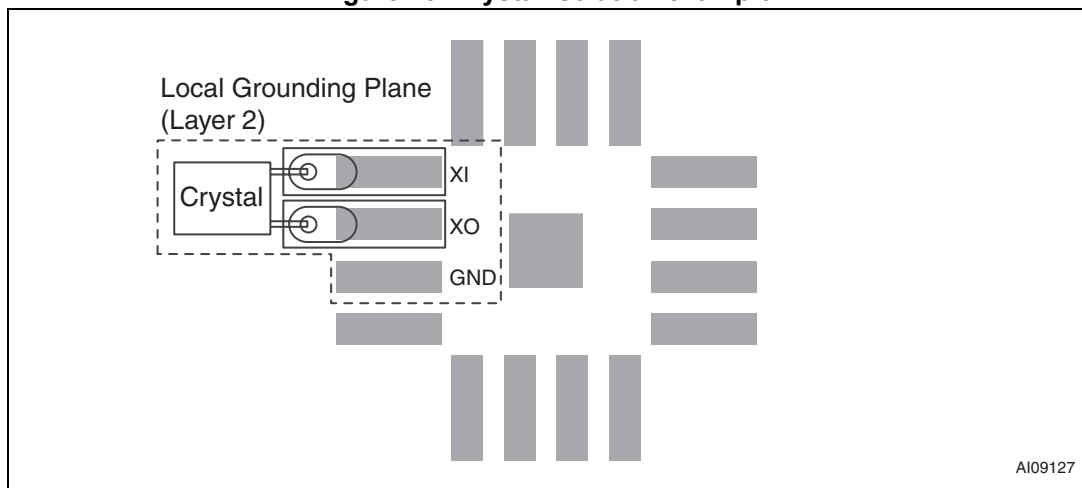


Figure 15. Crystal isolation example



Note: Substrate pad should be tied to V_{SS} .

Table 6. Capacitance

Symbol	Parameter ⁽¹⁾⁽²⁾	Min	Max	Unit
C _{IN}	Input capacitance (SCL)	-	7	pF
C _{OUT} ⁽³⁾	Output capacitance (SDA, OUT)	-	10	pF
t _{LP}	Low-pass filter input time constant (SDA and SCL)	-	50	ns

1. Effective capacitance measured with power supply at 3.6 V; sampled only, not 100% tested.
2. At 25 °C, f = 1 MHz.
3. Outputs deselected.

Table 7. DC characteristics

Symbol	Parameter	Test condition ⁽¹⁾	Min	Typ	Max	Unit	
V _{CC} ⁽²⁾	Operating voltage	Clock ⁽³⁾	1.0		4.4	V	
		I ² C bus (400 kHz)	1.3		4.4	V	
I _{CC1}	Supply current	SCL = 400 kHz (No load)	V _{CC} = 4.4 V			100	μA
			V _{CC} = 3.6 V		50	70	μA
			V _{CC} = 3.0 V		35		μA
			V _{CC} = 2.5 V		30		μA
			V _{CC} = 2.0 V		20		μA
I _{CC2}	Supply current (Standby)	SCL = 0 Hz All inputs ≥ V _{CC} - 0.2 V ≤ V _{SS} + 0.2 V	4.4 V			950	nA
			3.6 V		375	700	nA
			3.0 V at 25 °C		350		nA
			2.0 V at 25 °C		310		nA
V _{IL}	Input low voltage		-0.2		0.3 V _{CC}	V	
V _{IH}	Input high voltage		0.7 V _{CC}		V _{CC} + 0.3	V	
V _{OL}	Output low voltage	V _{CC} = 4.4 V, I _{OL} = 3 mA (SDA)			0.4	V	
		V _{CC} = 4.4 V, I _{OL} = 1 mA ($\overline{\text{OFIRQ}}/\text{OUT}$)			0.4	V	
	Pull-up supply voltage (open drain)	FT, $\overline{\text{OFIRQ}}/\text{OUT}$			4.4	V	
I _{LI}	Input leakage current	0 V ≤ V _{IN} ≤ V _{CC}	-1.0		+1.0	μA	
I _{LO}	Output leakage current	0 V ≤ V _{OUT} ≤ V _{CC}	-1.0		+1.0	μA	

1. Valid for ambient operating temperature: T_A = -40 to 85 °C; V_{CC} = 1.3 to 4.4 V (except where noted).
2. When using battery backup, V_{CC} fall time should not exceed 10 mV/μs.
3. Oscillator startup guaranteed at 1.5 V only.

Table 8. Crystal electrical characteristics

Symbol	Parameter ⁽¹⁾⁽²⁾	Min	Typ	Max	Unit
f ₀	Resonant frequency	-	32.768		kHz
R _S	Series resistance (T _A = -40 to 70°C, oscillator startup at 2.0 V)	-		75 ⁽³⁾⁽⁴⁾	kΩ
C _L	Load capacitance	-	6		pF

- For the QFN16 package, user-supplied, external crystals are required. The 6 and 7 pF crystals listed in [Table 9](#) below have been evaluated by ST and have been found to be satisfactory for use with the M41T6x series RTCs.
- Load capacitors are integrated within the M41T60. Circuit board layout considerations for the 32.768 kHz crystal of minimum trace lengths and isolation from RF generating signals should be taken into account.
- Guaranteed by design.
- R_{S (max)} = 65 kΩ for T_A = -40 to 85 °C and oscillator startup at 1.5 V.

Table 9. Crystals suitable for use with M41T6x series RTCs

Vendor	Order number	Package	Manufacturer's specifications			
			ESR max	Temp. range (°C)	Rated tolerance at 25 °C	Rated load cap.
Citizen	CMJ206T-32.768KDZB-UB	8.3 x 2.5 mm leaded SMT	50 kΩ	-40/+85	±20 ppm	6 pF
Citizen	CM315-32.768KDZY-UB	3.2 x 1.5 x 0.9 mm SMT	70 kΩ	-40/+85	±20 ppm	7 pF
Ecliptek	E4WCDA06-32.768K ⁽¹⁾	2.0 x 6.0 mm thru-hole	50 kΩ	-10/+60	±20 ppm	6 pF
Ecliptek	E5WSDC 07 - 32.768K	7 x 1.5 x 1.4 mm SMT	65 kΩ	-40/+85	±20 ppm	7 pF
ECS	ECS-.327-6-17X-TR	3.8 x 8.5 x 2.5 mm SMT	50 kΩ	-10/+60	±20 ppm	6 pF
ECS	ECS-.327-7-34B-TR	3.2 x 1.5 x 0.9 mm SMT	70 kΩ	-40/+85	±20 ppm	7 pF
ECS	ECS-.327-7-38-TR	7 x 1.5 x 1.4 mm SMT	65 kΩ	-40/+85	±20 ppm	7 pF
Epson	MC-146 32.7680KA-AG: ROHS ⁽²⁾	7 x 1.5 x 1.4 mm SMT	65 kΩ	-40/+85	±20 ppm	7 pF
Fox	298LF-0.032768-19	1.5 x 5.0 mm thru-hole	50 kΩ	-20/+60	±20 ppm	6 pF
Fox	299LF-0.032768-37	2.0 x 6.0 mm thru-hole	50 kΩ	-20/+60	±20 ppm	6 pF
Fox	414LF-0.032768-12	3.8 x 8.5 x 2.5 mm SMT	50 kΩ	-40/+85	±20 ppm	6 pF
Fox	501LF-0.032768-5	7 x 1.5 x 1.4 mm SMT	65 kΩ	-40/+85	±20 ppm	7 pF
Micro Crystal	MS3V-T1R 32.768KHZ 7PF 20PPM	6.7 x 1.4 mm leaded SMT	65 kΩ	-40/+85	±20 ppm	7 pF
Pletronics	SM20S - 32.768K - 6pF	3.8 x 8.5 x 2.5 mm SMT	50 kΩ	-40/+85	±20 ppm	6 pF
Seiko	SSPT7F-7PF20PPM	7 x 1.5 x 1.4 mm SMT	65 kΩ	-40/+85	±20 ppm	7 pF
Seiko	VT200F-6PF20PPM	2.0 x 6.0 mm thru-hole	50 kΩ	-10/+60	±20 ppm	6 pF

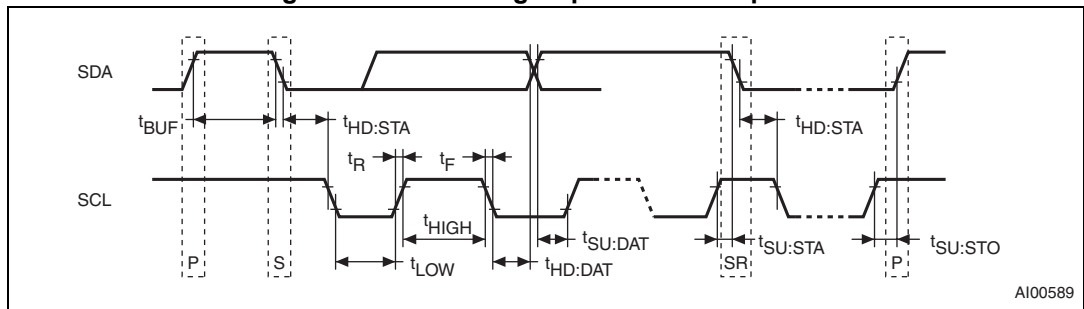
- ST has been informed that this crystal has been terminated by the vendor.
- Epson MC-146 32.7680KA-E: ROHS is 6 pF version.

Table 10. Oscillator characteristics

Symbol	Parameter	Conditions	Min	Typ	Max	Unit
V _{STA}	Oscillator start voltage	≤ 10 seconds	1.5			V
t _{STA}	Oscillator start time	V _{CC} = 3.0 V			1	s
C _g	XIN capacitance			12		pF
C _d	XOUT capacitance			12		pF
	IC-to-IC frequency variation ⁽¹⁾		-10		+10	ppm

1. Reference value. T_A = 25 °C, V_{CC} = 3.0 V, CMJ-145 (C_L = 6 pF, 32,768 Hz) manufactured by Citizen, C_L = C_g • C_d / (C_g + C_d)

Figure 16. Bus timing requirements sequence



Note: P = STOP and S = START

Table 11. AC characteristics

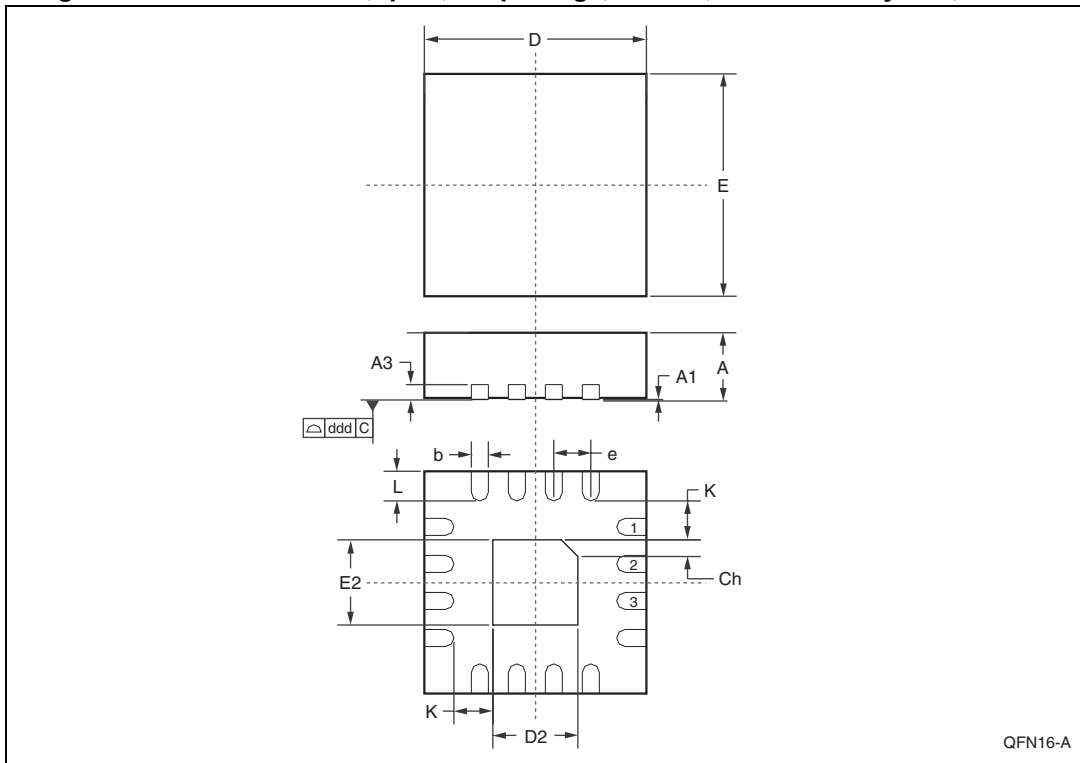
Symbol	Parameter ⁽¹⁾	Min	Max	Unit
f _{SCL}	SCL clock frequency	0	400	kHz
t _{LOW}	Clock low period	1.3		μs
t _{HIGH}	Clock high period	600		ns
t _R	SDA and SCL rise time		300	ns
t _F	SDA and SCL fall time		300	ns
t _{HD:STA}	START condition hold time (after this period the first clock pulse is generated)	600		ns
t _{SU:STA}	START condition setup time (only relevant for a repeated start condition)	600		ns
t _{SU:DAT}	Data setup time	100		ns
t _{HD:DAT} ⁽²⁾	Data hold time	0		μs
t _{SU:STO}	STOP condition setup time	600		ns
t _{BUF}	Time the bus must be free before a new transmission can start	1.3		μs

- Valid for ambient operating temperature: T_A = -40 to 85 °C; V_{CC} = 1.3 to 4.4 V (except where noted).
- Transmitter must internally provide a hold time to bridge the undefined region (300 ns max.) of the falling edge of SCL.

6 Package mechanical data

In order to meet environmental requirements, ST offers these devices in different grades of ECOPACK[®] packages, depending on their level of environmental compliance. ECOPACK[®] specifications, grade definitions and product status are available at: www.st.com. ECOPACK[®] is an ST trademark.

Figure 17. QFN16 – 16-lead, quad, flat package, no lead, 3 x 3 mm body size, outline

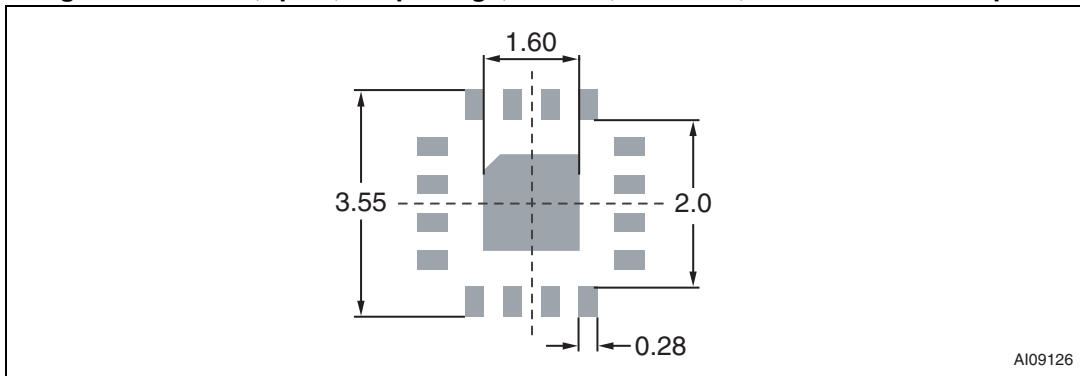


Note: Drawing is not to scale.

Table 12. QFN16 – 16-lead, quad, flat package, no lead, 3 x 3 mm body size, mechanical data

Dim	mm			inches		
	Typ	Min	Max	Typ	Min	Max
A	0.90	0.80	1.00	0.035	0.032	0.039
A1	0.02	0.00	0.05	0.001	0.000	0.002
A3	0.20	–	–	0.008	–	–
b	0.25	0.18	0.30	0.010	0.007	0.012
D	3.00	2.90	3.10	0.118	0.114	0.122
D2	1.70	1.55	1.80	0.067	0.061	0.071
E	3.00	2.90	3.10	0.118	0.114	0.122
E2	1.70	1.55	1.80	0.067	0.061	0.071
e	0.50	–	–	0.020	–	–
K	0.20	–	–	0.008	–	–
L	0.40	0.30	0.50	0.016	0.012	0.020
ddd	–	0.08	–	–	0.003	–
Ch	–	0.33	–	–	0.013	–
N	16			16		

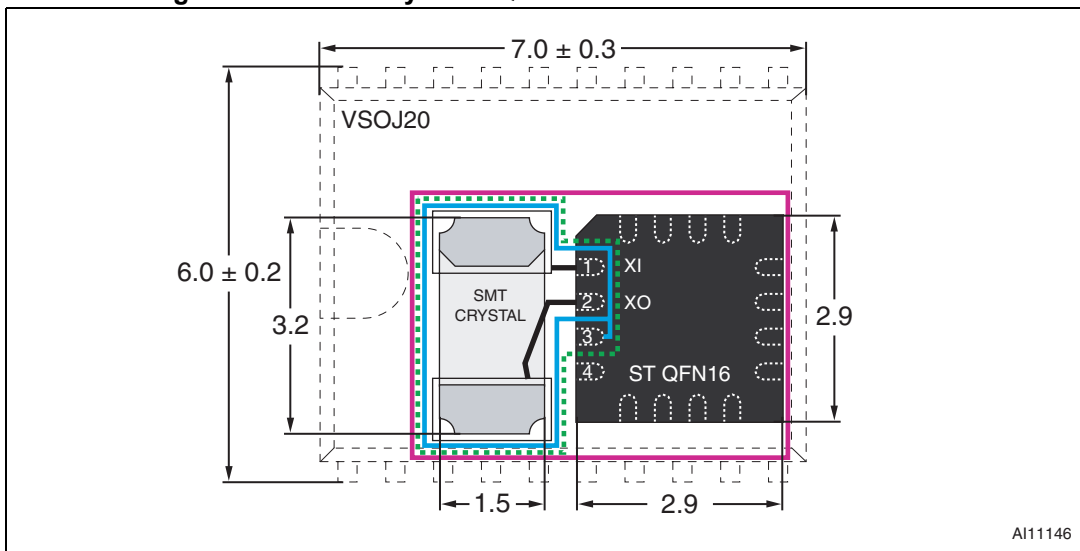
Figure 18. QFN16, quad, flat package, no lead, 3 x 3 mm, recommended footprint



AI09126

Note: Substrate pad should be tied to V_{SS} .

Figure 19. 32 KHz crystal + QFN16 vs. VSOJ20 mechanical data



AI11146

Note: Dimensions shown are in millimeters (mm).

7 Part numbering

Table 13. Ordering information scheme

Example:	M41T	60	Q	6	F
Device family					
M41T					
Device type and supply voltage					
60 = V _{CC} = 1.3 to 4.4 V					
Package					
Q = QFN16 (3 mm x 3 mm)					
Temperature range					
6 = -40 to 85 °C					
Shipping method					
F = ECOPACK [®] package, tape & reel					

For other options, or for more information on any aspect of this device, please contact the ST sales office nearest you.

8 Revision history

Table 14. Revision history

Date	Revision	Changes
13-Nov-2003	1	First issue
20-Nov-2003	1.1	Update characteristics (Figure 2, 3, 4 ; Table 1, 2, 5, 7, 11)
25-Dec-2003	2	Reformatted; add crystal isolation, footprint (Figure 12)
13-Jan-2004	2.1	Update characteristics (Figure 9, 10, 12 ; Table 7, 13)
26-Feb-2004	2.2	Update characteristics and mechanical dimensions (Figure 15, 18 ; Table 4, 7, 12)
02-Mar-2004	2.3	Update characteristics (Table 7)
26-Apr-2004	3	Reformat and republish
13-May-2004	4	Update characteristics (Table 7, 8 ; Figure 15, 18)
06-Aug-2004	5	Update characteristics (Figure 2 ; Table 7, 10)
25-Oct-2004	6	Document status promotion; update characteristics (Figure 1 ; Table 4, 7, 8, 10, 12)
20-Dec-2004	7	Corrected footprint; update characteristics (Figure 4, 18 ; Table 7)
05-May-2005	8	Add package comparison and mechanical data (Figure 19)
31-Oct-2005	9	Update: bus operating voltage, characteristics (Figure 4 ; Table 4, 7, 11, 13)
30-Nov-2005	10	Update ESD:HBM rating, crystal characteristics (Table 4, 8)
06-Jul-2006	11	New template
26-Jan-2010	12	Minor textual changes; updated footnote 3 of Table 4 ; updated footnote 1 of Table 8 ; added Table 9 ; updated Table 10, 11 , Section 3.1 ; added text to Section 6: Package mechanical data .
29-Apr-2010	13	Updated Table 9 ; minor textual change in Section 4 .
21-Feb-2013	14	Updated title of datasheet; updated Section 3.2: Century bits ; added Figure 13: Century bits CB1 and CB0 ; moved and modified Table 3: Examples using century bits ; added Section 3.3: Leap year ; added footnote 1 to Table 9: Crystals suitable for use with M41T6x series RTCs .

Please Read Carefully:

Information in this document is provided solely in connection with ST products. STMicroelectronics NV and its subsidiaries ("ST") reserve the right to make changes, corrections, modifications or improvements, to this document, and the products and services described herein at any time, without notice.

All ST products are sold pursuant to ST's terms and conditions of sale.

Purchasers are solely responsible for the choice, selection and use of the ST products and services described herein, and ST assumes no liability whatsoever relating to the choice, selection or use of the ST products and services described herein.

No license, express or implied, by estoppel or otherwise, to any intellectual property rights is granted under this document. If any part of this document refers to any third party products or services it shall not be deemed a license grant by ST for the use of such third party products or services, or any intellectual property contained therein or considered as a warranty covering the use in any manner whatsoever of such third party products or services or any intellectual property contained therein.

UNLESS OTHERWISE SET FORTH IN ST'S TERMS AND CONDITIONS OF SALE ST DISCLAIMS ANY EXPRESS OR IMPLIED WARRANTY WITH RESPECT TO THE USE AND/OR SALE OF ST PRODUCTS INCLUDING WITHOUT LIMITATION IMPLIED WARRANTIES OF MERCHANTABILITY, FITNESS FOR A PARTICULAR PURPOSE (AND THEIR EQUIVALENTS UNDER THE LAWS OF ANY JURISDICTION), OR INFRINGEMENT OF ANY PATENT, COPYRIGHT OR OTHER INTELLECTUAL PROPERTY RIGHT.

ST PRODUCTS ARE NOT AUTHORIZED FOR USE IN WEAPONS. NOR ARE ST PRODUCTS DESIGNED OR AUTHORIZED FOR USE IN: (A) SAFETY CRITICAL APPLICATIONS SUCH AS LIFE SUPPORTING, ACTIVE IMPLANTED DEVICES OR SYSTEMS WITH PRODUCT FUNCTIONAL SAFETY REQUIREMENTS; (B) AERONAUTIC APPLICATIONS; (C) AUTOMOTIVE APPLICATIONS OR ENVIRONMENTS, AND/OR (D) AEROSPACE APPLICATIONS OR ENVIRONMENTS. WHERE ST PRODUCTS ARE NOT DESIGNED FOR SUCH USE, THE PURCHASER SHALL USE PRODUCTS AT PURCHASER'S SOLE RISK, EVEN IF ST HAS BEEN INFORMED IN WRITING OF SUCH USAGE, UNLESS A PRODUCT IS EXPRESSLY DESIGNATED BY ST AS BEING INTENDED FOR "AUTOMOTIVE, AUTOMOTIVE SAFETY OR MEDICAL" INDUSTRY DOMAINS ACCORDING TO ST PRODUCT DESIGN SPECIFICATIONS. PRODUCTS FORMALLY ESCC, QML OR JAN QUALIFIED ARE DEEMED SUITABLE FOR USE IN AEROSPACE BY THE CORRESPONDING GOVERNMENTAL AGENCY.

Resale of ST products with provisions different from the statements and/or technical features set forth in this document shall immediately void any warranty granted by ST for the ST product or service described herein and shall not create or extend in any manner whatsoever, any liability of ST.

ST and the ST logo are trademarks or registered trademarks of ST in various countries.

Information in this document supersedes and replaces all information previously supplied.

The ST logo is a registered trademark of STMicroelectronics. All other names are the property of their respective owners.

© 2013 STMicroelectronics - All rights reserved

STMicroelectronics group of companies

Australia - Belgium - Brazil - Canada - China - Czech Republic - Finland - France - Germany - Hong Kong - India - Israel - Italy - Japan - Malaysia - Malta - Morocco - Philippines - Singapore - Spain - Sweden - Switzerland - United Kingdom - United States of America

www.st.com

Mouser Electronics

Authorized Distributor

Click to View Pricing, Inventory, Delivery & Lifecycle Information:

[STMicroelectronics:](#)

[M41T60Q6F](#)