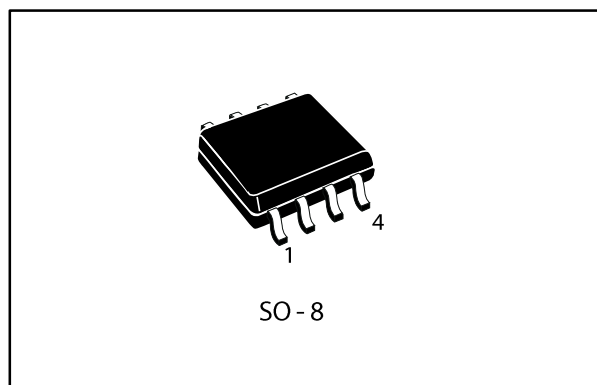


## 0.5 A high-side driver intelligent power switch

Datasheet - production data



### Features

- 0.5 A output current
- 8 to 35 V supply voltage range
- Internal current limit
- Non-dissipative short-circuit protection
- Thermal shutdown
- Undervoltage lockout with hysteresis
- Internal negative voltage clamping for fast demagnetization
- Differential inputs with large common mode range and threshold hysteresis
- Open load detection
- Two diagnostic outputs
- Open ground protection

- Output status LED driver
- Immunity against burst transient (IEC 61000-4-4)
- ESD protection (human body model  $\pm 2$  kV)

### Description

The L6375S is a monolithic intelligent power switch in multipower BCD technology to drive inductive, capacitive or resistive loads with controlled output voltage slew rate and short-circuit protection. An internal clamping diode enables the fast demagnetization of inductive loads. Diagnostic for CPU feedback and extensive use of electrical protections make this device robust and suitable for industrial automation applications.

**Table 1: Device summary**

Order code	Temperature range	Package	Packing
L6375S	-25 to +125 °C	SO-8	Tube
L6375STR			Tape and reel

**Contents**

**1 Pin connections..... 5**

**2 Maximum ratings ..... 6**

**3 Electrical characteristics ..... 7**

    3.1 Schematic diagram ..... 9

    3.2 Input section..... 10

    3.3 Overtemperature protection ..... 10

    3.4 Undervoltage protection ..... 10

    3.5 Overcurrent operation ..... 10

    3.6 Diagnostic logic ..... 11

    3.7 Demagnetization of inductive loads..... 11

    3.8 Diagnostic truth table ..... 12

**4 Application circuits ..... 13**

**5 Package information ..... 15**

    5.1 SO-8 package information ..... 15

    5.2 SO-8 packing information..... 17

**6 Revision history ..... 19**



---

## List of tables

Table 1: Device summary .....	1
Table 2: Pin description .....	5
Table 3: Absolute maximum ratings .....	6
Table 4: Thermal data.....	6
Table 5: Electrical characteristics .....	7
Table 6: Diagnostic truth table .....	12
Table 7: SO-8 package mechanical data.....	15
Table 8: SO-8 tape and reel mechanical data .....	17
Table 9: SO-8 tube mechanical data .....	18
Table 10: Document revision history .....	19

---

## List of figures

Figure 1: Pin connections (top view).....	5
Figure 2: Block diagram.....	9
Figure 3: Switching waveforms.....	9
Figure 4: Short-circuit operation waveforms.....	11
Figure 5: Input comparator hysteresis.....	13
Figure 6: External demagnetization circuit (versus ground).....	13
Figure 7: External demagnetization circuit (versus VS).....	13
Figure 8: Application schematic.....	14
Figure 9: SO-8 package outline.....	15
Figure 10: SO-8 recommended footprint.....	16
Figure 11: SO-8 tape and reel outline.....	17
Figure 12: SO-8 tube outline.....	18

# 1 Pin connections

Figure 1: Pin connections (top view)

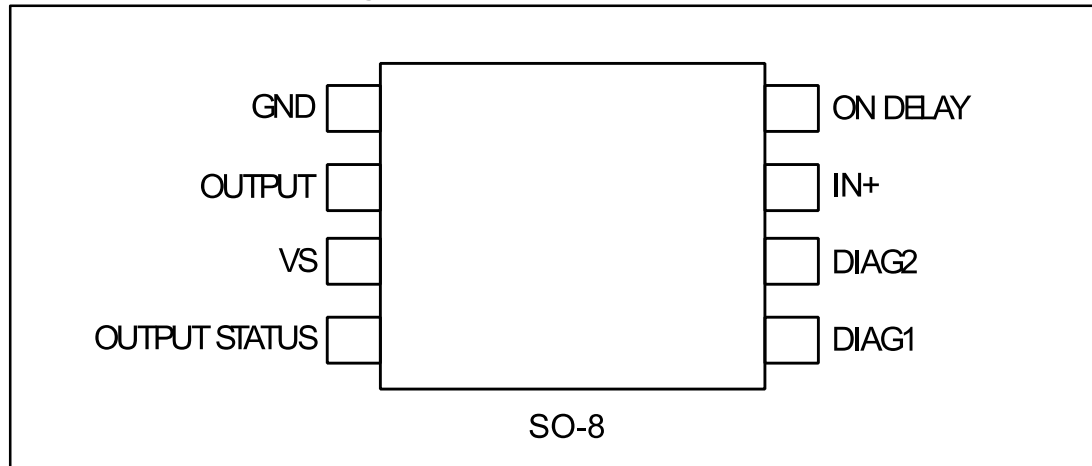


Table 2: Pin description

Pin	Pin name	Function
1	GND	Ground
2	OUTPUT	High-side output with built-in current limitation
3	VS	Supply voltage range with undervoltage monitoring
4	Output status	This current source output can drive a LED to signal the status of the output pin. The pin is active (source current) when the output pin is high
5	DIAG1	Diagnostic1 output. This open drain reports the IC working conditions
6	DIAG2	Diagnostic2 output. This open drain reports the IC working conditions
7	IN+	Comparator inverting input
8	ON DELAY	Programmable ON time interval duration during short-circuit operation

## 2 Maximum ratings

**Table 3: Absolute maximum ratings**

Symbol	Parameter	Value	Unit
V <sub>s</sub>	Supply voltage (tw ≤ 10 ms)	50	V
	Supply voltage (DC)	40	V
V <sub>S</sub> - V <sub>OUT</sub>	Supply to output differential voltage	Internally limited	V
V <sub>od</sub>	ON DELAY pin voltage	-0.3 to 7	V
I <sub>od</sub>	ON DELAY pin current	± 1	mA
I <sub>out</sub>	Output current	Internally limited	A
V <sub>out</sub>	Output voltage	Internally limited	V
E <sub>i</sub>	Energy inductive load: T <sub>J</sub> = 85 °C	200	mJ
P <sub>tot</sub>	Power dissipation	Internally limited	W
V <sub>diag</sub>	DIAGx pin voltage	-0.3 to 40	V
I <sub>diag</sub>	DIAGx pin current	-10 to 10	mA
I <sub>i</sub>	IN+ pin current	20	mA
V <sub>i</sub>	IN+ pin voltage	-10 to V <sub>s</sub> +0.3	V
T <sub>op</sub>	Ambient temperature, operating range	-25 to 85	°C
T <sub>J</sub>	Junction tmperature, operating range	-25 to 125	°C
T <sub>stg</sub>	Storage temperature	-55 to 150	°C

**Table 4: Thermal data**

Symbol	Parameter	Value	Unit
R <sub>th(JA)</sub>	Thermal resistance junction-ambient	100 max. <sup>(1)</sup>	°C/W
R <sub>th(JP)</sub>	Thermal resistance junction-pins	15 max.	

**Notes:**

<sup>(1)</sup>When mounted on a standard single-sided FR-4 board with 0.5 cm<sup>2</sup> of Cu (at least 35 μm thick) connected to all VCC pins. Horizontal mounting and no artificial air flow.

### 3 Electrical characteristics

$V_S = 24\text{ V}$ ;  $T_J = -25\text{ to }125\text{ }^\circ\text{C}$ , unless otherwise specified.

**Table 5: Electrical characteristics**

Symbol	Parameter	Test conditions	Min.	Typ.	Max.	Unit
$V_{smin}$	Supply voltage for valid diagnostic	$I_{diag} \geq 0.5\text{ mA}$ ; $V_{diag} = 1.5\text{ V}$	4		35	V
$V_S$	Operative supply voltage		8	24	35	V
$V_{sth1}$	Undervoltage threshold 1		7	7.5	8	V
$V_{sth2}$	Undervoltage threshold 2		6.5	7	7.5	V
$V_{shys}$	Undervoltage hysteresis		300	500	700	mV
$I_q$	Quiescent current	Output open		800		$\mu\text{A}$
$I_{qo}$		Output on		1.6		mA
$V_{ith}$	IN+ pin threshold voltage		0.8	1.3	2	V
$V_{iths}$	IN+ pin threshold hysteresis		50		400	mV
$V_{il}$	IN+ pin low level voltage		-7		0.8	V
$V_{ih}$	IN+ pin high level voltage	$V_S < 18\text{ V}$	2		$V_S - 3$	V
		$V_S > 18\text{ V}$	2		15	
$I_{ib}$	IN+ pin bias current	$V_i = -7\text{ to }15\text{ V}$	-250		250	$\mu\text{A}$
$I_{dch}$	Delay capacitor charging current	ON DELAY pin shorted-to-ground		2.5		$\mu\text{A}$
$V_{don}$	Output voltage drop	$I_{out} = 500\text{ mA}$ ; $T_J = 25\text{ }^\circ\text{C}$		200	280	mV
		$T_J = 125\text{ }^\circ\text{C}$		320	440	
		$I_{out} = 625\text{ mA}$ ; $T_J = 25\text{ }^\circ\text{C}$		250	350	
		$T_J = 125\text{ }^\circ\text{C}$		400	550	
$I_{olk}$	Output leakage current	$V_i = \text{low}$ ; $V_{out} = 0$			100	$\mu\text{A}$
$V_{ol}$	Output low-state voltage	$V_i = \text{high}$ ; pin floating		0.8	1.5	V
$V_{cl}$	Internal voltage clamp ( $V_S - V_{out}$ )	$I_o = 200\text{ mA}$ single Pulsed = 300 ms	48	53	58	V
$I_{sc}$	Short-circuit output current	$V_S = 8\text{ to }35\text{ V}$ ; $R_l = 2\text{ }\Omega$	0.75	1.1	1.5	A
$I_{old}$	Open load detection current	$V_i = V_{ih}$ ; $T_A = 0\text{ to }+85\text{ }^\circ\text{C}$	1	3	6	mA
$V_{oth1}$	Output status threshold 1 voltage		4.5	5	5.5	V

Symbol	Parameter	Test conditions	Min.	Typ.	Max.	Unit
$V_{oth2}$	Output status threshold 2 voltage		4	4.5	5	V
$V_{ohys}$	Output status threshold hysteresis		300	500	700	mV
$I_{osd}$	Output status source current	$V_{out} > V_{oth1}$ ; $V_{OS} = 2.5$ V	2		4	mA
$V_{osd}$	Active output status driver drop voltage	$V_S - V_{OS}$ ; $I_{OS} = 2$ mA; $T_A = 0$ to $+85$ °C		1.5	3	V
$I_{oslk}$	Output status driver leakage current	$V_{out} < V_{oth2}$ ; $V_{OS} = 0$ V; $V_S = 18$ to 35 V			25	$\mu$ A
$V_{dgl}$	Diagnostic drop voltage	D1 / D2 = L; $I_{diag} = 0.5$ mA		40		mV
		D1 / D2 = L; $I_{diag} = 3$ mA		250		
$I_{dglk}$	Diagnostic leakage current	D1 / D2 = H; $0 < V_{dg} < V_S$ $V_S = 15.6$ to 35 V			5	$\mu$ A
$T_{max.}$	Overtemperature upper threshold			150		°C
$T_{hys}$	Overtemperature hysteresis			20		°C
<b>AC operation</b>						
$t_r$ - $t_f$	Rise or fall time	$V_S = 24$ V; $R_i = 70$ $\Omega$ ; $R_i$ to ground		20		$\mu$ s
$t_d$	Delay time			5		
dV/dt	Slew rate (rising and falling edge)		0.7	1	1.5	V/ $\mu$ s
$t_{ON}$	On-time during short-circuit condition	$50$ pF $< C_{DON} < 2$ nF		1.28		$\mu$ s/pF
$t_{OFF}$	Off-time during short-circuit condition			64		$t_{ON}$
$f_{max.}$	Maximum operating frequency			25		kHz
<b>Source drain NDMOS diode</b>						
$V_{fsd}$	Forward on voltage	$I_{fsd} = 625$ mA		1	1.5	V
$I_{fp}$	Forward peak current	$t_p = 10$ ms; duty cycle = 20%			2	A
$t_{rr}$	Reverse recovery time	$I_{fsd} = 625$ mA; $dI_{fsd}/dt = 25$ A/ $\mu$ s		200		ns
$t_{fr}$	Forward recovery time			50		ns





### 3.2 Input section

A single ended input TTL/CMOS compatible with a wide voltage range and high noise immunity (thanks to a built-in hysteresis) is available.

### 3.3 Overtemperature protection

On-chip overtemperature protection provides an excellent protection of the device in extreme conditions. Whenever the temperature, measured on a central portion of the chip, exceeds  $T_{max.} = 150\text{ °C}$  (typical value) the device shuts down, and the DIAG2 output goes low. Normal operation is resumed as the chip temperature (normally after few seconds) falls below  $T_{max.} - T_{hys} = 130\text{ °C}$  (typical value). The hysteresis avoids that an intermittent behavior occurs.

### 3.4 Undervoltage protection

The supply voltage operates correctly in a range from 8 to 35 V. Below 8 V the overall system has to be considered not reliable. To avoid any malfunctioning, the supply voltage is continuously monitored to provide an undervoltage protection. As  $V_s$  falls below  $V_{sth} - V_{shys}$  (typically 7.5 V) the output power MOSFET switches off and DIAG1 and DIAG2 output go low. Normal operation is resumed as soon as  $V_s$  exceeds  $V_{sth}$ . The hysteretic behavior prevents intermittent operation at low supply voltage.

### 3.5 Overcurrent operation

In order to implement a short-circuit protection, the output power MOSFET is driven to linear mode to limit the output current to the  $I_{sc}$  value (1.1 A typical value).

This condition (current limited to the  $I_{sc}$  value) lasts for a  $T_{ON}$  time interval that can be set by a capacitor ( $C_{DON}$ ) connected to the ON DELAY pin according to the following formula:

**Equation 1:**

$$t_{ON} = 1.28\ \mu\text{s/pF for } 50\ \text{pF} < C_{DON} < 2\ \text{nF}$$

After the  $t_{ON}$  interval has expired the output power MOSFET switches off for the  $t_{OFF}$  time interval:

**Equation 2:**

$$t_{OFF} = 64 \cdot t_{ON}$$



### 3.8 Diagnostic truth table

Table 6: Diagnostic truth table

Diagnostic conditions	Input	Output	DIAG1	DIAG2
Normal operation	L	L	H	H
	H	H	H	H
Open load condition ( $I_o < I_{old}$ )	L	L	H	H
	H	H	L	H
Short to $V_S$	L	H	L	H
	H	H	L	H
Short-circuit to ground ( $I_o = I_{sc}$ ) <sup>a</sup> (ON DELAY pin grounded)	H	X	H	H
	L	L	H	H
Output DMOS open	L	L	H	H
	H	L	L	H
Overtemperature	L	L	H	L
	H	L	H	L
Supply undervoltage ( $V_S < V_{sth2}$ )	L	L	L	L
	H	L	L	L

<sup>a</sup> A cold lamp filament or a capacitive load activates the current limiting circuit of the IPS, when the IPS is initially turned on.

# 4 Application circuits

Figure 5: Input comparator hysteresis

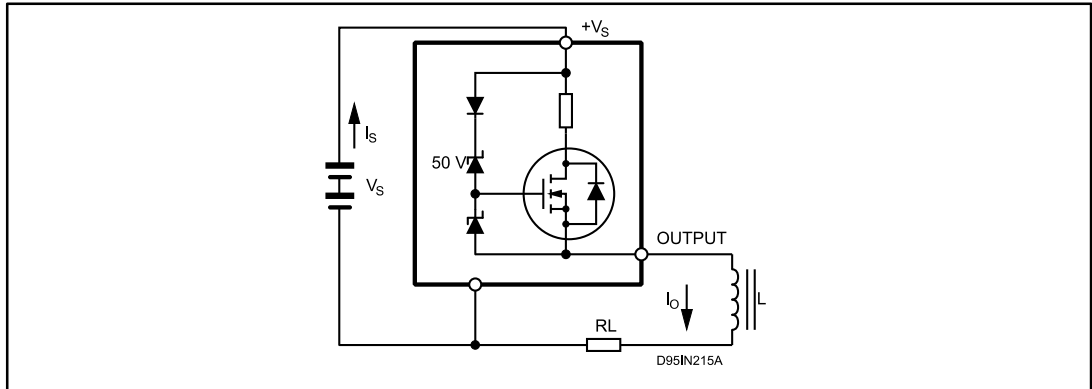


Figure 6: External demagnetization circuit (versus ground)

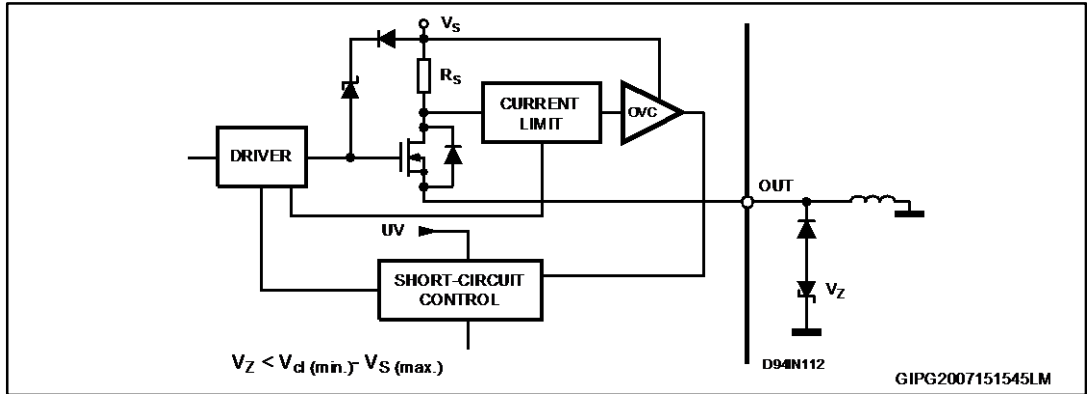


Figure 7: External demagnetization circuit (versus VS)

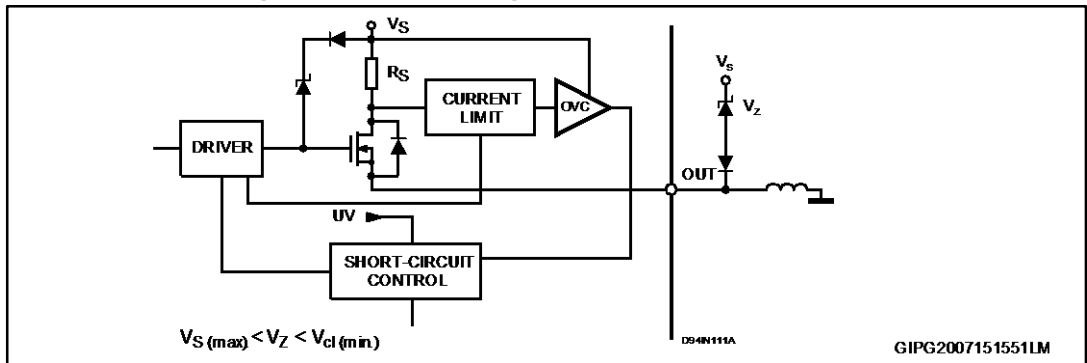
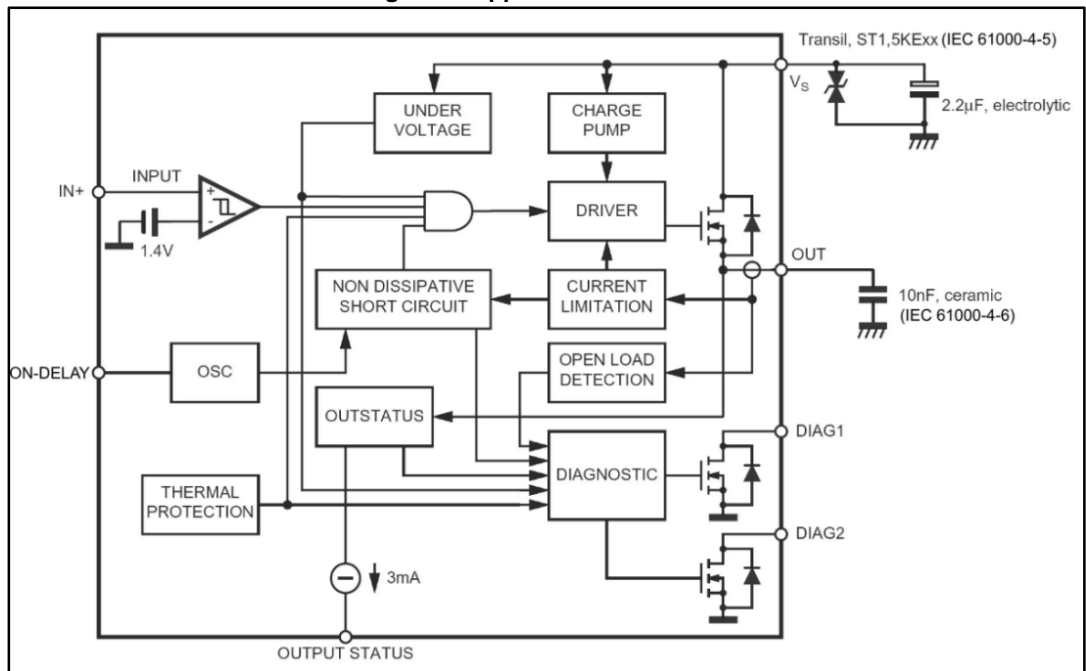


Figure 8: Application schematic



## 5 Package information

In order to meet environmental requirements, ST offers these devices in different grades of ECOPACK® packages, depending on their level of environmental compliance. ECOPACK® specifications, grade definitions and product status are available at: [www.st.com](http://www.st.com). ECOPACK® is an ST trademark.

### 5.1 SO-8 package information

Figure 9: SO-8 package outline

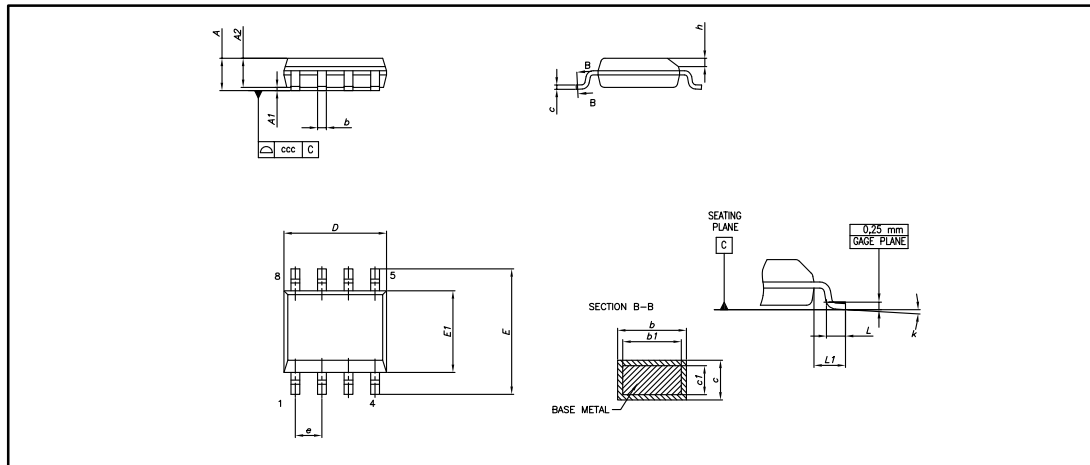
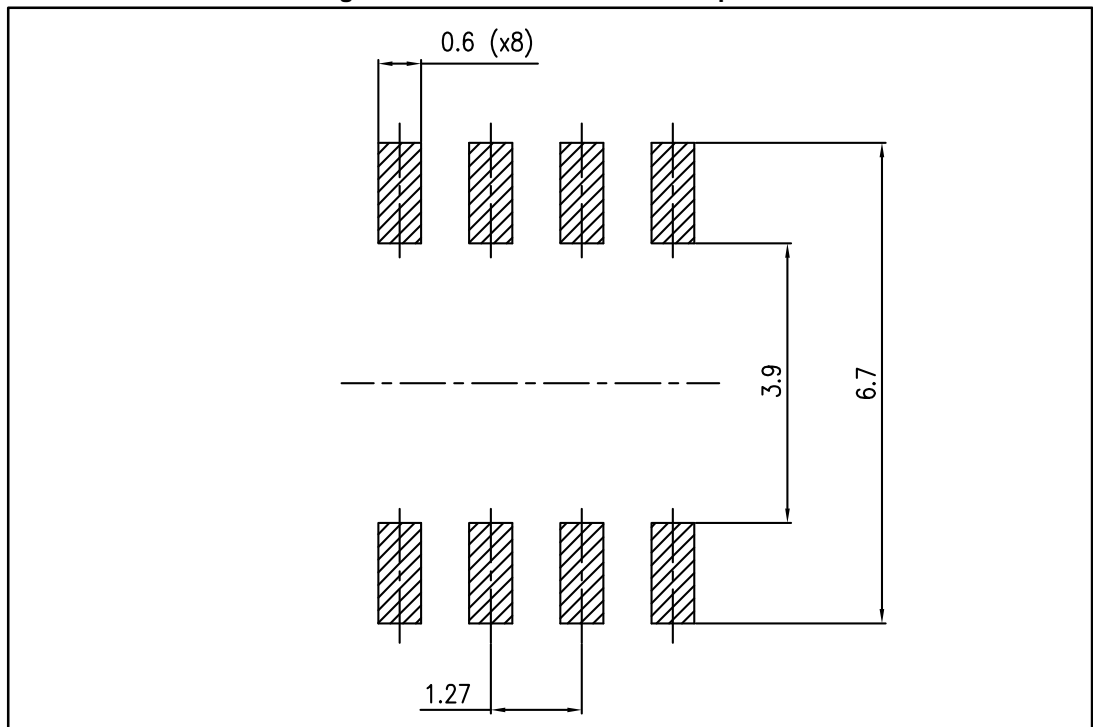


Table 7: SO-8 package mechanical data

Dim.	mm		
	Min.	Typ.	Max.
A			1.75
A1	0.10		0.25
A2	1.25		
b	0.28		0.48
c	0.17		0.23
D	4.80	4.90	5.00
E	5.80	6.00	6.20
E1	3.80	3.90	4.00
e		1.27	
h	0.25		0.50
L	0.40		1.27
L1		1.04	
k	0°		8°
ccc			0.10

Figure 10: SO-8 recommended footprint





## 5.2 SO-8 packing information

Figure 11: SO-8 tape and reel outline

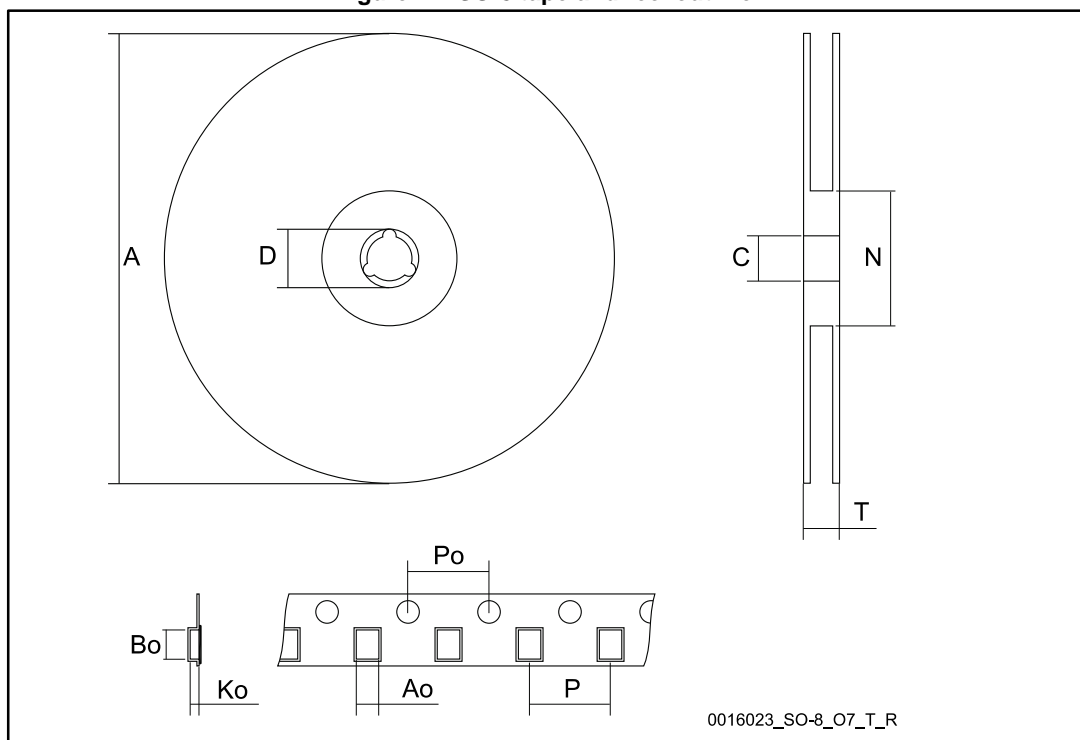


Table 8: SO-8 tape and reel mechanical data

Dim.	mm		
	Min.	Typ.	Max.
A			330
C	12.8		13.2
D	20.2		
N	60		
T			22.4
Ao	8.1		8.5
Bo	5.5		5.9
Ko	2.1		2.3
Po	3.9		4.1
P	7.9		8.1

Figure 12: SO-8 tube outline

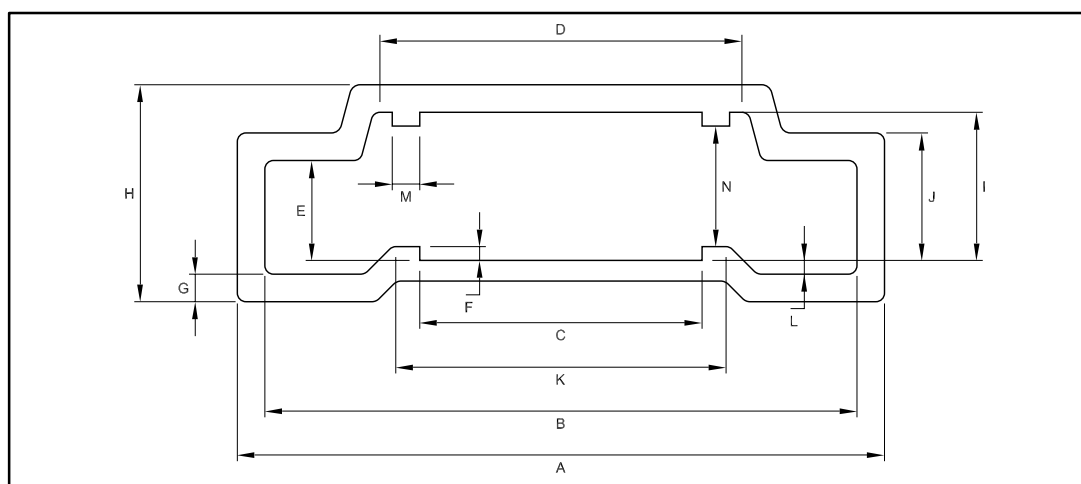


Table 9: SO-8 tube mechanical data

Dim.	mm
A	18.80
B	17.2 ± 0.2
C	8.20 ± 0.2
D	10.90 ± 0.2
E	2.90 ± 0.2
F	0.40
G	0.80
H	6.30
I	4.30 ± 0.2
J	3.7 ± 0.2
K	9.4
L	0.40
M	0.80
N	3.50 ± 0.2

## 6 Revision history

Table 10: Document revision history

Date	Revision	Changes
18-Sep-2006	1	Initial release.
19-Jun-2007	2	Truth table updated
05-Jul-2007	3	Typo in Table 5
16-Jul-2007	4	Updated pinout
15-Oct-2007	5	Updated table 4
29-Jun-2009	6	Updated table 5
12-Mar-2010	7	Updated table 5
20-Dec-2011	8	Updated table 5
23-Feb-2016	9	Changed <i>Figure 1: "Pin connections (top view)"</i> . Updated <i>Table 3: "Absolute maximum ratings"</i> and <i>Table 5: "Electrical characteristics"</i> .

**IMPORTANT NOTICE – PLEASE READ CAREFULLY**

STMicroelectronics NV and its subsidiaries ("ST") reserve the right to make changes, corrections, enhancements, modifications, and improvements to ST products and/or to this document at any time without notice. Purchasers should obtain the latest relevant information on ST products before placing orders. ST products are sold pursuant to ST's terms and conditions of sale in place at the time of order acknowledgement.

Purchasers are solely responsible for the choice, selection, and use of ST products and ST assumes no liability for application assistance or the design of Purchasers' products.

No license, express or implied, to any intellectual property right is granted by ST herein.

Resale of ST products with provisions different from the information set forth herein shall void any warranty granted by ST for such product.

ST and the ST logo are trademarks of ST. All other product or service names are the property of their respective owners.

Information in this document supersedes and replaces information previously supplied in any prior versions of this document.

© 2016 STMicroelectronics – All rights reserved

# Mouser Electronics

Authorized Distributor

Click to View Pricing, Inventory, Delivery & Lifecycle Information:

[STMicroelectronics:](#)

[L6375STR](#) [L6375S](#)