



GS2978 HD-LINX® III Multi-Rate Dual Slew-Rate Cable Driver

Features

- SMPTE 424M, SMPTE 292M, SMPTE 344M and SMPTE 259M compliant
- Dual coaxial cable driving outputs with selectable slew rate
- 50Ω differential PECL input
- Pb-free and RoHS compliant
- Seamless interface to other HD-LINX® III family products
- Single 3.3V power supply operation
- Operating temperature range: 0°C to 70°C

Applications

- SMPTE 424M, SMPTE 292M, SMPTE 344M and SMPTE 259M Coaxial Cable Serial Digital Interfaces.

Description

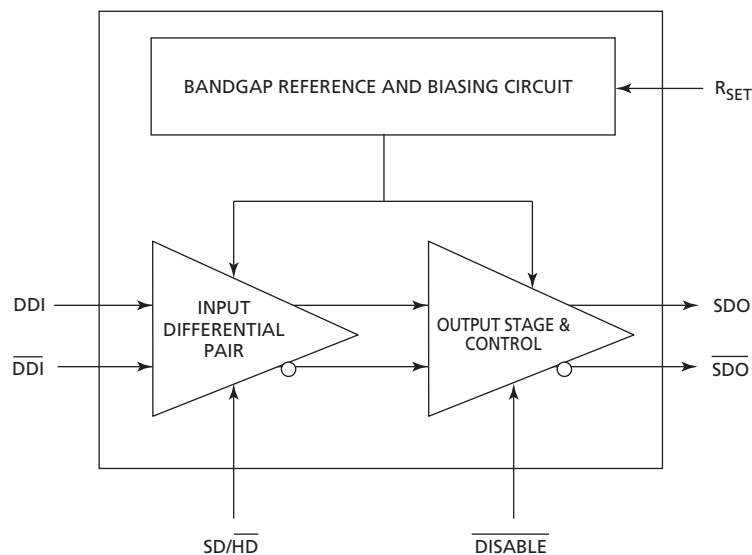
The GS2978 is a high-speed BiCMOS integrated circuit designed to drive one or two 75Ω co-axial cables.

The GS2978 may drive data rates up to 2.97Gb/s and provides two selectable slew rates in order to achieve compliance to SMPTE 424M, SMPTE 259M, SMPTE 344M and SMPTE 292M.

The GS2978 accepts a LVPECL level differential input that may be AC coupled. External biasing resistors at the inputs are not required.

Power consumption is typically 168mW using a 3.3V power supply. The GS2978 is Pb-free, and the encapsulation compound does not contain halogenated flame retardant.

This component and all homogeneous subcomponents are RoHS compliant.



Functional Block Diagram

Revision History

| Version | ECR | PCN | Date | Changes and/or Modifications |
|---------|--------|-------|----------------|---|
| 7 | 151357 | – | March 2009 | Added 2.5k reel option to section 6.6 Ordering Information. Added maximum power consumption value to Table 2-1: DC Electrical Characteristics. |
| 6 | 150277 | – | August 2008 | Updated data sheet format. Added Tape & Reel Part Number to 6.6 Ordering Information. |
| 5 | 147849 | – | October 2007 | Changed minimum value of differential input signal amplitude in Section 4.1. |
| 4 | 147552 | – | September 2007 | Changed Input Voltage Swing in Table 2-2: AC Electrical Characteristics. |
| 3 | 146309 | – | July 2007 | Corrected part number typo in Ordering Information on page 14. |
| 2 | 144827 | 41693 | April 2007 | Added Table 4-1: RSET vs. VOD. |
| 1 | 142318 | – | November 2006 | Converting to Data Sheet. Added section 6.4 Solder Reflow Profiles. Added typical ORL values in AC Electrical Characteristics. |
| 0 | 140608 | – | May 2006 | Changed to Preliminary Data Sheet. Removed references to trial publication for SMPTE 424M. Modified I_{IH}/I_{IL} conditions to 10 μ A in DC Electrical Characteristics and additive jitter in AC Electrical Characteristics. Added section 4.3 Output Return Loss Measurement. |
| B | 139766 | – | March 2006 | Corrected pad standoff height and tolerances for pad width & package dimension. Corrected pad shape. |
| A | 138454 | – | February 2006 | New document. |

Contents

| | |
|--|----|
| Features..... | 1 |
| Applications..... | 1 |
| Description..... | 1 |
| Revision History | 2 |
| 1. Pin Out..... | 4 |
| 1.1 Pin Assignment | 4 |
| 1.2 Pin Descriptions | 4 |
| 2. Electrical Characteristics | 5 |
| 2.1 Absolute Maximum Ratings | 5 |
| 2.2 DC Electrical Characteristics | 5 |
| 2.3 AC Electrical Characteristics | 6 |
| 3. Input/Output Circuits | 7 |
| 4. Detailed Description..... | 8 |
| 4.1 Input Interfacing | 8 |
| 4.2 Output Interfacing | 8 |
| 4.2.1 Output Amplitude (RSET) | 9 |
| 4.2.2 Output Disable..... | 9 |
| 4.3 Output Return Loss Measurement | 9 |
| 5. Application Information | 10 |
| 5.1 PCB Layout | 10 |
| 5.2 Typical Application Circuit | 10 |
| 6. Package & Ordering Information..... | 11 |
| 6.1 Package Dimensions | 11 |
| 6.2 Recommended PCB Footprint | 12 |
| 6.3 Packaging Data | 12 |
| 6.4 Solder Reflow Profiles | 13 |
| 6.5 Marking Diagram | 14 |
| 6.6 Ordering Information | 14 |

1. Pin Out

1.1 Pin Assignment

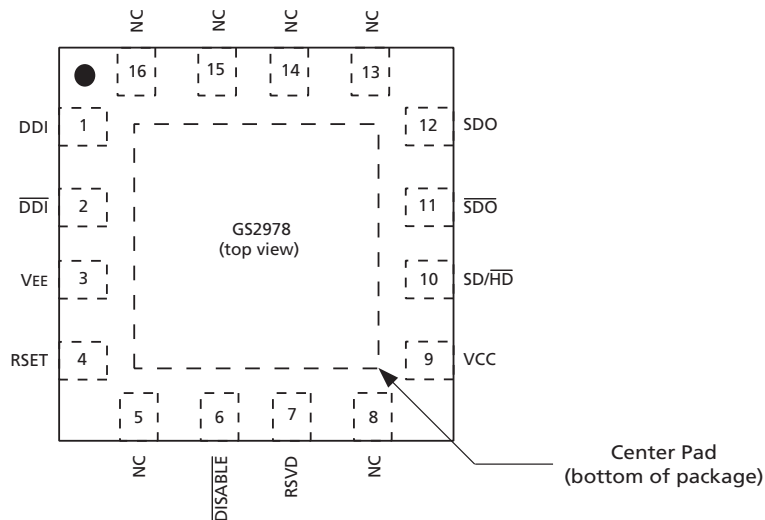


Figure 1-1: 16-Pin QFN

1.2 Pin Descriptions

Table 1-1: Pin Descriptions

| Pin Number | Name | Timing | Type | Description |
|---------------------|----------------------------------|-----------------|----------|--|
| 1,2 | DDI, $\overline{\text{DDI}}$ | Analog | Input | Serial digital differential input. |
| 3 | V_{EE} | – | Power | Most negative power supply connection. Connect to GND. |
| 4 | R_{SET} | Analog | Input | External output amplitude control resistor. |
| 5,8,13,14, 15,16 | NC | – | – | No Connect. Not bonded internally. |
| 7 | RSVD | – | Reserved | Do not connect. |
| 6 | $\overline{\text{DISABLE}}$ | Non Synchronous | Input | Serial output disable. When asserted LOW, the $\text{SDO}/\overline{\text{SDO}}$ output driver is powered off. $\text{SDO}/\overline{\text{SDO}}$ will float to V_{CC} through the pull-up resistor. |
| 9 | V_{CC} | – | Power | Most positive power supply connection. Connect to +3.3V. |
| 10 | $\text{SD}/\overline{\text{HD}}$ | Non Synchronous | Input | Output slew rate control. When set HIGH, the output will meet SMPTE 259M rise/fall time specifications. When set LOW, the serial outputs will meet SMPTE424M and SMPTE 292M rise/fall time specifications. |

Table 1-1: Pin Descriptions

| Pin Number | Name | Timing | Type | Description |
|------------|------------------------|--------|--------|---|
| 11,12 | \overline{SDO} , SDO | Analog | Output | Serial digital differential output. |
| – | Center Pad | – | Power | Connect to most negative power supply plane following the recommendations in Recommended PCB Footprint on page 12 . |

2. Electrical Characteristics

2.1 Absolute Maximum Ratings

| Parameter | Value |
|---------------------------------|---------------------------------|
| Supply Voltage | -0.5V to 3.6 V _{DC} |
| Input ESD Voltage | 4kV |
| Storage Temperature Range | -50°C < T _s < 125°C |
| Input Voltage Range (any input) | -0.3 to (V _{CC} +0.3)V |
| Operating Temperature Range | 0°C to 70°C |
| Solder Reflow Temperature | 260°C |

NOTE: Absolute Maximum Ratings are those values beyond which damage to the device may occur. Functional operation under these conditions or at any other condition beyond those indicated in the AC/DC Electrical Characteristic sections is not implied.

2.2 DC Electrical Characteristics

Table 2-1: DC Electrical Characteristics

V_{CC} = 3.3V ±5%; T_A = 0°C to 70°C, unless otherwise shown

| Parameter | Symbol | Conditions | Min | Typ | Max | Units |
|-------------------|--------------------|--|-------|------------------------------------|-------|-------|
| Supply Voltage | V _{CC} | – | 3.135 | 3.3 | 3.465 | V |
| Power Consumption | P _D | T _A = 25°C, SDO/ \overline{SDO} enabled | – | 168 | 180 | mW |
| | | T _A = 25°C, SDO/ \overline{SDO} disabled | – | 96 | – | mW |
| Supply Current | I _s | T _A = 25°C, SDO/ \overline{SDO} enabled | – | 51 | – | mA |
| | | T _A = 25°C, SDO/ \overline{SDO} disabled | – | 29 | – | mA |
| Output Voltage | V _{CMOUT} | Common mode | – | V _{CC} - V _{OUT} | – | V |

Table 2-1: DC Electrical Characteristics

$V_{CC} = 3.3V \pm 5\%$; $T_A = 0^\circ C$ to $70^\circ C$, unless otherwise shown

| Parameter | Symbol | Conditions | Min | Typ | Max | Units |
|--|---------------|------------------------|--------------------------|-----|-----------------------------|-------|
| Input Voltage | $V_{C_{MIN}}$ | Common mode | $1.4 + \Delta V_{DDI}/2$ | – | $V_{CC} - \Delta V_{DDI}/2$ | V |
| SD/ \overline{HD} , $\overline{DISABLE}$ Input | V_{IH} | $I_{IH} \leq 10 \mu A$ | 2.0 | – | – | V |
| | V_{IL} | $I_{IL} \leq 10 \mu A$ | – | – | 0.8 | V |

2.3 AC Electrical Characteristics

Table 2-2: AC Electrical Characteristics

$V_{CC} = 3.3V \pm 5\%$; $T_A = 0^\circ C$ to $70^\circ C$, unless otherwise shown

| Parameter | Symbol | Conditions | Min | Typ | Max | Units | Notes |
|----------------------------|--------------------------|------------------------------------|-----|-----|------|-------------------|-------|
| Serial input data rate | DR_{SDO} | – | – | – | 2.97 | Gb/s | 1 |
| Additive jitter | – | 2.97Gb/s | – | 22 | – | ps _{p-p} | – |
| | – | 1.485Gb/s | – | 20 | – | ps _{p-p} | – |
| | – | 270Mb/s | – | 16 | – | ps _{p-p} | – |
| Rise/Fall time | t_r, t_f | SD/ \overline{HD} =0 | – | – | 135 | ps | 2 |
| | t_r, t_f | SD/ \overline{HD} =1 | 400 | – | 800 | ps | 2 |
| Mismatch in rise/fall time | $\Delta t_r, \Delta t_f$ | – | – | – | 35 | ps | – |
| Duty cycle distortion | – | SD/ \overline{HD} =0, 2.97 Gb/s | – | – | 27 | ps | 3 |
| | – | SD/ \overline{HD} =0, 1.485 Gb/s | – | – | 30 | ps | 3 |
| | – | SD/ \overline{HD} =1 | – | – | 100 | ps | 3 |
| Overshoot | – | SD/ \overline{HD} =0, | – | – | 10 | % | 3 |
| | – | SD/ \overline{HD} =1 | – | – | 8 | % | 3 |
| Output Return Loss | ORL | 5 MHz – 1.485 GHz | 15 | 20 | – | dB | 4 |
| | | 1.485 GHz – 2.97 GHz | 10 | 12 | – | dB | 4 |
| Output Voltage Swing | V_{OUT} | $R_{SET} = 750\Omega$ | 750 | 800 | 850 | mV _{p-p} | 3 |
| Input Voltage Swing | ΔV_{DDI} | Differential | 100 | – | 2200 | mV _{p-p} | – |

NOTES:

1. The input coupling capacitor must be set accordingly for lower data rates.
2. Rise/Fall time measured between 20% and 80%.
3. Single Ended into 75Ω external load.
4. ORL depends on board design. The GS2978 achieves this specification on Gennum's evaluation boards.

3. Input/Output Circuits

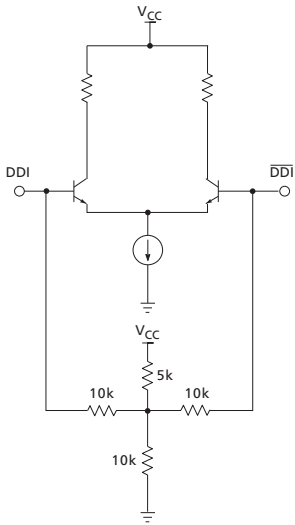


Figure 3-1: Differential Input Stage (DDI/DDI \bar)

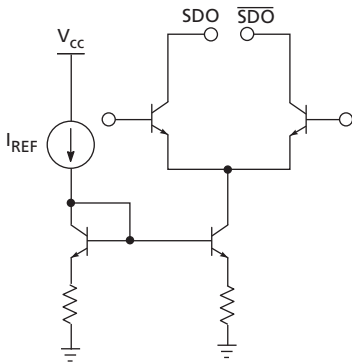


Figure 3-2: Differential Output Stage (SDO/SDO \bar)

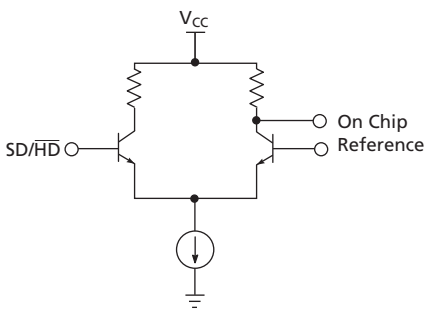


Figure 3-3: Slew Rate Select Input Stage

4. Detailed Description

4.1 Input Interfacing

DDI/ $\overline{\text{DDI}}$ are high impedance differential inputs. The equivalent input circuit is shown in [Figure 3-1](#).

Several conditions must be observed when interfacing to these inputs:

- The differential input signal amplitude must be between 100 and 2200mVpp.
- The common mode voltage range must be as specified in the [DC Electrical Characteristics on page 5](#).
- For input trace lengths longer than approximately 1cm, the inputs should be terminated as shown in the Typical Application Circuit.

The GS2978 inputs are self-biased, allowing for simple AC coupling to the device. For serial digital video, a minimum capacitor value of 4.7 μ F should be used to allow coupling of pathological test signals. A tantalum capacitor is recommended.

SD/ $\overline{\text{HD}}$ Input Pin

The GS2978 SDO rise and fall times can be set to comply with both SMPTE 259M/344M and SMPTE 424M / SMPTE 292M. For all SMPTE 259M standards, or any data rate that requires longer rise and fall time characteristics, the SD/ $\overline{\text{HD}}$ pin must be set HIGH by the application layer. For SMPTE 424M and SMPTE 292M standards and signals which require faster rise and fall times, this pin should be set LOW.

4.2 Output Interfacing

The GS2978 outputs are current mode, and will drive typically 800mV into a 75 Ω load. These outputs are protected from accidental static damage with internal ESD protection diodes.

In order for a DDI output circuit using the GS2978 to meet this specification, the output application circuit shown in [Typical Application Circuit on page 10](#) is recommended.

The value of L_{COMP} will vary depending on the PCB layout, with a typical value of 5.6nH. A 4.7 μ F capacitor is used for AC coupling the output of the device. This value is chosen to ensure that pathological signals can be coupled without a significant DC component occurring. Please see [Application Information on page 10](#) for more details.

4.2.1 Output Amplitude (RSET)

The output amplitude of the GS2978 can be adjusted by changing the value of the R_{SET} resistor as shown in Table 4-1. For an 800mV_{p-p} output with a nominal $\pm 7\%$ tolerance, a value of 750Ω is required. A $\pm 1\%$ SMT resistor should be used.

The R_{SET} resistor is part of the high speed output circuit of the GS2978. The resistor should be placed as close as possible to the R_{SET} pin. In addition, the PCB capacitance should be minimized at this node by removing the PCB groundplane beneath the R_{SET} resistor and the R_{SET} pin.

Table 4-1: R_{SET} vs. V_{OD}

| R_{SET} R (Ω) | Output Swing (mVp-p) |
|--------------------------|----------------------|
| 995 | 608 |
| 824 | 734 |
| 750 | 800 |
| 680 | 884 |
| 573 | 1040 |

NOTE: For reliable operation of the GS2978 over the full temperature range, do not use an R_{SET} value below 573Ω .

4.2.2 Output Disable

The serial output disable ($\overline{DISABLE}$), disables power to the current mode serial digital output driver. When asserted LOW, the $\overline{SDO}/\overline{SDO}$ output driver is powered off. $\overline{SDO}/\overline{SDO}$ will float to V_{CC} through the pull-up resistor.

NOTE: If the $\overline{DISABLE}$ pin is left as a No Connect (NC), the $\overline{SDO}/\overline{SDO}$ outputs are still active.

4.3 Output Return Loss Measurement

To perform a practical return loss measurement, it is necessary to force the GS2978 output to a DC high or low condition. The actual measured return loss will be based on the outputs being static at V_{CC} or $V_{CC}-1.6\text{V}$. Under normal operating conditions the outputs of the device swing between $V_{CC}-0.4\text{V}$ and $V_{CC}-1.2\text{V}$.

5. Application Information

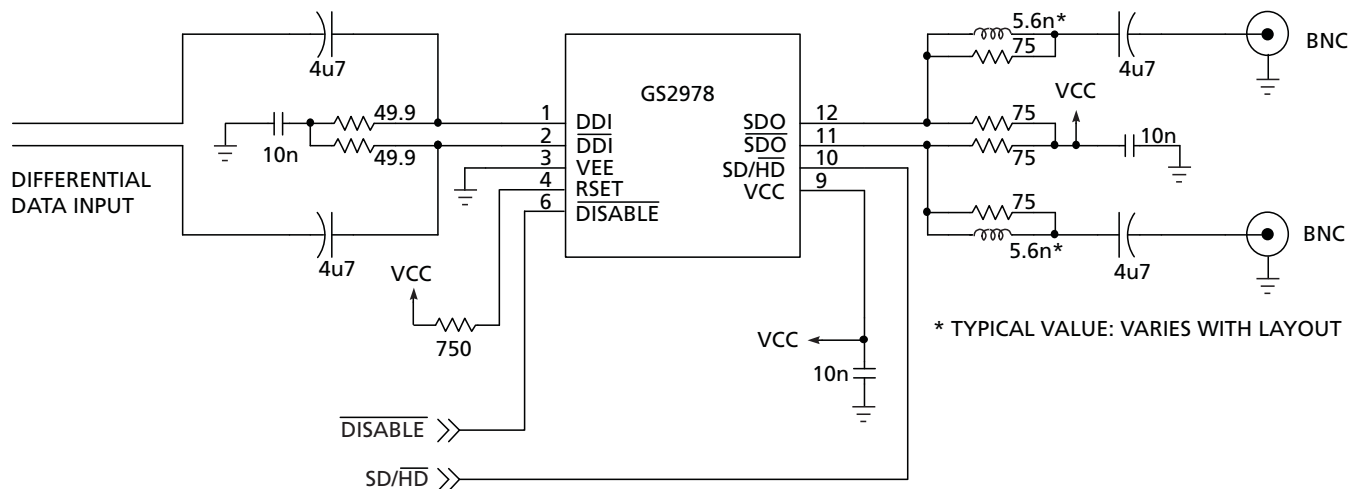
5.1 PCB Layout

Special attention must be paid to component layout when designing serial digital interfaces for HDTV.

An FR-4 dielectric can be used, however, controlled impedance transmission lines are required for PCB traces longer than approximately 1cm. Note the following PCB artwork features used to optimize performance:

- The PCB trace width for HD rate signals is closely matched to SMT component width to minimize reflections due to changes in trace impedance.
- The PCB ground plane is removed under the GS2978 output components to minimize parasitic capacitance.
- The PCB ground plane is removed under the GS2978 R_{SET} pin and resistor to minimize parasitic capacitance.
- Input and output BNC connectors are surface mounted in-line to eliminate a transmission line stub caused by a BNC mounting via high speed traces which are curved to minimize impedance variations due to change of PCB trace width.

5.2 Typical Application Circuit

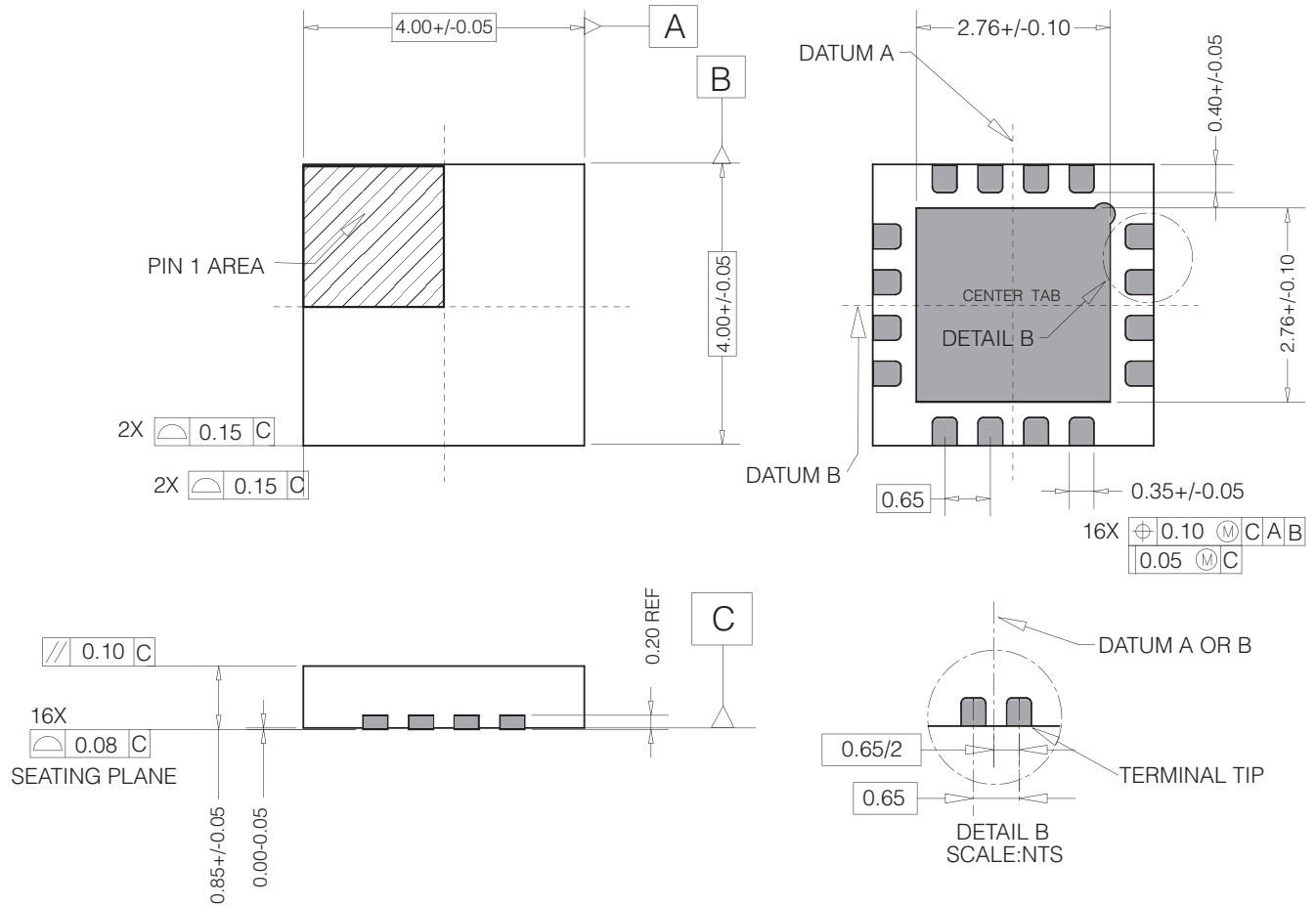


NOTE: All resistors in Ohms, capacitors in Farads, and inductors in Henrys, unless otherwise noted.

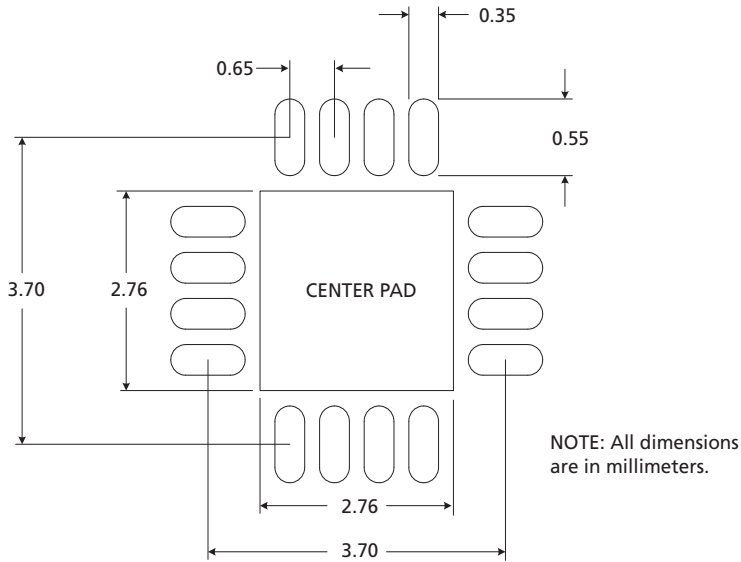
Figure 5-1: Typical Application Circuit

6. Package & Ordering Information

6.1 Package Dimensions



6.2 Recommended PCB Footprint



The Center Pad should be connected to the most negative power supply plane (VEE) by a minimum of 5 vias.

NOTE: Suggested dimensions only. Final dimensions should conform to customer design rules and process optimizations.

6.3 Packaging Data

| Parameter | Value |
|--|----------------------|
| Package Type | 4mm x 4mm 16-pin QFN |
| Package Drawing Reference | JEDEC M0220 |
| Moisture Sensitivity Level | 3 |
| Junction to Case Thermal Resistance, θ_{j-c} | 31.0°C/W |
| Junction to Air Thermal Resistance, θ_{j-a} (at zero airflow) | 43.8°C/W |
| Psi, Ψ | 11.0°C/W |
| Pb-free and RoHS compliant | Yes |

6.4 Solder Reflow Profiles

The device is manufactured with Matte-Sn terminations and is compatible with both standard eutectic and Pb-free solder reflow profiles. MSL qualification was performed using the maximum Pb-free reflow profile shown in Figure 6-1. The recommended standard Pb reflow profile is shown in Figure 6-2.

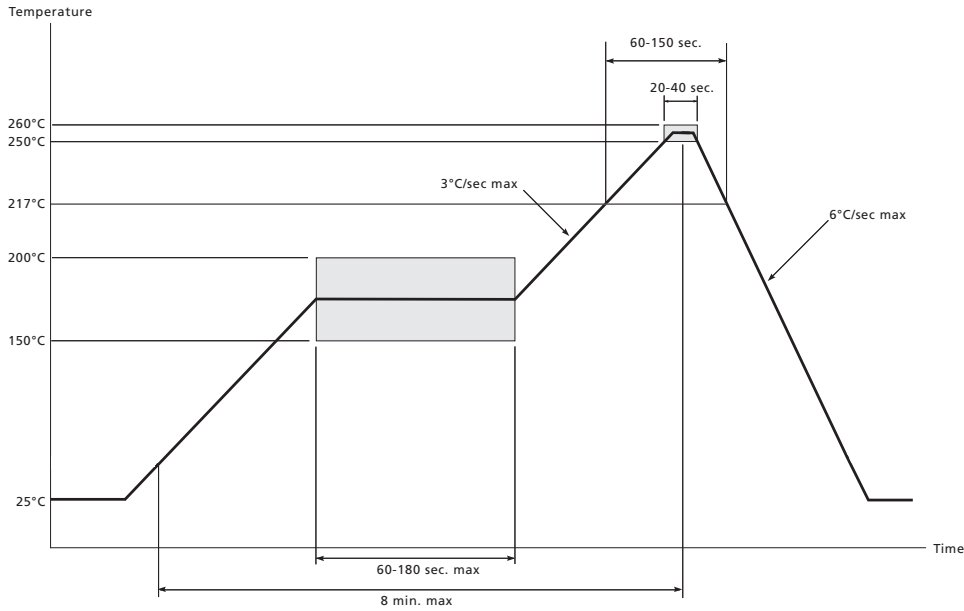


Figure 6-1: Maximum Pb-free Solder Reflow Profile (Preferred)

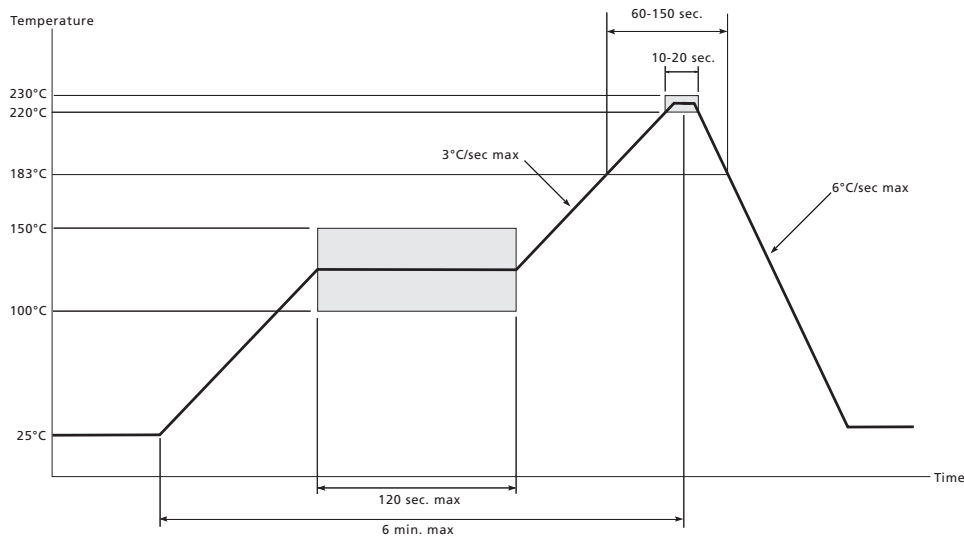


Figure 6-2: Standard Pb Reflow Profile

6.5 Marking Diagram

Pin 1 Indicator



XXXX - Lot/Work Order ID

YYWW - Date Code

YY - 2-digit year

WW - 2-digit week number

6.6 Ordering Information

| | Part Number | Package | Temperature Range |
|--------|---------------|----------------------------|-------------------|
| GS2978 | GS2978-CNE3 | 16-pin QFN | 0°C to 70°C |
| GS2978 | GS2978-CTE3 | 16-pin QFN 250pc Reel | 0°C to 70°C |
| GS2978 | GS2978-CNTE3Z | 16-pin QFN 2,500pc Reel | 0°C to 70°C |

**DOCUMENT IDENTIFICATION
DATA SHEET**

The product is in production. Gennum reserves the right to make changes to the product at any time without notice to improve reliability, function or design, in order to provide the best product possible.

CAUTION

ELECTROSTATIC SENSITIVE DEVICES
DO NOT OPEN PACKAGES OR HANDLE EXCEPT AT A
STATIC-FREE WORKSTATION



GENNUM CORPORATE HEADQUARTERS

4281 Harvester Road, Burlington, Ontario L7L 5M4 Canada

Phone: +1 (905) 632-2996

E-mail: corporate@gennum.com

Fax: +1 (905) 632-2055

www.gennum.com

OTTAWA

232 Herzberg Road, Suite 101
Kanata, Ontario K2K 2A1
Canada

Phone: +1 (613) 270-0458

Fax: +1 (613) 270-0429

CALGARY

3553 - 31st St. N.W., Suite 210
Calgary, Alberta T2L 2K7
Canada

Phone: +1 (403) 284-2672

UNITED KINGDOM

North Building, Walden Court
Parsonage Lane,
Bishop's Stortford Hertfordshire, CM23 5DB
United Kingdom

Phone: +44 1279 714170

Fax: +44 1279 714171

INDIA

#208(A), Nirmala Plaza,
Airport Road, Forest Park Square
Bhubaneswar 751009
India

Phone: +91 (674) 653-4815

Fax: +91 (674) 259-5733

SNOWBUSH IP - A DIVISION OF GENNUM

439 University Ave. Suite 1700
Toronto, Ontario M5G 1Y8
Canada

Phone: +1 (416) 925-5643

Fax: +1 (416) 925-0581

E-mail: sales@snowbush.com

Web Site: <http://www.snowbush.com>

MEXICO

288-A Paseo de Maravillas
Jesus Ma., Aguascalientes
Mexico 20900

Phone: +1 (416) 848-0328

JAPAN KK

Shinjuku Green Tower Building 27F
6-14-1, Nishi Shinjuku
Shinjuku-ku, Tokyo, 160-0023
Japan

Phone: +81 (03) 3349-5501

Fax: +81 (03) 3349-5505

E-mail: gennum-japan@gennum.com

Web Site: <http://www.gennum.co.jp>

TAIWAN

6F-4, No.51, Sec.2, Keelung Rd.
Sinyi District, Taipei City 11502
Taiwan R.O.C.

Phone: (886) 2-8732-8879

Fax: (886) 2-8732-8870

E-mail: gennum-taiwan@gennum.com

GERMANY

Hainbuchenstraße 2
80935 Muenchen (Munich), Germany

Phone: +49-89-35831696

Fax: +49-89-35804653

E-mail: gennum-germany@gennum.com

NORTH AMERICA WESTERN REGION

Bayshore Plaza
2107 N 1st Street, Suite #300
San Jose, CA 95131
United States

Phone: +1 (408) 392-9454

Fax: +1 (408) 392-9427

E-mail: naw_sales@gennum.com

NORTH AMERICA EASTERN REGION

4281 Harvester Road
Burlington, Ontario L7L 5M4
Canada

Phone: +1 (905) 632-2996

Fax: +1 (905) 632-2055

E-mail: nae_sales@gennum.com

KOREA

8F Jinnex Lakeview Bldg.
65-2, Bangidong, Songpagu
Seoul, Korea 138-828

Phone: +82-2-414-2991

Fax: +82-2-414-2998

E-mail: gennum-korea@gennum.com

Gennum Corporation assumes no liability for any errors or omissions in this document, or for the use of the circuits or devices described herein. The sale of the circuit or device described herein does not imply any patent license, and Gennum makes no representation that the circuit or device is free from patent infringement.

All other trademarks mentioned are the properties of their respective owners.

GENNUM and the Gennum logo are registered trademarks of Gennum Corporation.

© Copyright 2006 Gennum Corporation. All rights reserved.

www.gennum.com

Mouser Electronics

Authorized Distributor

Click to View Pricing, Inventory, Delivery & Lifecycle Information:

[Semtech:](#)

[GS2978-CTE3](#) [GS2978-CNE3](#) [GS2978-INE3](#)