



ON Semiconductor®

<http://onsemi.com>

LB1838M

Monolithic Digital IC Low-Voltage, Low-Saturation Bidirectional Motor Driver

Overview

The LB1838M is a low-saturation two-channel bidirectional motor driver IC for use in low-voltage applications.

The LB1838M is a bipolar stepper-motor driver IC that is ideal for use in printers, cameras and other portable devices.

Functions

- Low voltage operation (2.5V min)
- Low saturation voltage (upper transistor + lower transistor residual voltage: 0.40V at 400mA)
- Built-in through-current prevention circuit
- Separate logic power supply and motor power supply
- Built-in spark killer diodes
- Built-in thermal shutdown circuit
- Compact package: MFP14S

Specifications

Absolute Maximum Ratings at Ta = 25°C

Parameter	Symbol	Conditions	Ratings	Unit
Maximum supply voltage	V _{CC} max		-0.3 to +10.5	V
	V _S max		-0.3 to +10.5	V
Output applied voltage	V _{OUT}		V _S +V _{SF}	V
Input applied voltage	V _{IN}		-0.3 to +10	V
Ground pin flow-out current	I _{GND}	Per channel	1.0	A
Allowable power dissipation	Pd max	Independent IC	550	mW
		Mounted on a specified board *	800	mW
Operating temperature	T _{opr}		-20 to +75	°C
Storage temperature	T _{stg}		-40 to +125	°C

* Specified board: 20mm × 30mm × 1.6mm, glass epoxy board.

Stresses exceeding Maximum Ratings may damage the device. Maximum Ratings are stress ratings only. Functional operation above the Recommended Operating Conditions is not implied. Extended exposure to stresses above the Recommended Operating Conditions may affect device reliability.

LB1838M

Allowable Operating Ranges at $T_a = 25^\circ\text{C}$

Parameter	Symbol	Conditions	Ratings	Unit
Supply voltage	V_{CC}		2.5 to 9.0	VV
	V_S		1.8 to 9.0	V
Input high-level voltage	V_{IH}		1.8 to 9.0	V
Input Low-level voltage	V_{IL}		-0.3 to +0.7	V

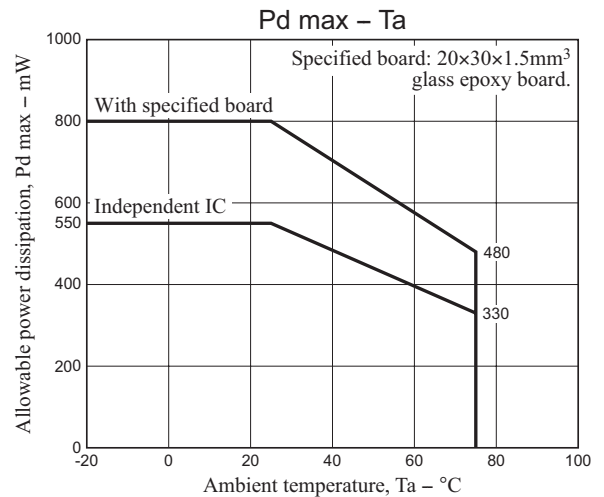
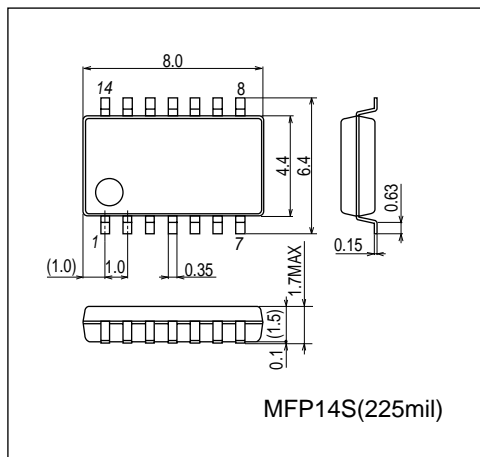
Electrical Characteristics at $T_a = 25^\circ\text{C}$, $V_{CC} = 3\text{V}$

Parameter	Symbol	Conditions	Ratings			Unit
			min	typ	max	
Current drain	I_{CC0}	ENA1,2 = 0V, $V_{IN1} = 3\text{V}$ or 0V		0.1	10	μA
	I_{CC1}	ENA1 = 3V, $V_{IN1} = 3\text{V}$ or 0V		12	18	mA
Output saturation voltage	V_{OUT1}	ENA = 3V, $V_{IN} = 3\text{V}$ or 0V, $I_{OUT} = 200\text{mA}$		0.2	0.28	V
	V_{OUT2}	ENA = 3V, $V_{IN} = 3\text{V}$ or 0V, $I_{OUT} = 400\text{mA}$		0.4	0.6	V
Input current	I_{IN}	$V_{CC} = 6\text{V}$, $V_{IN} = 6\text{V}$			200	μA
	I_{ENA}	$V_{CC} = 6\text{V}$, ENA = 6V			200	μA
Output sustaining voltage	$V_{O(SUS)}$	$I_{OUT} = 400\text{mA}$	9			V
Spark killer diode						
Reverse current	$I_S(\text{leak})$	V_{CC1} , $V_S = 7\text{V}$			30	μA
Forward voltage	V_{SF}	$I_{OUT} = 400\text{mA}$			1.7	V

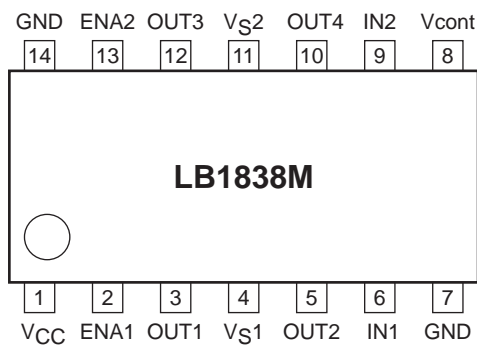
Package Dimensions

unit : mm (typ)

3111A

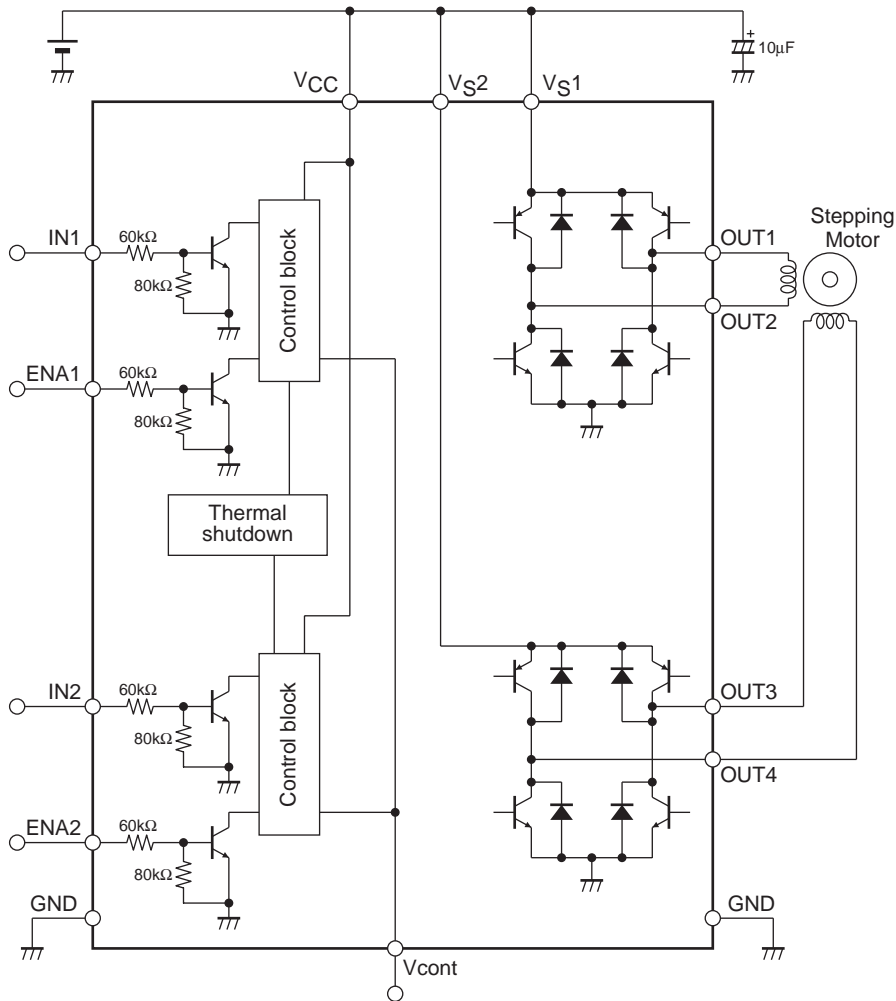


Pin Assignment



Note: Both GND pins should be connected to ground.

Block Diagram

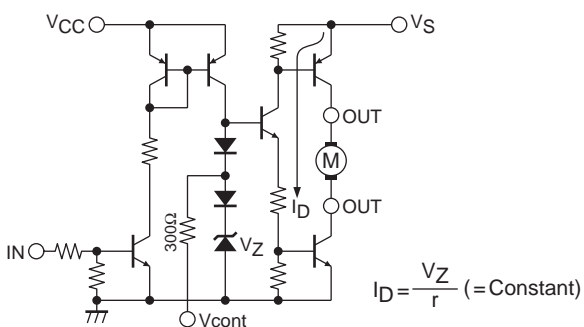


Note: As long as the voltages applied to VCC, VS1, VS2, ENA1, ENA2, IN1, and IN2 are within the limits set by the absolute maximum ratings, there are no restrictions on the relationship of each voltage level in comparison with the others (regarding which is higher or lower). (ex. VCC = 3V, VS1, 2 = 2V, ENA = IN = 5V)

Truth Table

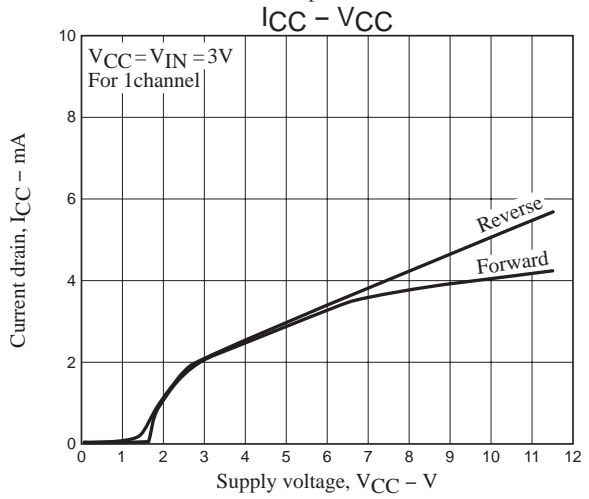
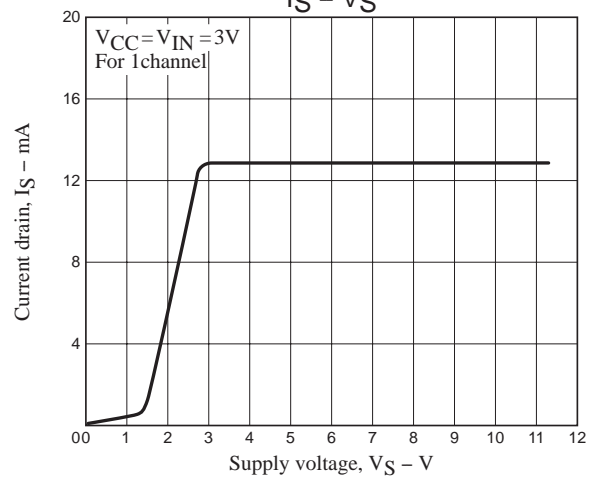
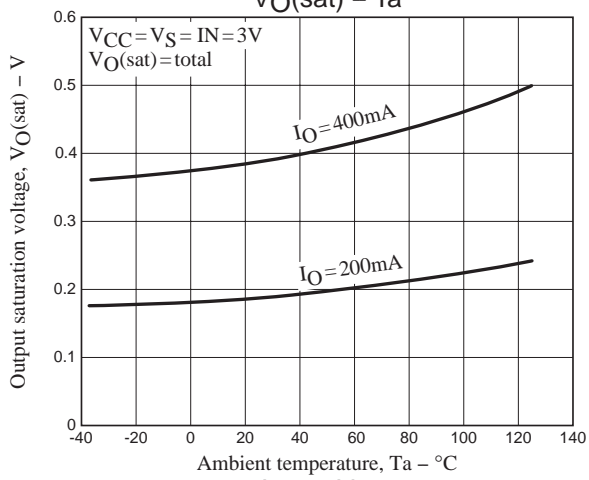
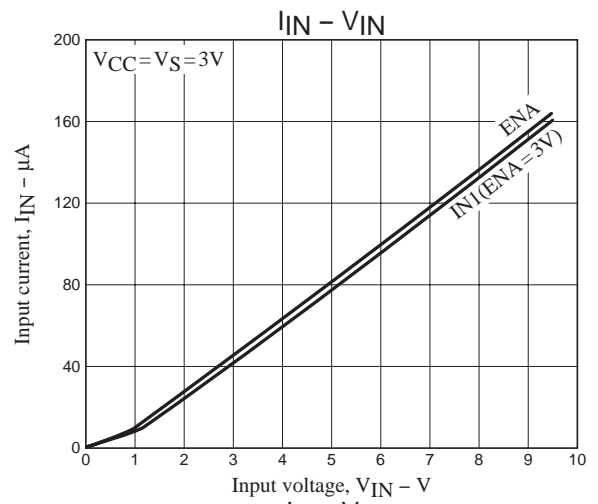
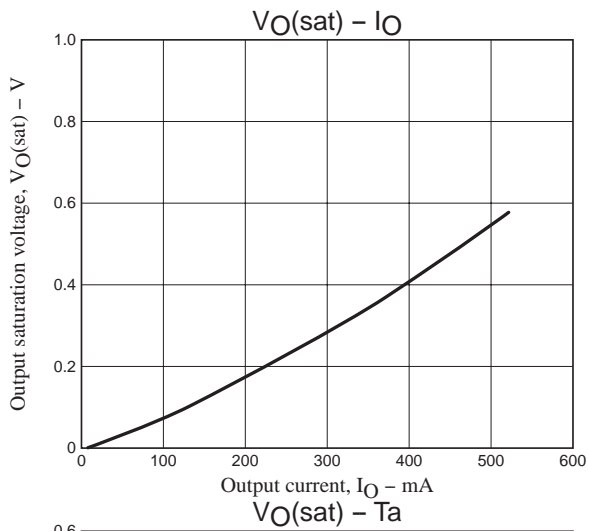
IN1,2	ENA1,2	OUT1,3	OUT2,4	Mode
L	H	H	L	Forward
H	H	L	H	Reverse
L	L	OFF	OFF	Standby
H	L	OFF	OFF	Standby

Vcont pin



As shown in the left diagram, the Vcont pin outputs the voltage of the band gap Zener $V_Z + V_F (= 1.93V)$. In normal use, this pin is left open. The drive current I_D is varied by the Vcont voltage. However, because the band gap Zener is shared, it functions as a bridge.

LB1838M



ON Semiconductor and the ON logo are registered trademarks of Semiconductor Components Industries, LLC (SCILLC). SCILLC owns the rights to a number of patents, trademarks, copyrights, trade secrets, and other intellectual property. A listing of SCILLC's product/patent coverage may be accessed at www.onsemi.com/site/pdf/Patent-Marking.pdf. SCILLC reserves the right to make changes without further notice to any products herein. SCILLC makes no warranty, representation or guarantee regarding the suitability of its products for any particular purpose, nor does SCILLC assume any liability arising out of the application or use of any product or circuit, and specifically disclaims any and all liability, including without limitation special, consequential or incidental damages. "Typical" parameters which may be provided in SCILLC data sheets and/or specifications can and do vary in different applications and actual performance may vary over time. All operating parameters, including "Typicals" must be validated for each customer application by customer's technical experts. SCILLC does not convey any license under its patent rights nor the rights of others. SCILLC products are not designed, intended, or authorized for use as components in systems intended for surgical implant into the body, or other applications intended to support or sustain life, or for any other application in which the failure of the SCILLC product could create a situation where personal injury or death may occur. Should Buyer purchase or use SCILLC products for any such unintended or unauthorized application, Buyer shall indemnify and hold SCILLC and its officers, employees, subsidiaries, affiliates, and distributors harmless against all claims, costs, damages, and expenses, and reasonable attorney fees arising out of, directly or indirectly, any claim of personal injury or death associated with such unintended or unauthorized use, even if such claim alleges that SCILLC was negligent regarding the design or manufacture of the part. SCILLC is an Equal Opportunity/Affirmative Action Employer. This literature is subject to all applicable copyright laws and is not for resale in any manner.

Mouser Electronics

Authorized Distributor

Click to View Pricing, Inventory, Delivery & Lifecycle Information:

[ON Semiconductor:](#)

[LB1838M-TRM-E](#) [LB1838M-MPB-E](#) [LB1838M-TLM-E](#) [LB1838MEVB](#)