

# Schottky Diode Gen<sup>2</sup>

preliminary

$$V_{RRM} = 45V$$

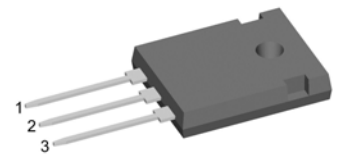
$$I_{FAV} = 2x \ 30A$$

$$V_F = 0.58V$$

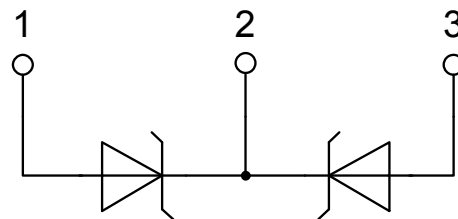
High Performance Schottky Diode  
 Low Loss and Soft Recovery  
 Common Cathode

Part number

**DSB60C45HB**



Backside: cathode



### Features / Advantages:

- Very low  $V_f$
- Extremely low switching losses
- Low  $I_{rm}$  values
- Improved thermal behaviour
- High reliability circuit operation
- Low voltage peaks for reduced protection circuits
- Low noise switching

### Applications:

- Rectifiers in switch mode power supplies (SMPS)
- Free wheeling diode in low voltage converters

### Package: TO-247

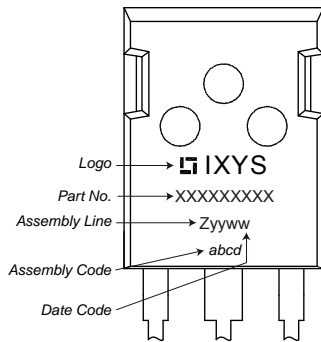
- Industry standard outline
- RoHS compliant
- Epoxy meets UL 94V-0

Schottky				Ratings			
Symbol	Definition	Conditions	min.	typ.	max.	Unit	
$V_{RSM}$	max. non-repetitive reverse blocking voltage				45	V	
$V_{RRM}$	max. repetitive reverse blocking voltage				45	V	
$I_R$	reverse current, drain current	$V_R = 45\text{ V}$			10	mA	
		$V_R = 45\text{ V}$			100	mA	
$V_F$	forward voltage drop	$I_F = 30\text{ A}$			0.62	V	
		$I_F = 60\text{ A}$			0.88	V	
		$I_F = 30\text{ A}$	$T_{VJ} = 125^\circ\text{C}$			0.58	V
		$I_F = 60\text{ A}$				0.86	V
$I_{FAV}$	average forward current	$T_C = 125^\circ\text{C}$ rectangular $d = 0.5$			30	A	
$V_{FO}$	threshold voltage	} for power loss calculation only			0.31	V	
$r_F$	slope resistance				8.7	mΩ	
$R_{thJC}$	thermal resistance junction to case				0.95	K/W	
$R_{thCH}$	thermal resistance case to heatsink			0.25		K/W	
$P_{tot}$	total power dissipation				130	W	
$I_{FSM}$	max. forward surge current	$t = 10\text{ ms}; (50\text{ Hz}), \text{ sine}; V_R = 0\text{ V}$			570	A	
$C_J$	junction capacitance	$V_R = 5\text{ V}$ $f = 1\text{ MHz}$			980	pF	

preliminary

Package TO-247			Ratings			
Symbol	Definition	Conditions	min.	typ.	max.	Unit
$I_{RMS}$	RMS current	per terminal <sup>1)</sup>			50	A
$T_{VJ}$	virtual junction temperature		-55		150	°C
$T_{op}$	operation temperature		-55		125	°C
$T_{stg}$	storage temperature		-55		150	°C
<b>Weight</b>				6		g
$M_D$	mounting torque		0.8		1.2	Nm
$F_C$	mounting force with clip		20		120	N

### Product Marking



### Part number

- D = Diode
- S = Schottky Diode
- B = ultra low VF
- 60 = Current Rating [A]
- C = Common Cathode
- 45 = Reverse Voltage [V]
- HB = TO-247AD (3)

Ordering	Part Number	Marking on Product	Delivery Mode	Quantity	Code No.
Standard	DSB60C45HB	DSB60C45HB	Tube	30	505549

Similar Part	Package	Voltage class
DSB60C45PB	TO-220AB (3)	45

### Equivalent Circuits for Simulation

\* on die level

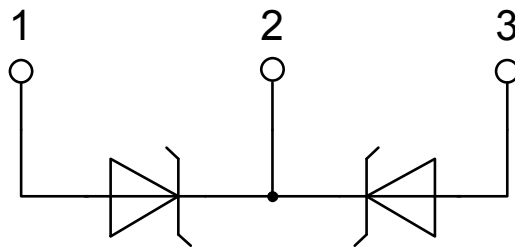
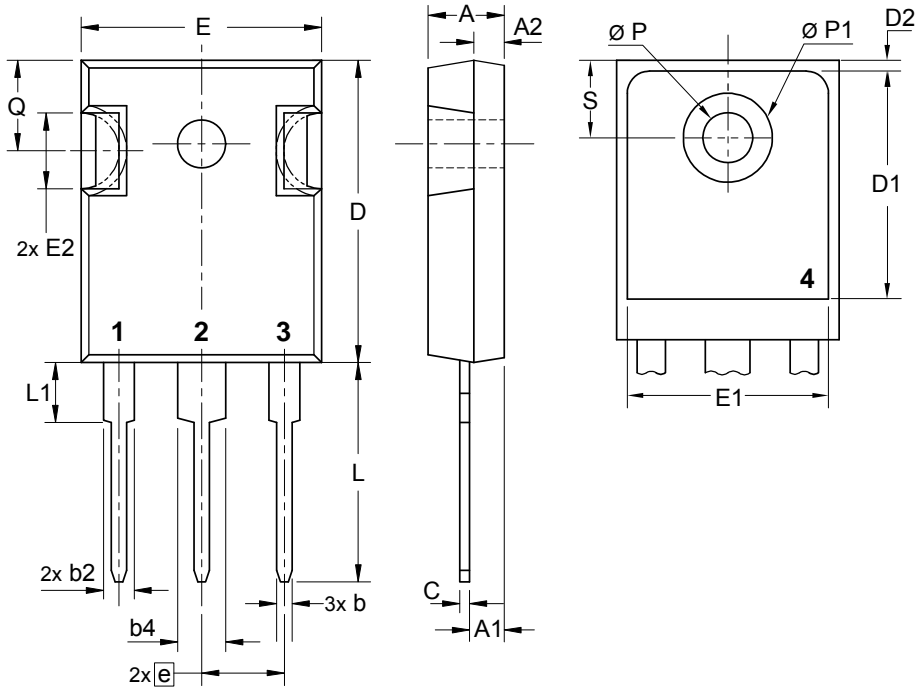
$T_{VJ} = 150\text{ °C}$



Schottky

$V_{0\ max}$	threshold voltage	0.31	V
$R_{0\ max}$	slope resistance *	6.2	mΩ

## Outlines TO-247



# Mouser Electronics

Authorized Distributor

Click to View Pricing, Inventory, Delivery & Lifecycle Information:

[IXYS:](#)

[DSB60C45HB](#)