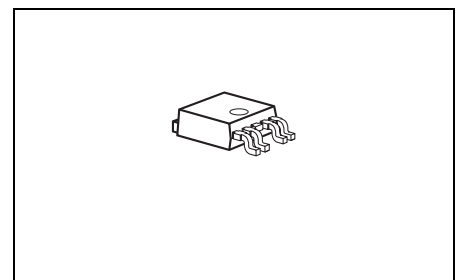
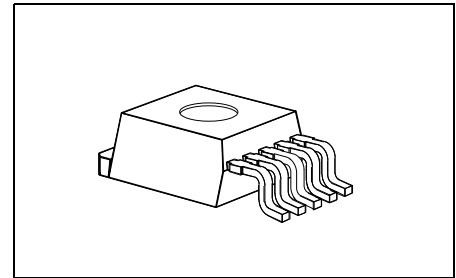




## Features

- Output voltage tolerance  $\leq \pm 2\%$
- 650 mA output current capability
- Low-drop voltage
- Reset functionality
- Adjustable reset time
- Suitable for use in automotive electronics
- Integrated overtemperature protection
- Reverse polarity protection
- Input voltage up to 42 V
- Overvoltage protection up to 65 V ( $\leq 400$  ms)
- Short-circuit proof
- Wide temperature range
- ESD protection:  $\pm 2$  kV HBM<sup>1)</sup>
- Green Product (RoHS compliant)
- AEC Qualified

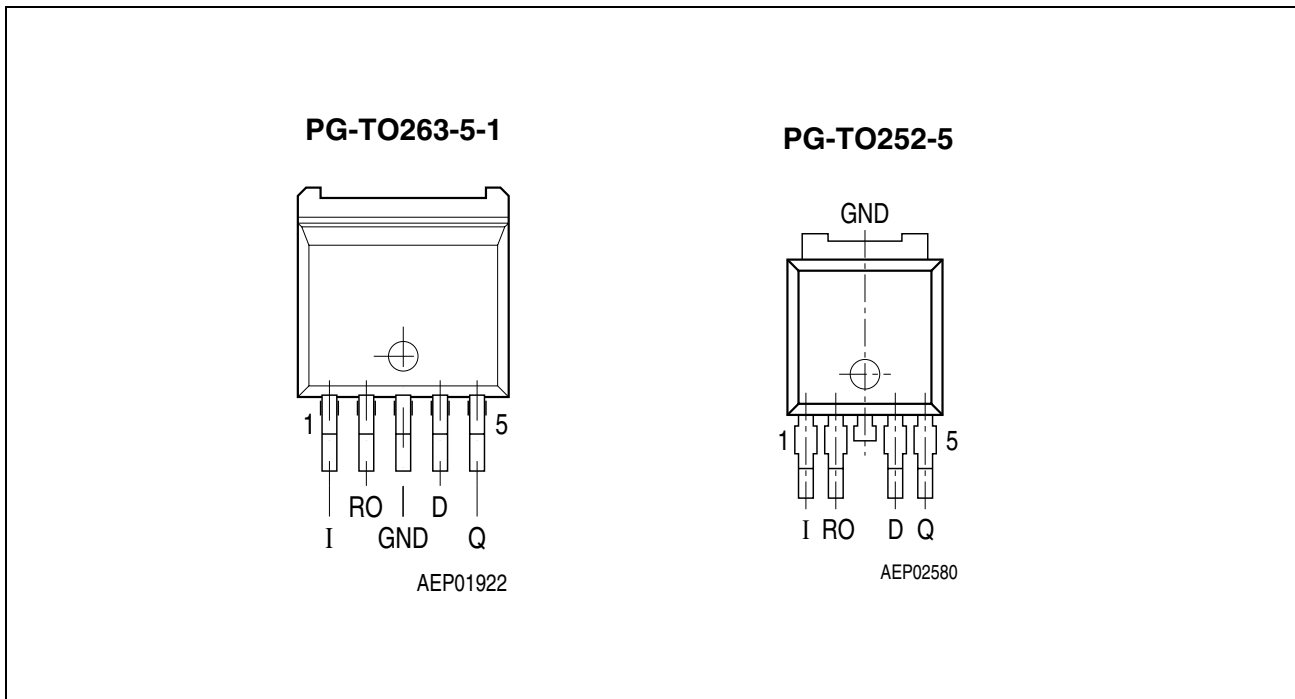


## Functional Description

This device is a 5-V low drop fixed-voltage regulator. The maximum input voltage is 42 V (65 V,  $\leq 400$  ms). Up to an input voltage of 26 V and for an output current up to 650 mA it regulates the output voltage within a 2% accuracy. The short circuit protection limits the output current of more than 650 mA. The device incorporates overvoltage protection and a temperature protection which turns off the device at high temperatures.

1) ESD susceptibility, Human Body Model (HBM) according to EIA/JESD 22-A114B

Type	Package
TLE 4270-2 G	PG-TO263-5-1
TLE 4270-2 D	PG-TO252-5-11



**Figure 1** Pin Configuration (top view)

**Table 1** Pin Definitions and Functions

Pin	Symbol	Function
1	I	<b>Input;</b> block to ground directly at the IC with a ceramic capacitor.
2	RO	<b>Reset Output;</b> the open collector output is connected to the 5-V output via an integrated resistor of 30 kΩ.
3	GND	<b>Ground;</b> internally connected to heatsink.
4	D	<b>Reset Delay;</b> connect a capacitor to ground for delay time adjustment.
5	Q	<b>5-V Output;</b> block to ground with 22 μF capacitor, ESR < 3 Ω.

### **Circuit Description**

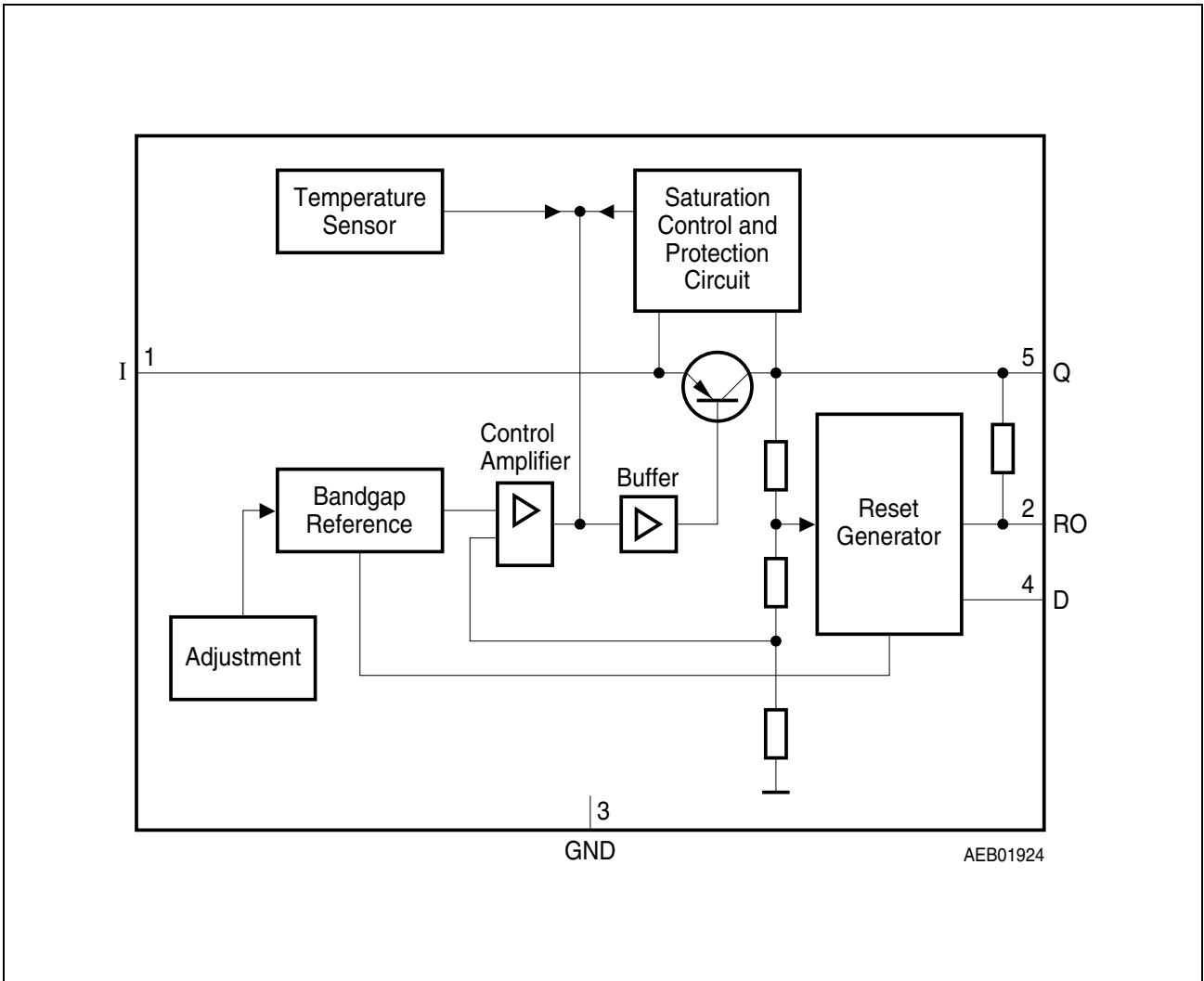
The control amplifier compares a reference voltage, which is kept highly accurate by resistance adjustment, to a voltage that is proportional to the output voltage and drives the base of a series transistor via a buffer. Saturation control as a function of the load current prevents any over-saturation of the power element.

The IC also incorporates a number of internal circuits for protection against:

- Overload
- Overvoltage
- Overtemperature
- Reverse polarity

### **Application Description**

The IC regulates an input voltage in the range of  $5.5\text{ V} < V_I < 36\text{ V}$  to  $V_{Q,\text{nom}} = 5.0\text{ V}$ . Up to 26 V it produces a regulated output current of more than 650 mA. Above 26 V the save-operating-area protection allows operation up to 36 V with a regulated output current of more than 300 mA. Overvoltage protection limits operation at 42 V. The overvoltage protection hysteresis restores operation if the input voltage has dropped below 36 V. A reset signal is generated for an output voltage of  $V_Q < 4.5\text{ V}$ . The delay for power-on reset can be set externally with a capacitor.



**Figure 2** Block Diagram

**Table 2 Absolute Maximum Ratings**
 $T_j = -40$  to  $150$  °C

Parameter	Symbol	Limit Values		Unit	Notes
		Min.	Max.		
<b>Input I</b>					
Voltage	$V_I$	-42	42	V	–
Voltage	$V_I$	–	65	V	$t \leq 400$ ms
Current	$I_I$	–	–	–	internally limited
<b>Reset Output RO</b>					
Voltage	$V_{RO}$	-0.3	7	V	–
Current	$I_{RO}$	–	–	–	Internally limited
<b>Reset Delay D</b>					
Voltage	$V_D$	-0.3	7	V	–
Current	$I_D$	–	–	–	Internally limited
<b>Output Q</b>					
Voltage	$V_Q$	-1.0	16	V	–
Current	$I_Q$	–	–	–	Internally limited
<b>Ground GND</b>					
Current	$I_{GND}$	-0.5	–	A	–
<b>Temperatures</b>					
Junction temperature	$T_j$	–	150	°C	–
Storage temperature	$T_{stg}$	-50	150	°C	–

**Table 3 Operating Range**

Parameter	Symbol	Limit Values		Unit	Notes
		Min.	Max.		
Input voltage	$V_I$	6	42	V	–
Junction temperature	$T_j$	-40	150	°C	–
<b>Thermal Resistance</b>					
Junction ambient	$R_{thj-a}$	–	65 79	K/W K/W	– TO263, TO252 <sup>1)</sup>
Junction case	$R_{thj-c}$	–	3	K/W	TO-263 Packages

1) Mounted on PCB,  $80 \times 80 \times 1.5$  mm<sup>3</sup>; 35μ Cu; 5μ Sn; Footprint only; zero airflow.

**Table 4 Characteristics**
 $V_I = 13.5 \text{ V}; -40 \text{ }^\circ\text{C} \leq T_j \leq 125 \text{ }^\circ\text{C}$  (unless otherwise specified)

Parameter	Symbol	Limit Values			Unit	Test Condition
		Min.	Typ.	Max.		
Output voltage	$V_Q$	4.90	5.00	5.10	V	$5 \text{ mA} \leq I_Q \leq 550 \text{ mA};$ $6 \text{ V} \leq V_I \leq 26 \text{ V}$
Output voltage	$V_Q$	4.90	5.00	5.10	V	$26 \text{ V} \leq V_I \leq 36 \text{ V};$ $I_Q \leq 300 \text{ mA}$
Output current limiting	$I_{Q\text{max}}$	650	850	–	mA	$V_Q = 0 \text{ V}$
Current consumption $I_q = I_I - I_Q$	$I_q$	–	1	1.5	mA	$I_Q = 5 \text{ mA}$
Current consumption $I_q = I_I - I_Q$	$I_q$	–	55	75	mA	$I_Q = 550 \text{ mA}$
Current consumption $I_q = I_I - I_Q$	$I_q$	–	70	90	mA	$I_Q = 550 \text{ mA}; V_I = 5 \text{ V}$
Drop voltage	$V_{\text{DR}}$	–	350	700	mV	$I_Q = 550 \text{ mA}^1)$
Load regulation	$\Delta V_{Q,\text{Lo}}$	–	25	50	mV	$I_Q = 5 \text{ to } 550 \text{ mA};$ $V_I = 6 \text{ V}$
Line regulation	$\Delta V_{Q,\text{Li}}$	–	12	25	mV	$V_I = 6 \text{ to } 26 \text{ V}$ $I_Q = 5 \text{ mA}$
Power supply Ripple rejection	$PSRR$	–	54	–	dB	$f_r = 100 \text{ Hz};$ $V_r = 0.5 \text{ Vpp}$

**Reset Generator**

Switching threshold	$V_{\text{RT}}$	4.5	4.65	4.8	V	–
Reset High voltage	$V_{\text{ROH}}$	4.5	–	–	V	–
Reset low voltage	$V_{\text{ROL}}$	–	60	–	mV	$R_{\text{int}} = 30 \text{ k}\Omega^2);$ $1.0 \text{ V} \leq V_Q \leq 4.5 \text{ V}$
Reset low voltage	$V_{\text{ROL}}$	–	200	400	mV	$I_R = 3 \text{ mA}, V_Q = 4.4 \text{ V}$
Reset pull-up	$R_{\text{int}}$	18	30	46	k $\Omega$	internally connected to Q
Charge current	$I_{\text{D,c}}$	8	14	25	$\mu\text{A}$	$V_D = 1.0 \text{ V}$

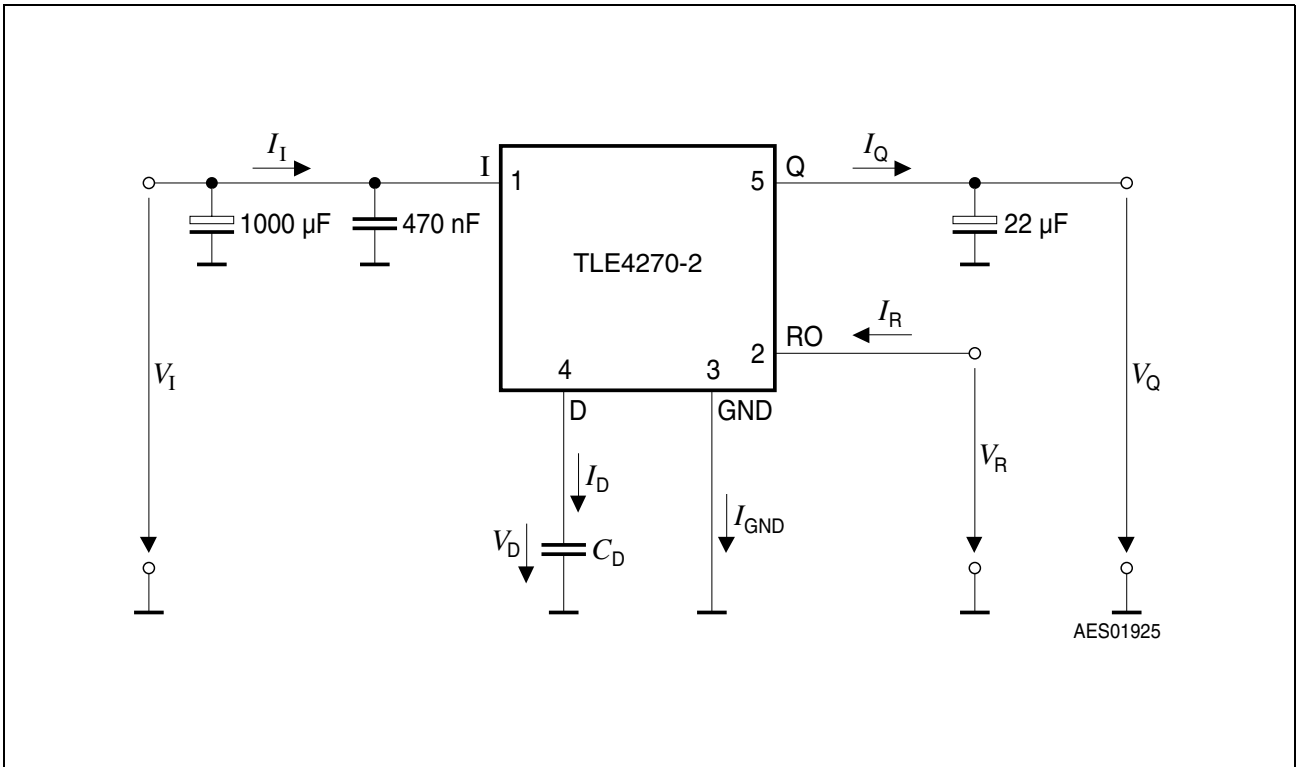
**Table 4 Characteristics (cont'd)**
 $V_I = 13.5 \text{ V}; -40 \text{ }^\circ\text{C} \leq T_j \leq 125 \text{ }^\circ\text{C}$  (unless otherwise specified)

Parameter	Symbol	Limit Values			Unit	Test Condition
		Min.	Typ.	Max.		
Upper reset timing threshold	$V_{DU}$	1.4	1.8	2.3	V	–
Lower reset timing threshold	$V_{DL}$	0.2	0.45	0.8	V	$V_Q < V_{RT}$
Delay time	$t_{rd}$	–	13	–	ms	$C_D = 100 \text{ nF}$
Reset reaction time	$t_{rr}$	–	–	3	$\mu\text{s}$	$C_D = 100 \text{ nF}$

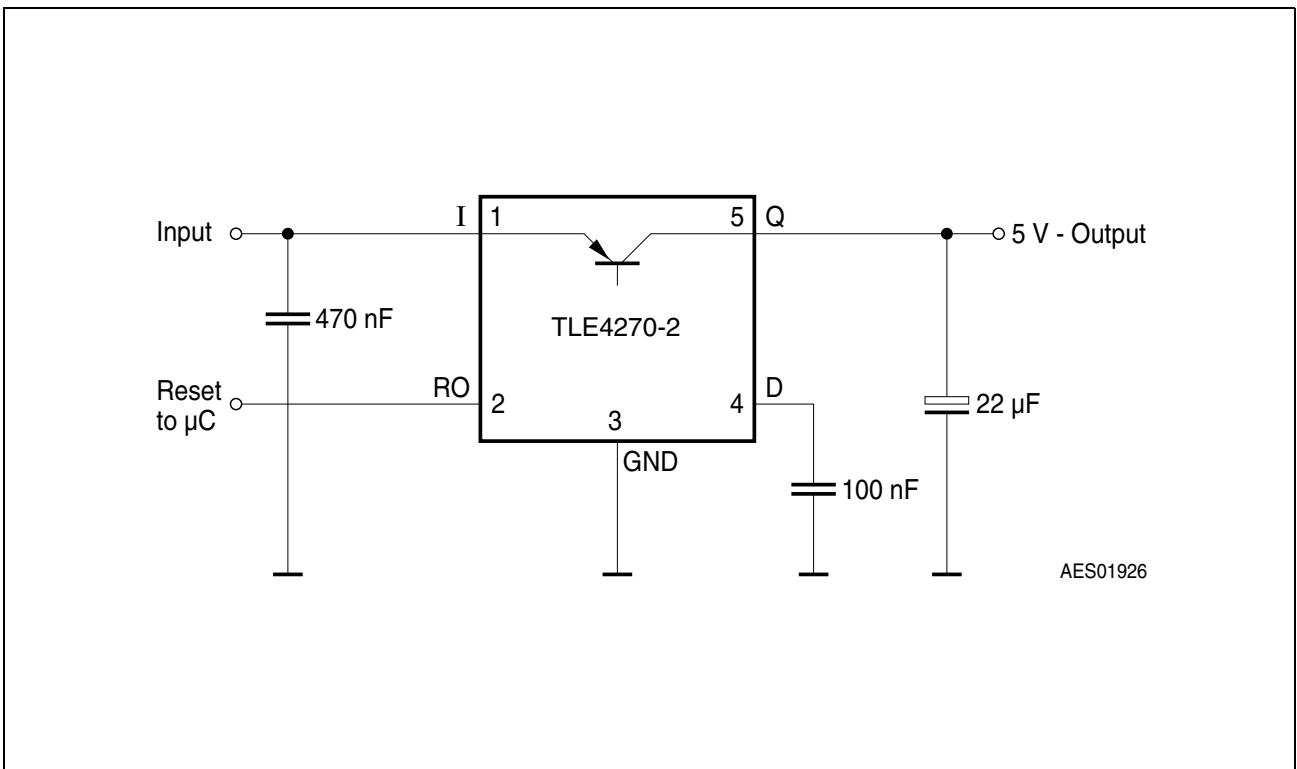
**Overvoltage Protection**

Turn-Off voltage	$V_{I,ov}$	42	44	46	V	–
------------------	------------	----	----	----	---	---

- 1) Drop voltage =  $V_I - V_Q$  (measured when the output voltage has dropped 100 mV from the nominal value obtained at 13.5 V input)
- 2) Reset peak is always lower than 1.0 V.



**Figure 3 Test Circuit**



**Figure 4 Application Circuit**



## Design Notes for External Components

An input capacitor  $C_I$  is necessary for compensation of line influences. The resonant circuit consisting of lead inductance and input capacitance can be damped by a resistor of approx.  $1 \Omega$  in series with  $C_I$ . An output capacitor  $C_Q$  is necessary for the stability of the regulating circuit. Stability is guaranteed at values of  $C_Q \geq 22 \mu\text{F}$  and an ESR of  $< 3 \Omega$ .

## Reset Circuitry

If the output voltage decreases below  $4.5 \text{ V}$ , an external capacitor  $C_D$  on pin 4 (D) will be discharged by the reset generator. If the voltage on this capacitor drops below  $V_{DL}$ , a reset signal is generated on pin 2 (RO), i.e. reset output is set low. If the output voltage rises above the reset threshold,  $C_D$  will be charged with constant current. After the power-on-reset time the voltage on the capacitor reaches  $V_{DU}$  and the reset output will be set high again. The value of the power-on-reset time can be set within a wide range depending of the capacitance of  $C_D$ .

## Reset Timing

The power-on reset delay time is defined by the charging time of an external capacitor  $C_D$  which can be calculated as follows:

$$C_D = (\Delta t \times I_{D,c}) / \Delta V \quad (1)$$

Definitions:

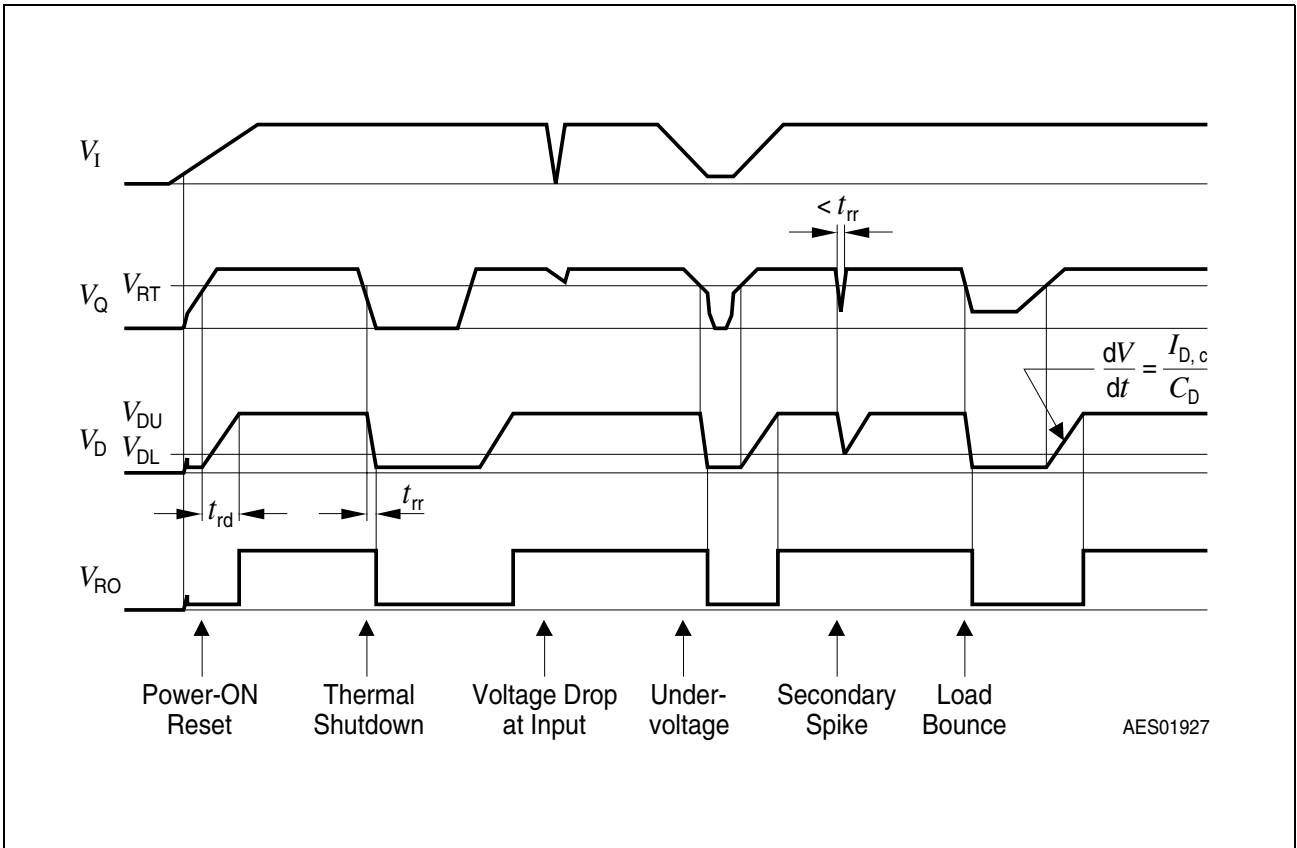
- $C_D$  = delay capacitors
- $\Delta t$  = reset delay time  $t_{rd}$
- $I_{D,c}$  = charge current, typical  $14 \mu\text{A}$
- $\Delta V = V_{DU}$ , typical  $1.8 \text{ V}$

$V_{DU}$  = upper reset timing threshold at  $C_D$  for reset delay time

$$t_{rd} = \Delta V \times C_D / I_{D,c} \quad (2)$$

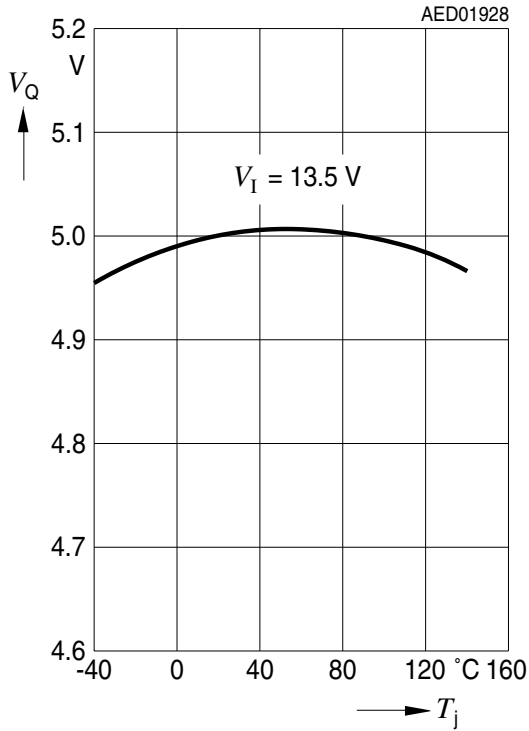
The reset reaction time  $t_{rr}$  is the time it takes the voltage regulator to set the reset out LOW after the output voltage has dropped below the reset threshold. It is typically  $1 \mu\text{s}$  for delay capacitor of  $47 \text{ nF}$ . For other values for  $C_D$  the reaction time can be estimated using the following equation:

$$t_{rr} \approx 20 \text{ s/F} \times C_D \quad (3)$$

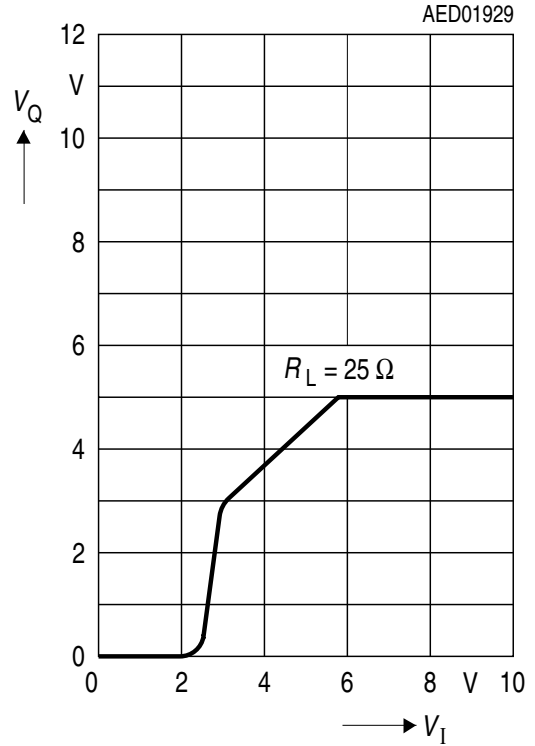


**Figure 5 Reset Time Response**

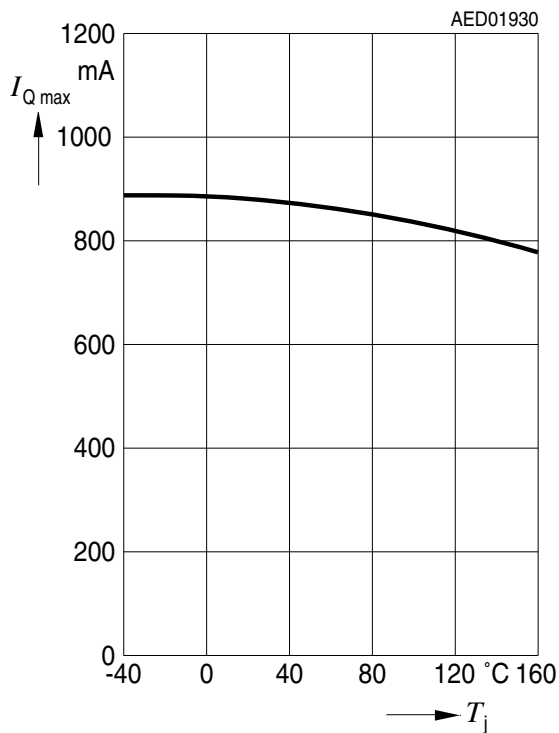
**Output Voltage  $V_Q$  versus Temperature  $T_j$**



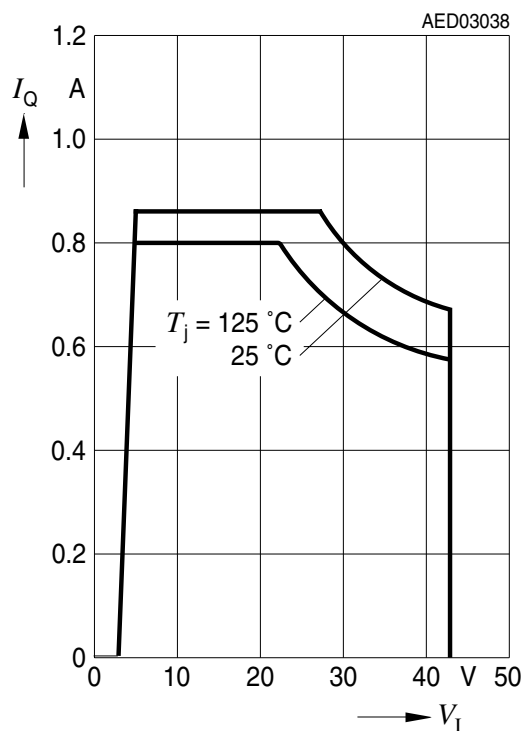
**Output Voltage  $V_Q$  versus Input Voltage  $V_I$**



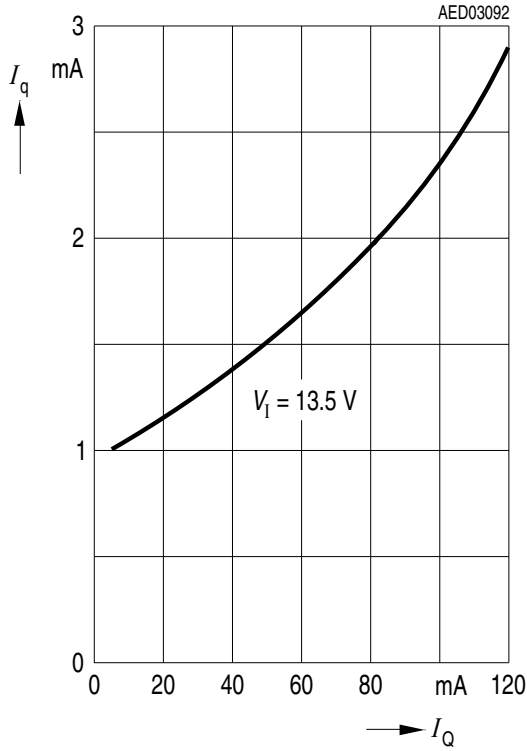
**Output Current  $I_Q$  versus Temperature  $T_j$**



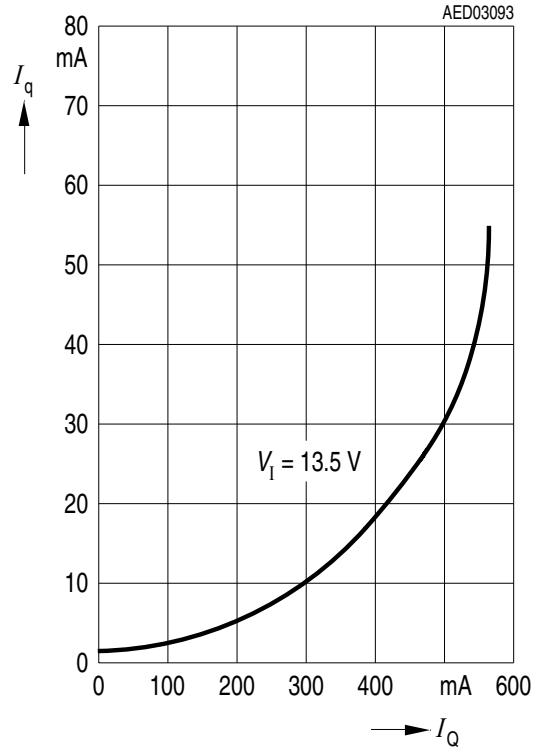
**Output Current  $I_Q$  versus Input Voltage  $V_I$**



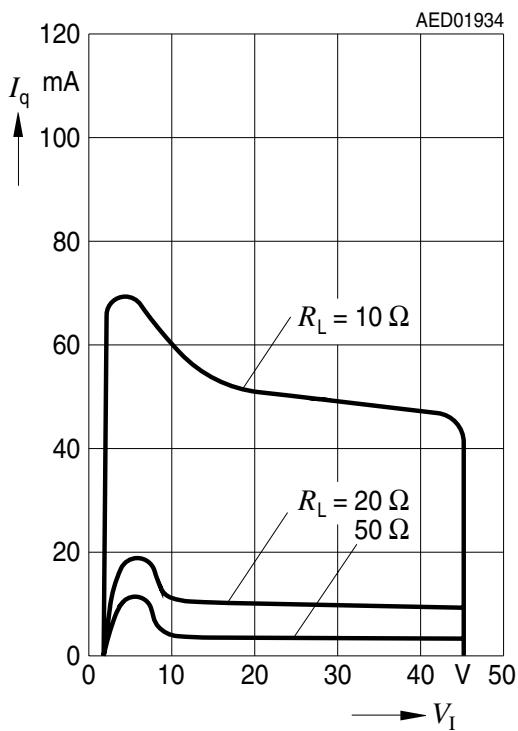
**Current Consumption  $I_q$  versus Output Current  $I_Q$**



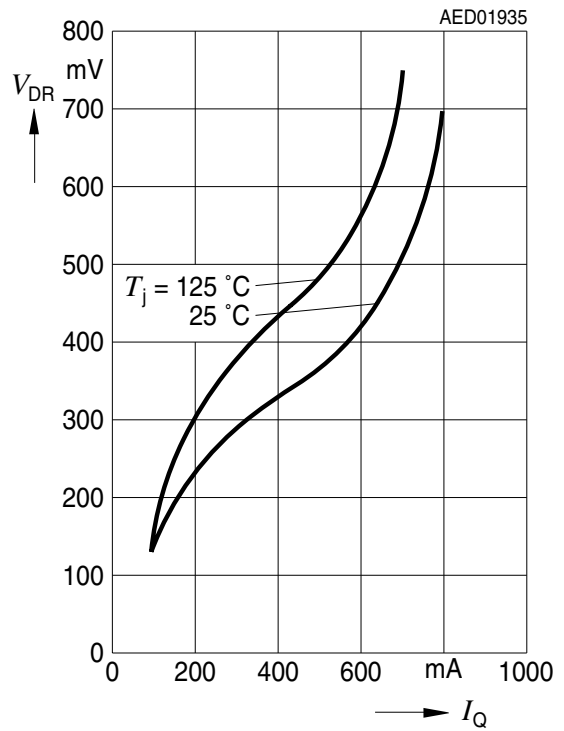
**Current Consumption  $I_q$  versus Output Current  $I_Q$**



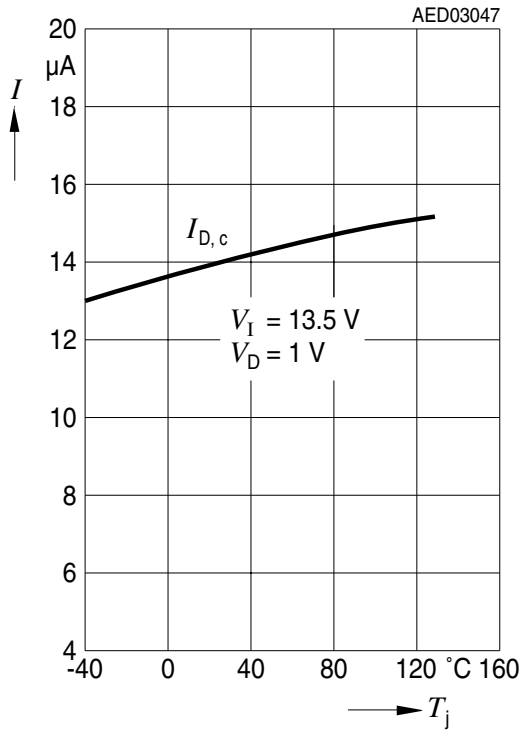
**Current Consumption  $I_q$  versus Input Voltage  $V_I$**



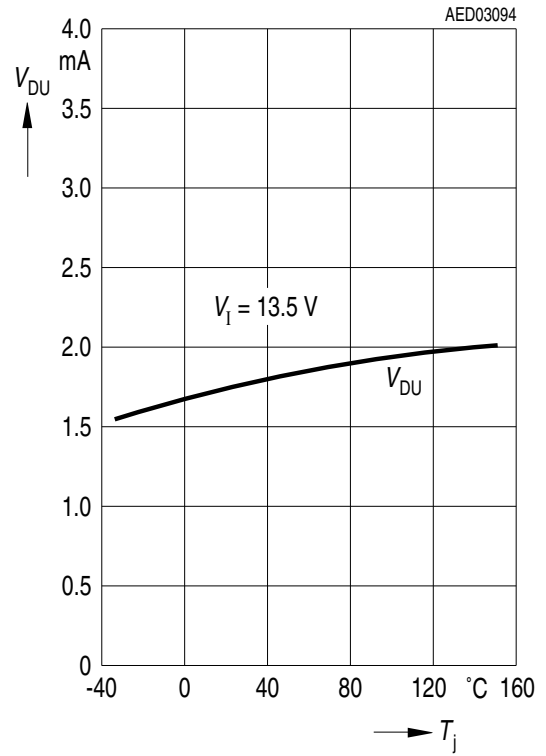
**Drop Voltage  $V_{DR}$  versus Output Current  $I_Q$**



**Charge Current  $I_{D,c}$  versus Temperature  $T_j$**



**Upper Reset Timing Threshold  $V_{DU}$  versus Temperature  $T_j$**



Package Outlines

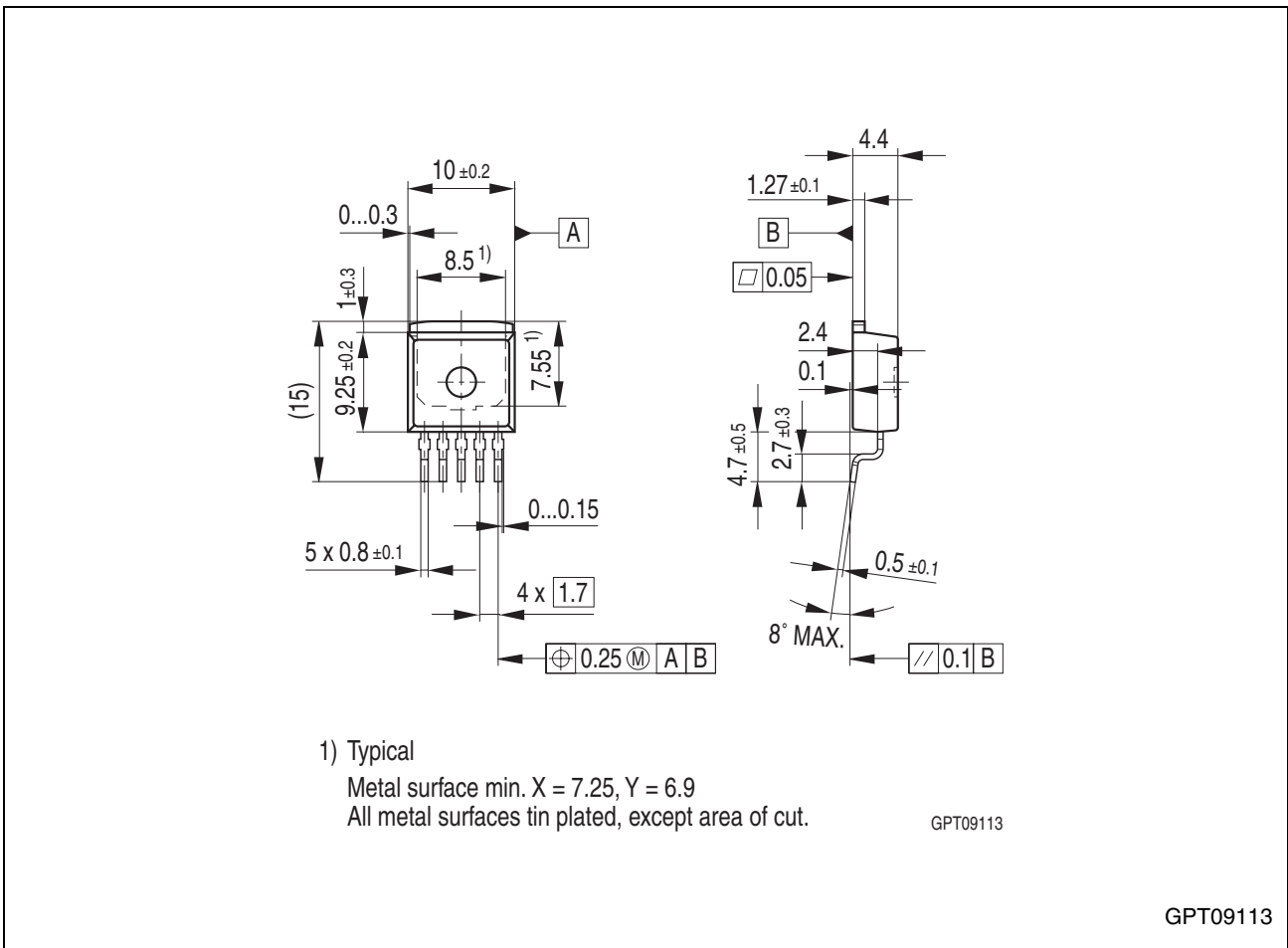


Figure 6 PG-TO263-5-1 (Plastic Transistor Single Outline)

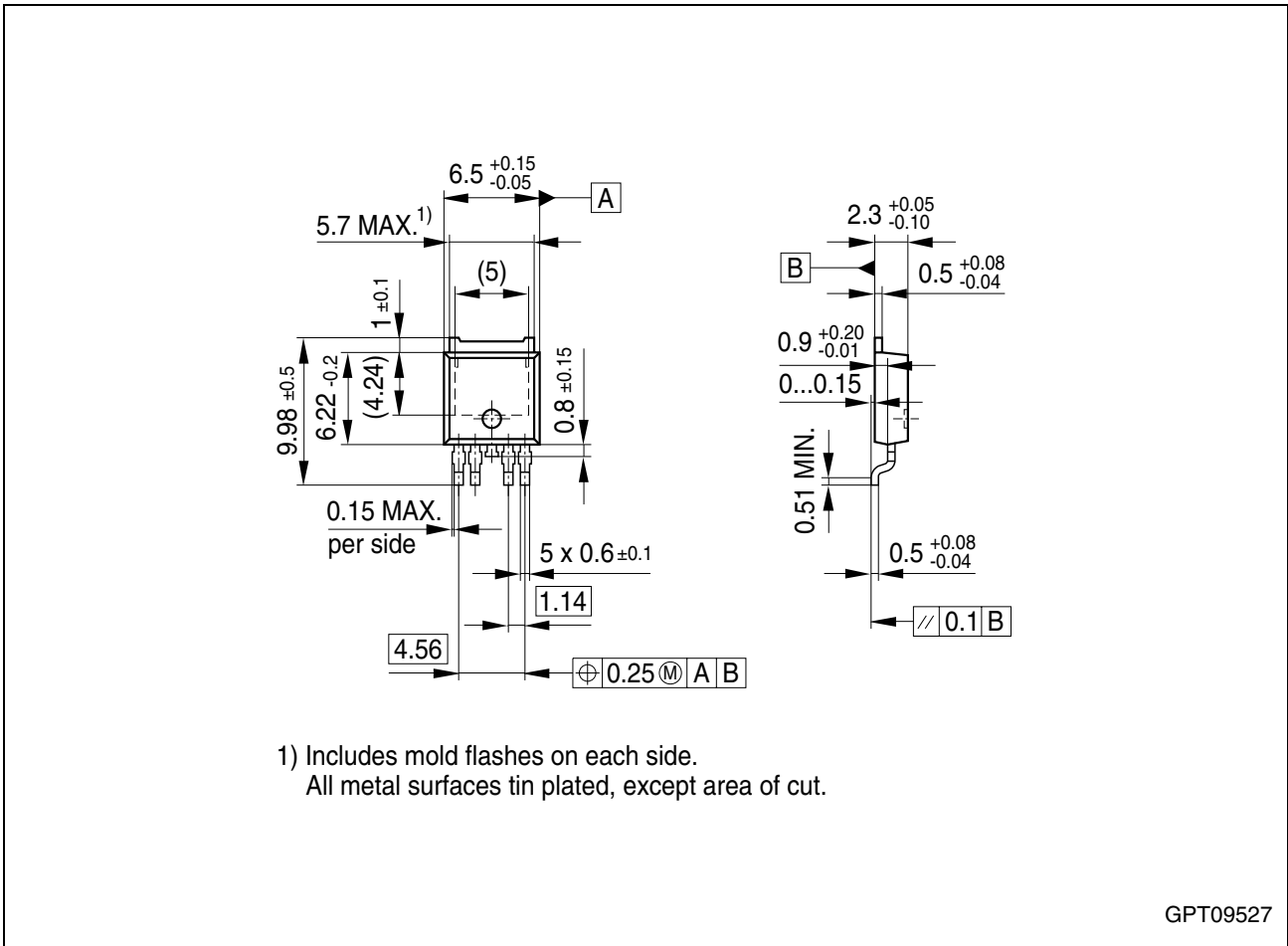
Green Product (RoHS compliant)

To meet the world-wide customer requirements for environmentally friendly products and to be compliant with government regulations the device is available as a green product. Green products are RoHS-Compliant (i.e Pb-free finish on leads and suitable for Pb-free soldering according to IPC/JEDEC J-STD-020).

You can find all of our packages, sorts of packing and others in our Infineon Internet Page "Products": <http://www.infineon.com/products>.

SMD = Surface Mounted Device

Dimensions in mm



**Figure 7 PG-TO252-5-11 (Plastic Transistor Single Outline)**

**Green Product (RoHS compliant)**

To meet the world-wide customer requirements for environmentally friendly products and to be compliant with government regulations the device is available as a green product. Green products are RoHS-Compliant (i.e Pb-free finish on leads and suitable for Pb-free soldering according to IPC/JEDEC J-STD-020).

You can find all of our packages, sorts of packing and others in our Infineon Internet Page “Products”: <http://www.infineon.com/products>.

SMD = Surface Mounted Device

Dimensions in mm

**Revision History**

Version	Date	Changes
Rev. 1.8	2007-11-09	<b>Page 1</b> : Changed ESD specification from ">4000V" to "±2kV HBM" according to PCN No. 2007-089
Rev. 1.7	2007-03-20	Initial version of RoHS-compliant derivate of TLE 4270 Change of product name to TLE 4270-2 due to modified chip layout and size. <b>Page 1</b> : AEC certified statement added <b>Page 1</b> and <b>Page 14</b> : RoHS compliance statement and Green product feature added <b>Page 1</b> and <b>Page 14</b> : Package changed to RoHS compliant version Legal Disclaimer updated



**Edition 2007-11-09**

**Published by  
Infineon Technologies AG  
81726 Munich, Germany**

**© 2007 Infineon Technologies AG  
All Rights Reserved.**

### **Legal Disclaimer**

The information given in this document shall in no event be regarded as a guarantee of conditions or characteristics. With respect to any examples or hints given herein, any typical values stated herein and/or any information regarding the application of the device, Infineon Technologies hereby disclaims any and all warranties and liabilities of any kind, including without limitation, warranties of non-infringement of intellectual property rights of any third party.

### **Information**

For further information on technology, delivery terms and conditions and prices, please contact the nearest Infineon Technologies Office ([www.infineon.com](http://www.infineon.com)).

### **Warnings**

Due to technical requirements, components may contain dangerous substances. For information on the types in question, please contact the nearest Infineon Technologies Office.

Infineon Technologies components may be used in life-support devices or systems only with the express written approval of Infineon Technologies, if a failure of such components can reasonably be expected to cause the failure of that life-support device or system or to affect the safety or effectiveness of that device or system. Life support devices or systems are intended to be implanted in the human body or to support and/or maintain and sustain and/or protect human life. If they fail, it is reasonable to assume that the health of the user or other persons may be endangered.

# Mouser Electronics

Authorized Distributor

Click to View Pricing, Inventory, Delivery & Lifecycle Information:

[Infineon:](#)

[TLE42702GATMA1](#)