



CYDMX256A16/CYDMX256B16
CYDMX128A16/CYDMX128B16
CYDMX064A16/CYDMX064B16

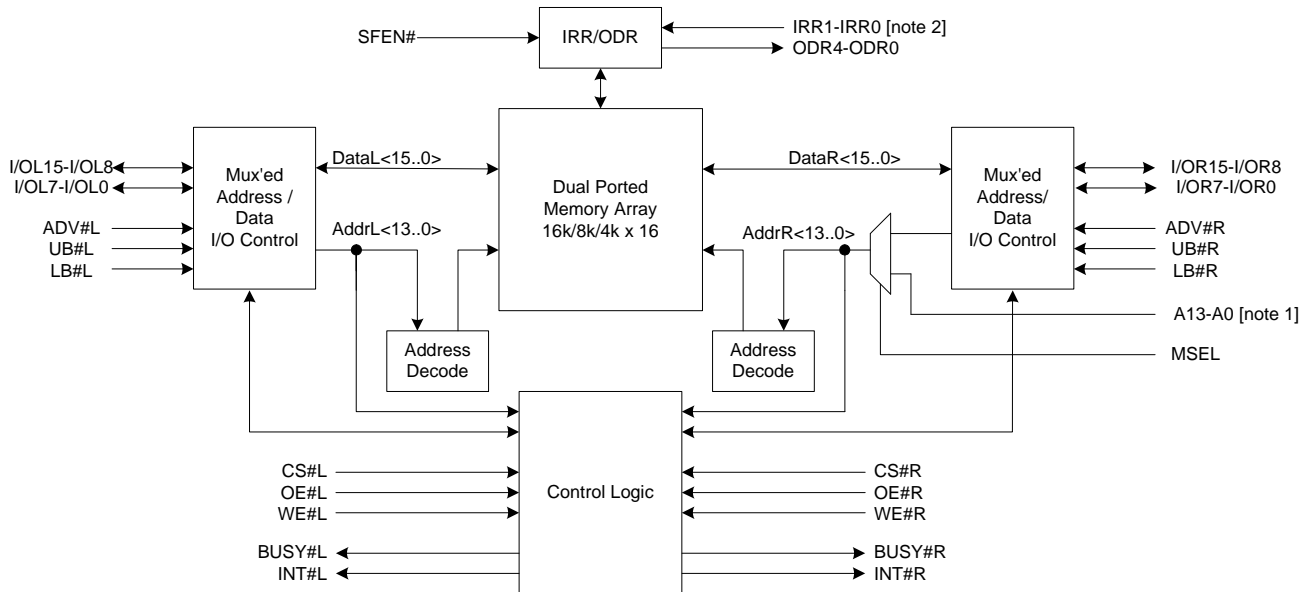
16 K/8 K/4 K × 16 MoBL[®] ADM

Asynchronous Dual-Port Static RAM

Features

- True dual-ported memory block that allow simultaneous independent access
 - One port with dedicated time multiplexed address and data (ADM) interface
 - One port configurable to standard SRAM or time multiplexed address and data interface
- 16 K/8 K/4 K × 16 memory configuration
- High speed access
 - 65 ns or 90 ns ADM interface
 - 40 ns or 60 ns standard SRAM interface
- Fully asynchronous operation
- Port independent 1.8 V, 2.5 V, and 3.0 V IOs
- Ultra low operating power
 - Active: I_{CC} = 15 mA (typical) at 90 ns
 - Active: I_{CC} = 25 mA (typical) at 65 ns
 - Standby: I_{SB3} = 2 μA (typical)
- Port independent power-down
- On-chip arbitration logic
- Mailbox interrupt for port to port communication
- Input Read and Output Drive registers
- Upper byte and lower byte control
- Small package: 6 × 6 mm, 100-ball Pb-free BGA
- Industrial temperature range

Block Diagram



Notes

1. A13-A0 for CYDMX256A16 and CYDMX256B16; A12-A0 for CYDMX128A16 and CYDMX128B16; and A11-A0 for CYDMX064A16 and CYDMX064B16.
2. IRR1 and IRR2 not available for CYDMX256A16 and CYDMX256B16.

Contents

Pin Configurations	3	Switching Waveforms	15
Pin Definitions	4	Ordering Information	21
Functional Description	4	16 K × 16 MoBL ADM	
Power Supply	4	Asynchronous Dual-Port SRAM	21
ADM Interface Read or Write Operation	4	8 K × 16 MoBL ADM	
Standard SRAM Interface		Asynchronous Dual-Port SRAM	21
Read or Write Operation	5	4 K × 16 MoBL ADM	
Byte Select Operation	5	Asynchronous Dual-Port SRAM	21
Chip Select Operation	5	Ordering Code Definitions	21
Output Enable Operation	5	Package Diagram	22
Mailbox Interrupts	5	Acronyms	23
Arbitration Logic	5	Document Conventions	23
Input Read Register	5	Units of Measure	23
Output Drive Register	5	Document History Page	24
Architecture	6	Sales, Solutions, and Legal Information	25
Maximum Ratings	8	Worldwide Sales and Design Support	25
Operating Range	8	Products	25
Electrical Characteristics for VCC = 1.8 V	8	PSoC® Solutions	25
Electrical Characteristics for VCC = 2.5 V	10	Cypress Developer Community	25
Electrical Characteristics for 3.0 V	11	Technical Support	25
Capacitance	11		
Switching Characteristics for VCC = 1.8 V	12		

Pin Configurations

Figure 1. 100-ball BGA pinout (Top View)

	1	2	3	4	5	6	7	8	9	10	
A	A5	A8	A11	UB#R	VSS	ADV#R	I/OR15	I/OR12	I/OR10	VSS	A
B	A3	A4	A7	A9	CE#R	WE#R	OE#R	VDDIOR	I/OR9	I/OR6	B
C	A0	A1	A2	A6	LB#R	IRR1 ^[3]	I/OR14	I/OR11	I/OR7	VSS	C
D	ODR4	ODR2	BUSY#R	INT#R	A10	A12 ^[4]	I/OR13	I/OR8	I/OR5	I/O2R	D
E	VSS	DNU	ODR3	INT#L	VSS	VSS	I/OR4	VDDIOR	I/OR1	VSS	E
F	SFEN#	ODR1	BUSY#L	DNU	VCC	VSS	I/OR3	I/OR0	I/OL15	VDDIOL	F
G	ODR0	DNU	DNU	DNU	OE#L	I/OL3	I/OL11	I/OL12	I/OL14	I/OL13	G
H	DNU	DNU	DNU	LB#L	CE#L	I/OL1	VDDIOL	MSEL	DNU	I/OL10	H
J	DNU	DNU	DNU	IRR0 ^[5]	VCC	VSS	I/OL4	I/OL6	I/OL8	I/OL9	J
K	DNU	DNU	DNU	UB#L	ADV#L	WE#L	I/OL0	I/OL2	I/OL5	I/OL7	K
	1	2	3	4	5	6	7	8	9	10	

Notes

3. This pin is A13 for CYDMX256A16 and CYDMX256B16.
4. This pin is DNU for CYDMX064A16 and CYDMX064B16.
5. This pin is DNU for CYDMX256A16 and CYDMX256B16.
6. DNU pins are "do not use" pins. No trace or power component can be connected to these pins.

Pin Definitions

Left Port	Right Port	Description
CS#L	CS#R	Chip select
WE#L	WE#R	Read/Write Enable
OE#L	OE#R	Output Enable
	A0–A13	Address (A0–A11 for 4K device; A0–A12 for 8K device; A0–A13 for 16K device)
	MSEL	Right port interface mode select (0: Standard SRAM; 1: Address/Data Mux)
IOL0–IOL15	IOR0–IOR15	Address/Data Bus Input/Output
ADV#L	ADV#R	Address Latch Enable; ADV#R only use when R-port is in ADM mode
UB#L	UB#R	Upper byte select (IO8–IO15)
LB#L	LB#R	Lower byte select (IO0–IO7)
INT#L	INT#R	Interrupt Flag
BUSY#L	BUSY#R	Busy Flag
SFEN#		Special Function Enable Signal
IRR0–IRR1		Input signals for input read registers for CYDMX128A16, CYDMX128B16, CYDMX064A16 and CYDMX064B16; IRR0 is DNU and IRR1 is A13 for CYDMX256A16 and CYDMX256B16.
ODR0–ODR4		Output signals for output drive registers; These are open drained outputs.
V _{CC}		Core power supply
GND		Ground
VDDIOL		Left port IO power supply
VDDIOR		Right port IO power supply
DNU		No Connect; Do not connect trace or power component to these pins.

Functional Description

The CYDMX256A16, CYDMX128A16, CYDMX064A16, CYDMX256B16, CYDMX128B16, and CYDMX064B16 are low power CMOS 16K/8K/4K × 16 dual-port static RAMs. The two ports are: one dedicated time multiplexed address and data (ADM) interface and one configurable standard SRAM or ADM interface. The two ports permit independent, asynchronous read and write access to any memory locations. Each port has independent control pins: Chip Select (CS#), Write Enable (WE#), and Output Enable (OE#). Two output flags are provided on each port (BUSY# and INT#). BUSY# flag is triggered when the port is trying to access the same memory location currently being accessed by the other port. The Interrupt flag (INT#) permits communication between ports or systems by means of a mailbox. Power-down feature is controlled independently on each port by a Chip Select (CS#) pin.

The CYDMX256A16, CYDMX128A16, CYDMX064A16, CYDMX256B16, CYDMX128B16, and CYDMX064B16 are available in 100-ball 0.5-mm pitch Ball Grid Array (BGA) packages. Application areas include interprocessor and multiprocessor designs, communications status buffering, and dual-port video and graphics memory.

Power Supply

The core voltage (V_{CC}) can be 1.8 V, 2.5 V, or 3.0 V, as long as it is lower than or equal to the IO voltage. Each port operates on

independent IO voltages. This is determined by what is connected to the V_{DDIOL} and V_{DDIOR} pins. The supported IO standards are 1.8 V and 2.5 V LVCMOS and 3.0 V LVTTTL.

ADM Interface Read or Write Operation

This description is applicable to both the left ADM port and right port configured as an ADM port.

Three control signals, ADV#, WE#, and CS# are used to perform the read and write operations. Address signals are first applied to the IO bus along with CS# LOW. The addresses are loaded from the IO bus in response to the rising edge of the Address Latch Enable (ADV#) signal. It is necessary to meet the setup (t_{AVDS}) and hold (t_{AVDH}) times given in the AC specifications with valid address information to properly latch the addresses.

After the address signals are latched in, a read operation is issued when WE# stays HIGH. The IO bus becomes High Z when the address signals meet t_{AVDH}. The read data is driven on the IO bus t_{OE} after the OE# is asserted LOW, and held until t_{HZOE} or t_{HZCS} after the rising edge of OE# or CS#, whichever comes first.

A write operation is issued when WE# is asserted LOW. The write data is applied to the IO bus right after address meets the hold time (t_{AVDH}). And write data is written with the rising edge of either WE# or CS#, whichever comes first, and meets data setup (t_{SD}) and hold (t_{HD}) times.

Standard SRAM Interface Read or Write Operation

This description is applicable to the right access port configured as standard SRAM port. Read and write operations with standard SRAM interface configuration is the same as the ADM port except addresses are presented on the A bus. Operation is controlled by CS#, OE#, and WE#. A read operation is issued when WE# is asserted HIGH. A write operation is issued when WE# is asserted LOW. The IO bus is the destination for read data and the source for write data when the read operation is issued. However, write data must be driven to IO when the write operation is issued.

Byte Select Operation

The fundamental word size is 16 bits. Each word is broken up into two 8-bit bytes. Each port has two active LOW byte enables: UB# and LB#. Activating or deactivating the byte enables alters the result of read and write operations to the port. During a write, byte enable asserted HIGH inhibits the corresponding byte to be updated in the addressed memory location. During a read, both byte enables are inputs to the asynchronous output enable control logic. When a byte enable is asserted HIGH, the corresponding data byte is tristated. Subsequently, when the byte enable is asserted LOW, the corresponding data byte is driven with the read data.

Chip Select Operation

Each port has one active LOW chip select signal, CS#. CS# must be asserted LOW for the port to be considered active. To issue a valid read or write operation, the chip select input must be asserted LOW throughout the read or write cycle. When CS# is deasserted HIGH during a write, if t_{WRL} , t_{SD} , and t_{HD} are not met, the contents of the addressed location is not altered.

An automatic power-down feature controlled by deactivating the chip select (CS# HIGH) permits the on-chip circuitry of each port to enter a very low standby power mode.

Output Enable Operation

Each port has one output enable signal, OE#. When OE# is asserted HIGH, IO bus is tri-stated after t_{HZOE} . When OE# is asserted LOW, control of the IO bus is assumed by the asynchronous output enable logic (the logic is controlled by inputs WE#, CS#, UB#, and LB#).

Mailbox Interrupts

The upper two memory locations are used for message passing. The highest memory location (0xFFF for CYDMX064A16 and CYDMX064B16, 0x1FFF for CYDMX128A16 and CYDMX128B16, and 0x3FFF for CYDMX256A16 and CYDMX256B16) is the mailbox for the right port. The second highest memory location (0xFFE for CYDMX064A16 and CYDMX064B16, 0x1FFE for CYDMX128A16 and CYDMX128B16, and 0x3FFE for CYDMX256A16 and CYDMX256B16) is the mailbox for the left port. When one port writes to the opposite port's mailbox, an interrupt signal is generated to the opposite port. The interrupt

resets when the owner reads the contents of its own mailbox. The message written to the mailbox is user defined.

Each port reads the other port's mailbox without resetting the interrupt. The active state of the busy signal (to a port) prevents the port from setting the interrupt to the winning port. Also, an active busy to a port prevents that port from reading its own mailbox and resetting the interrupt to it.

On power-up, both interrupts are set by default. An initialization program must be run to reset the interrupts.

If an application does not require message passing, do not connect the interrupt pin to the processor's interrupt request input pin.

Arbitration Logic

The CYDMX256A16, CYDMX128A16, CYDMX064A16, CYDMX256B16, CYDMX128B16, and CYDMX064B16 provide on-chip arbitration to resolve simultaneous memory location access (collision). If both ports' CS# signals are asserted and an address match occurs within each other, the busy logic determines which port has access. If t_{PS} is violated, one of the two ports gains permission to the location, but it is not predictable which port gets the permission. BUSY# is asserted t_{BLA} after an address match or t_{BLC} after CS# is taken LOW.

Input Read Register

The Input Read Register (IRR) feature is available only for CYDMX128A16, CYDMX128B16, CYDMX064A16, and CYDMX064B16 devices. When SFEN# = V_{IL} , the IRR captures the status of two external devices connected to the Input Read pins (IRR0 and IRR1) to address location 0x0000. Address 0x0000 is not available for standard memory accesses when SFEN# = V_{IL} . When SFEN# = V_{IH} , address 0x0000 is available for normal memory accesses. Either port accesses the contents of IRR with normal read operation from address 0x0000. During reads from the IRR, IO<1:0> are valid bits and IO<15:2> are don't care. The IRR inputs are 1.8 V and 2.5 V LVCMOS or 3.0 V LVTTTL, depending on the core voltage supply (V_{CC}).

Output Drive Register

The Output Drive Register (ODR) determines the state of up to five external binary state devices by providing a path to V_{SS} for the external circuit. These outputs are open drain. The five external devices operates at different voltages ($1.5 V \leq V_{DDIO} \leq 3.5 V$) but the combined current cannot exceed 40 mA (8 mA maximum for each external device). The status of the ODR bits are set using standard write accesses from either port to address 0x0001 with a '1' corresponding to on and '0' corresponding to off. The status of the ODR bits are read with a normal read access to address 0x0001. When SFEN# = V_{IL} , the ODR is active and address 0x0001 is not available for memory accesses. When SFEN# = V_{IH} , the ODR is inactive and address 0x0001 is used for standard accesses. During reads and writes to ODR, IO<4:0> are valid and IO<15:5> are don't care.

Architecture

The CYDMX256A16, CYDMX128A16, CYDMX064A16, CYDMX256B16, CYDMX128B16, and CYDMX064B16 consist of an array of 16K, 8K, and 4K words of 16 dual-ported SRAM cells, IO, address lines, and control signals (CS#, ADV#, OE#, and WE#). Between the two access ports, one is a dedicated time multiplexed address and data interface; the other is a pin selectable port to either standard SRAM or time multiplexed

address and data interface. Independent control signals for each port permit simultaneous access to any location in memory. To handle the situation of writing and reading to the same location, a BUSY# pin is provided on each port. For port to port communication, an Interrupt (INT#) pin is also available on each port.

Table 1. ADM Interface Read/Write with Byte Select Operations

ADV#	CS#	WE#	OE#	UB#	LB#	IO0 - IO15	Mode
X	H	X	X	X	X	High Z	Deselected or power-down
X	X	X	H	X	X	High Z	Output disable
X	X	X	X	H	H	High Z	Upper and lower byte deselected
Pulse	L	H	L	L	L	Data Out (IO0-IO15)	Read upper and lower bytes
Pulse	L	H	L	H	L	Data Out (IO0-IO7) High Z (IO8-IO15)	Read lower byte only
Pulse	L	H	L	L	H	High Z (IO0-IO7) Data Out (IO8-IO15)	Read upper byte only
Pulse	L	L	X	L	L	Data In (IO0-IO15)	Write upper and lower bytes
Pulse	L	L	X	H	L	Data In (IO0-IO7) High Z (IO8-IO15)	Write lower byte only
Pulse	L	L	X	L	H	High Z (IO0-IO7) Data In (IO8-IO15)	Write upper byte only

Table 2. Standard SRAM Interface Read/Write with Byte Select Operations

CS#	WE#	OE#	UB#	LB#	IO0-IO15	Mode
H	X	X	X	X	High Z	Deselected or power-down
X	X	H	X	X	High Z	Output disable
X	X	X	H	H	High Z	Upper and lower byte deselected
L	H	L	L	L	Data Out (IO0-IO15)	Read upper and lower bytes
L	H	L	H	L	Data Out (IO0-IO7) High Z (IO8-IO15)	Read lower byte only
L	H	L	L	H	High Z (IO0-IO7) Data Out (IO8-IO15)	Read upper byte only
L	L	X	L	L	Data In (IO0-IO15)	Write upper and lower bytes
L	L	X	H	L	Data In (IO0-IO7) High Z (IO8-IO15)	Write lower byte only
L	L	X	L	H	High Z (IO0-IO7) Data In (IO8-IO15)	Write upper byte only

Table 3. Interrupt Operation Example (Assumes BUSY#L = BUSY#R = HIGH)

Function	Left Port					Right Port				
	WE#L	CS#L	OE#L	AddressL	INT#L	WE#R	CS#R	OE#R	AddressR	INT#R
Set Right INT#R Flag	L	L	X	0x3FFF ^[7]	X	X	X	X	X	L
Reset Right INT#R Flag	X	X	X	X	X	X	L	L	0x3FFF ^[7]	H
Set Left INT#L Flag	X	X	X	X	L	L	L	X	0x3FFE ^[8]	X
Reset Left INT#L Flag	X	L	L	0x3FFE ^[8]	H	X	X	X	X	X

Table 4. Arbitration Winning Port

CS#L	CS#R	Address Match Left/Right Port	BUSY#L	BUSY#R	Function
X	X	No Match	H	H	Normal
H	X	Match	H	H	Normal
X	H	Match	H	H	Normal
L	L	Match	See Note ^[9]	See Note ^[9]	Write Inhibit ^[10]

Table 5. Input Read Register Operation^[11]

SFEN#	CS#	WE#	OE#	UB#	LB#	ADDR	IO ₀ -IO ₁	IO ₂ -IO ₁₅	Mode
H	L	H	L	L	L	x0000-Max	VALID ^[12]	VALID ^[12]	Standard Memory Access
L	L	H	L	X	L	x0000	VALID ^[13]	X	IRR Read

Table 6. Output Drive Register^[15]

SFEN#	CS#	WE#	OE#	UB#	LB#	ADDR	IO ₀ -IO ₄	IO ₅ -IO ₁₅	Mode
H	L	H	X ^[16]	L ^[12]	L ^[12]	x0000-Max	VALID ^[12]	VALID ^[12]	Standard Memory Access
L	L	L	X	X	L	x0001	VALID ^[13]	X	ODR Write ^[17]
L	L	H	L	X	L	x0001	VALID ^[13]	X	ODR Read

Notes

7. 0x3FFF for CYDMX256A16 and CYDMX256B16, 0x1FFF for CYDMX128A16 and CYDMX128B16, 0x3FFF for CYDMX064A16 and CYDMX064B16.
8. 0x3FFE for CYDMX256A16 and CYDMX256B16, 0x1FFE for CYDMX128A16 and CYDMX128B16, 0x3FFE for CYDMX064A16 and CYDMX064B16.
9. If it meets tPS, "L" if the CS# and address of the opposite port become stable BEFORE the current port; "H" if the CS# and address of the opposite port become stable AFTER the current port. If tPS is not met, either BUSY#L or BUSY#R results "L". BUSY#L and BUSY#R cannot be "L" simultaneously.
10. Write operations to the left port are internally ignored when BUSY#L is driving LOW regardless of actual logic level on the pin; Write operations to the right port are internally ignored when BUSY#R is driving LOW regardless of actual logic level on the pin.
11. SFEN# = V_{IL} for IRR reads.
12. UB# or LB# = V_{IL}. If LB# = V_{IL}, then IO<7:0> are valid. If UB# = V_{IL} then IO<15:8> are valid.
13. LB# must be active (LB# = V_{IL}) for these bits to be valid.
14. SFEN# active when either CS#L = V_{IL} or CS#R = V_{IL}. It is inactive when CS#L = CS#R = V_{IH}.
15. SFEN# = V_{IL} for ODR reads and writes.
16. Output enable must be low (OE# = V_{IL}) during reads for valid data to be output.
17. During ODR writes data is also written to the memory.



Maximum Ratings

Exceeding maximum ratings^[18] may shorten the useful life of the device. User guidelines are not tested.

Storage Temperature -65 °C to +150 °C
 Ambient Temperature with Power Applied -55 °C to +125 °C
 Supply Voltage to Ground Potential.....-0.5 V to +3.3 V
 DC Voltage Applied to Outputs in High Z State -0.5 V to V_{CC} + 0.5 V

DC Input Voltage^[19].....-0.5 V to V_{CC} + 0.5 V
 Output Current into Outputs (LOW)..... 90 mA
 Static Discharge Voltage..... > 2000 V
 Latch up Current..... > 200 mA

Operating Range

Range	Ambient Temperature	V _{CC}
Industrial	-40 °C to +85 °C	1.8 V ± 100 mV 2.5 V ± 100 mV 3.0 V ± 300 mV

Electrical Characteristics for V_{CC} = 1.8 V

Over the Operating Range

Parameter	Description			CYDMX256A16 CYDMX128A16			CYDMX256B16 CYDMX128B16 CYDMX064B16			CYDMX256A16 CYDMX128A16 CYDMX064A16			Unit
				-65			-65			-90			
		P1 IO Voltage	P2 IO Voltage	Min	Typ	Max	Min	Typ	Max	Min	Typ	Max	
V _{OH}	Output HIGH voltage (I _{OH} = -100 μA)	1.8 V (any port)		V _{DDIO} - 0.2	-	-	V _{DDIO} - 0.2	-	-	V _{DDIO} - 0.2	-	-	V
	Output HIGH voltage (I _{OH} = -2 mA)	2.5 V (any port)		2.0	-	-	2.0	-	-	2.0	-	-	V
	Output HIGH voltage (I _{OH} = -2 mA)	3.0 V (any port)		2.1	-	-	2.1	-	-	2.1	-	-	V
V _{OL}	Output LOW voltage (I _{OL} = 100 μA)	1.8 V (any port)		-	-	0.2	-	-	0.2	-	-	0.2	V
	Output HIGH voltage (I _{OH} = 2 mA)	2.5 V (any port)		-	-	0.4	-	-	0.4	-	-	0.4	V
	Output HIGH voltage (I _{OH} = 2 mA)	3.0 V (any port)		-	-	0.4	-	-	0.4	-	-	0.4	V
V _{OL} ODR	ODR output LOW voltage (I _{OL} = 8 mA)	1.8 V (any port)		-	-	0.2	-	-	0.2	-	-	0.2	V
		2.5 V (any port)		-	-	0.2	-	-	0.2	-	-	0.2	V
		3.0 V (any port)		-	-	0.2	-	-	0.2	-	-	0.2	V
V _{IH}	Input HIGH voltage	1.8 V (any port)		1.2	-	V _{DDIO} + 0.2	1.2	-	V _{DDIO} + 0.2	1.2	-	V _{DDIO} + 0.2	V
		2.5 V (any port)		1.7	-	V _{DDIO} + 0.3	1.7	-	V _{DDIO} + 0.3	1.7	-	V _{DDIO} + 0.3	V
		3.0 V (any port)		2.0	-	V _{DDIO} + 0.2	2.0	-	V _{DDIO} + 0.2	2.0	-	V _{DDIO} + 0.2	V
V _{IL}	Input LOW voltage	1.8 V (any port)		-0.2	-	0.4	-0.2	-	0.4	-0.2	-	0.4	V
		2.5 V (any port)		-0.3	-	0.6	-0.3	-	0.6	-0.3	-	0.6	V
		3.0 V (any port)		-0.2	-	0.7	-0.2	-	0.7	-0.2	-	0.7	V
I _{OZ}	Output leakage current	1.8 V	1.8 V	-1	-	1	-1	-	1	-1	-	1	μA
		2.5 V	2.5 V	-1	-	1	-1	-	1	-1	-	1	μA
		3.0 V	3.0 V	-1	-	1	-1	-	1	-1	-	1	μA
I _{CEX} ODR	ODR output leakage current. V _{OUT} = V _{DDIO}	1.8 V	1.8 V	-1	-	1	-1	-	1	-1	-	1	μA
		2.5 V	2.5 V	-1	-	1	-1	-	1	-1	-	1	μA
		3.0 V	3.0 V	-1	-	1	-1	-	1	-1	-	1	μA

Notes

- 18. The voltage on any input or IO pin cannot exceed the power pin during power-up.
- 19. Pulse width < 20 ns.

Electrical Characteristics for $V_{CC} = 1.8\text{ V}$ (continued)

Over the Operating Range (continued)

Parameter	Description			CYDMX256A16 CYDMX128A16			CYDMX256B16 CYDMX128B16 CYDMX064B16			CYDMX256A16 CYDMX128A16 CYDMX064A16			Unit	
				-65			-65			-90				
		P1 IO Voltage	P2 IO Voltage	Min	Typ	Max	Min	Typ	Max	Min	Typ	Max		
I_{IX}	Input leakage current	1.8 V	1.8 V	-1	-	1	-1	-	1	-1	-	1	μA	
		2.5 V	2.5 V	-1	-	1	-1	-	1	-1	-	1	μA	
		3.0 V	3.0 V	-1	-	1	-1	-	1	-1	-	1	μA	
I_{CC}	Operating current ($V_{CC} = \text{Max}$, $I_{OUT} = 0\text{ mA}$) outputs disabled	Ind.	1.8 V	1.8 V	-	25	40	-	25	40	-	15	25	mA
I_{SB1}	Standby current (both ports TTL level) CE#L and CE#R $\geq V_{CC} - 0.2$, $f = f_{MAX}$	Ind.	1.8 V	1.8 V	-	2	6	-	2	6	-	2	6	μA
I_{SB2}	Standby current (One Port TTL level) CE#L or CE#R $\geq V_{IH}$, $f = f_{MAX}$	Ind.	1.8 V	1.8 V	-	8.5	18	-	8.5	18	-	8.5	14	mA
I_{SB3}	Standby current (both ports CMOS level) CE#L and CE#R $\geq V_{CC} - 0.2\text{ V}$, $f = 0$	Ind.	1.8 V	1.8 V	-	2	6	-	2	6	-	2	6	μA
I_{SB4}	Standby current (one port CMOS level) CE#L or CE#R $\geq V_{IH}$, $f = f_{MAX}^{[20]}$	Ind.	1.8 V	1.8 V	-	8.5	18	-	8.5	18	-	8.5	14	mA

Note

20. $f_{MAX} = 1/t_{RC} =$ All inputs cycling at $f = 1/t_{RC}$ (except output enable). $f = 0$ means no address or control lines change. This applies only to inputs at CMOS level standby I_{SB3} .

Electrical Characteristics for $V_{CC} = 2.5\text{ V}$

Over the Operating Range

Parameter	Description			CYDMX256A16 CYDMX128A16			CYDMX256B16 CYDMX128B16 CYDMX064B16			CYDMX256A16 CYDMX128A16 CYDMX064A16			Unit	
				-65			-65			-90				
		P1 IO Voltage	P2 IO Voltage	Min	Typ	Max	Min	Typ	Max	Min	Typ	Max		
V_{OH}	Output HIGH voltage ($I_{OH} = -2\text{ mA}$)	2.5 V (any port)		2.0	-	-	2.0	-	-	2.0	-	-	V	
		3.0 V (any port)		2.1	-	-	2.1	-	-	2.1	-	-	V	
V_{OL}	Output LOW voltage ($I_{OL} = 2\text{ mA}$)	2.5 V (any port)		-	-	0.4	-	-	0.4	-	-	0.4	V	
		3.0 V (any port)		-	-	0.4	-	-	0.4	-	-	0.4	V	
V_{OL} ODR	ODR Output LOW voltage ($I_{OL} = 8\text{ mA}$)	2.5 V (any port)		-	-	0.2	-	-	0.2	-	-	0.2	V	
		3.0 V (any port)		-	-	0.2	-	-	0.2	-	-	0.2	V	
V_{IH}	Input HIGH voltage	2.5 V (any port)		1.7	-	$V_{DDIO} + 0.3$	1.7	-	$V_{DDIO} + 0.3$	1.7	-	$V_{DDIO} + 0.3$	V	
		3.0 V (any port)		2.0	-	$V_{DDIO} + 0.2$	2.0	-	$V_{DDIO} + 0.2$	2.0	-	$V_{DDIO} + 0.2$	V	
V_{IL}	Input LOW voltage	2.5 V (any port)		-0.3	-	0.6	-0.3	-	0.6	-0.3	-	0.6	V	
		3.0 V (any port)		-0.2	-	0.7	-0.2	-	0.7	-0.2	-	0.7	V	
I_{OZ}	Output leakage current	2.5 V	2.5 V	-1	-	1	-1	-	1	-1	-	1	μA	
		3.0 V	3.0 V	-1	-	1	-1	-	1	-1	-	1	μA	
I_{CEX} ODR	ODR output leakage current. $V_{OUT} = V_{CC}$	2.5 V	2.5 V	-1	-	1	-1	-	1	-1	-	1	μA	
		3.0 V	3.0 V	-1	-	1	-1	-	1	-1	-	1	μA	
I_{IX}	Input leakage current	2.5 V	2.5 V	-1	-	1	-1	-	1	-1	-	1	μA	
		3.0 V	3.0 V	-1	-	1	-1	-	1	-1	-	1	μA	
I_{CC}	Operating current ($V_{CC} = \text{Max}$, $I_{OUT} = 0\text{ mA}$) outputs disabled	Ind.	2.5 V	2.5 V	-	39	55	-	39	55	-	28	40	mA
I_{SB1}	Standby current (both ports TTL level) CE#L and CE#R $\geq V_{CC} - 0.2$, $f = f_{MAX}$	Ind.	2.5 V	2.5 V	-	6	8	-	6	8	-	6	8	μA
I_{SB2}	Standby current (one port TTL level) CE#L or CE#R $\geq V_{IH}$, $f = f_{MAX}$	Ind.	2.5 V	2.5 V	-	21	30	-	21	30	-	18	25	mA
I_{SB3}	Standby current (both ports CMOS level) CE#L and CE#R $\geq V_{CC} - 0.2\text{ V}$, $f = 0$	Ind.	2.5 V	2.5 V	-	4	6	-	4	6	-	4	6	μA
I_{SB4}	Standby current (one port CMOS level) CE#L or CE#R $\geq V_{IH}$, $f = f_{MAX}$ ^[21]	Ind.	2.5 V	2.5 V	-	21	30	-	21	30	-	18	25	mA

Note

21. $f_{MAX} = 1/t_{RC}$ = All inputs cycling at $f = 1/t_{RC}$ (except output enable). $f = 0$ means no address or control lines change. This applies only to inputs at CMOS level standby I_{SB3} .

Electrical Characteristics for 3.0 V

Over the Operating Range

Parameter	Description			CYDMX256A16 CYDMX128A16			CYDMX256B16 CYDMX128B16 CYDMX064B16			CYDMX256A16 CYDMX128A16 CYDMX064A16			Unit	
				-65			-65			-90				
				P1 IO Voltage	P2 IO Voltage	Min	Typ	Max	Min	Typ	Max	Min		Typ
V _{OH}	Output HIGH voltage (I _{OH} = -2 mA)	3.0 V (any port)		2.1	-	-	2.1	-	-	2.1	-	-	V	
V _{OL}	Output LOW voltage (I _{OL} = 2 mA)	3.0 V (any port)		-	-	0.4	-	-	0.4	-	-	0.4	V	
V _{OL} ODR	ODR output LOW voltage (I _{OL} = 8 mA)	3.0 V (any port)		-	-	0.2	-	-	0.2	-	-	0.2	V	
V _{IH}	Input HIGH voltage	3.0 V (any port)		2.0	-	V _{DDIO} + 0.2	2.0	-	V _{DDIO} + 0.2	2.0	-	V _{DDIO} + 0.2	V	
V _{IL}	Input LOW voltage	3.0 V (any port)		-0.2	-	0.7	-0.2	-	0.7	-0.2	-	0.7	V	
I _{OZ}	Output leakage current	3.0 V	3.0 V	-1	-	1	-1	-	1	-1	-	1	μA	
I _{CEX} ODR	ODR output leakage current. V _{OUT} = V _{CC}	3.0 V	3.0 V	-1	-	1	-1	-	1	-1	-	1	μA	
I _{IX}	Input leakage current	3.0 V	3.0 V	-1	-	1	-1	-	1	-1	-	1	μA	
I _{CC}	Operating current (V _{CC} = Max, I _{OUT} = 0 mA) outputs disabled	Ind.	3.0 V	3.0 V	-	49	70	-	49	70	-	42	60	mA
I _{SB1}	Standby current (both ports TTL level)	Ind.	3.0 V	3.0 V		7	10		7	10		7	10	μA
I _{SB2}	CE#L and CE#R ≥ V _{CC} - 0.2, f = f _{MAX}	Ind.	3.0 V	3.0 V		28	40		28	40		25	35	mA
I _{SB3}	Standby current (one port TTL level)	Ind.	3.0 V	3.0 V		6	8		6	8		6	8	μA
I _{SB4}	CE#L or CE#R ≥ V _{IH} , f = f _{MAX}	Ind.	3.0 V	3.0 V		28	40		28	40		25	35	mA

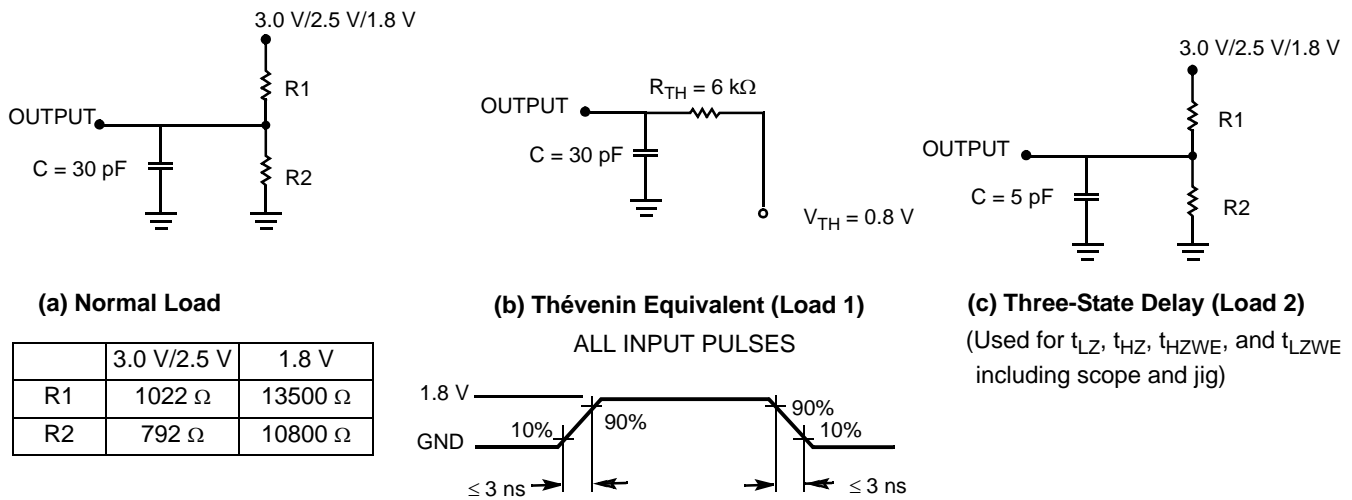
Capacitance

Parameter ^[22]	Description	Test Conditions	Max	Unit
C _{IN}	Input capacitance	T _A = 25 °C, f = 1 MHz, V _{CC} = 3.0 V	9	pF
C _{OUT}	Output capacitance		10	pF

Note

22. Tested initially and after any design or process changes that may affect these parameters.

Figure 2. AC Test Loads and Waveforms



Switching Characteristics for $V_{CC} = 1.8 V$

Over the Operating Range ^[23]

Parameter	Description	CYDMX256A16 CYDMX128A16		CYDMX256B16 CYDMX128B16 CYDMX064B16		CYDMX256A16 CYDMX128A16 CYDMX064A16		Unit
		-65		-65		-90		
		Min	Max	Min	Max	Min	Max	
AD Mux Port Read Cycle ^[24]								
t_{RC}	Read cycle time	65	–	65	–	90	–	ns
t_{ACC1}	Random access ADV# Low to data valid	–	65	–	65	–	90	ns
t_{ACC2}	Random access Address to data valid	–	65	–	65	–	90	ns
t_{ACC3}	Random access CS# to data valid	–	65	–	65	–	90	ns
t_{AVDA}	Random access ADV# High to data valid	–	35	–	35	–	50	ns
t_{AVD}	ADV# low pulse	15	–	15	–	20	–	ns
t_{AVDS}	Address setup to ADV# rising edge	15	–	15	–	20	–	ns
t_{AVDH}	Address hold from ADV# rising edge	3	–	3	–	5	–	ns
t_{CSS}	CS# setup to ADV# rising edge	7	–	7	–	10	–	ns
t_{OE}	OE# Low to data valid	–	35	–	35	–	50	ns
t_{LZOE} ^[25]	OE# Low to IO Low Z	3	–	3	–	5	–	ns
t_{HZOE}	OE# High to IO High Z	–	15	–	15	–	25	ns
t_{HZCS}	CS# High to IO High Z	–	15	–	15	–	25	ns
t_{DBE}	UB#/LB# Low to IO Valid	–	35	–	35	–	50	ns
t_{LZBE}	UB#/LB# Low to IO Low Z	3	–	3	–	5	–	ns
t_{HZBE}	UB#/LB# High to IO High Z	–	15	–	15	–	25	ns
t_{AVOE}	ADV# High to OE# Low	0	–	0	–	0	–	ns

Notes

- 23. All timing parameters are measured with Load 2 specified in Figure 2.
- 24. AD Mux port timing applies to left AD Mux port and right port configured to AD Mux port.
- 25. This parameter is guaranteed by not tested.

Switching Characteristics for $V_{CC} = 1.8 V$ (continued)

Over the Operating Range ^[23] (continued)

Parameter	Description	CYDMX256A16 CYDMX128A16		CYDMX256B16 CYDMX128B16 CYDMX064B16		CYDMX256A16 CYDMX128A16 CYDMX064A16		Unit
		-65		-65		-90		
		Min	Max	Min	Max	Min	Max	
AD Mux Port Write Cycle^[26]								
t_{WC}	Write cycle time	65	–	65	–	90	–	ns
t_{SCS}	CS# Low to write end	65	–	65	–	90	–	ns
t_{AVD}	ADV# Low pulse	15	–	15	–	20	–	ns
t_{AVDS}	Address setup to ADV# rising edge	15	–	15	–	20	–	ns
t_{AVDH}	Address hold from ADV# rising edge	3	–	3	–	5	–	ns
t_{CSS}	CS# setup to ADV# rising edge	7	–	7	–	10	–	ns
t_{WRL}	WE# pulse width	28	–	28	–	45	–	ns
t_{BW}	UB#/LB# Low to write end	28	–	28	–	45	–	ns
t_{SD}	Data setup to write end	20	–	20	–	30	–	ns
t_{HD}	Data hold from write end	0	–	0	–	0	–	ns
t_{LZWE}	WE# High to IO Low Z	0	–	0	–	0	–	ns
t_{AVWE}	ADV# High to WE# Low	0	–	0	–	0	–	ns
Standard Port Read Cycle^[27]								
t_{RC}	Read cycle time	40	–	60	–	60	–	ns
t_{AA}	Address to data valid	–	40	–	60	–	60	ns
t_{OHA}	Output hold from address change	5	–	5	–	5	–	ns
t_{ACS}	CS# to data valid	–	40	–	60	–	60	ns
t_{DOE}	OE# Low to data valid	–	25	–	35	–	35	ns
t_{LZOE} ^[28]	OE# Low to data Low Z	5	–	5	–	5	–	ns
t_{HZOE}	OE# High to data High Z	–	10	–	30	–	30	ns
t_{LZCS}	CS# Low to data Low Z	5	–	5	–	5	–	ns
t_{HZCS}	CS# High to data High Z	–	10	–	30	–	30	ns
t_{LZBE}	UB#/LB# Low to data Low Z	5	–	5	–	5	–	ns
t_{HZBE}	UB#/LB# High to data High Z	–	10	–	30	–	30	ns
t_{ABE}	UB#/LB# access time	–	40	–	60	–	60	ns
Standard SRAM Port Write Cycle								
t_{WC}	Write cycle time	40	–	60	–	60	–	ns
t_{SCS}	CS# Low to Write End	30	–	50	–	50	–	ns
t_{AW}	Address valid to write end	30	–	50	–	50	–	ns
t_{HA}	Address hold from write end	0	–	0	–	0	–	ns
t_{SA}	Address setup to write start	0	–	0	–	0	–	ns

Notes

- 26. AD Mux port timing applies to left AD Mux port and right port configured to AD Mux port.
- 27. Standard SRAM port timing applies to right port configured to standard SRAM port.
- 28. This parameter is guaranteed by not tested.

Switching Characteristics for $V_{CC} = 1.8\text{ V}$ (continued)

Over the Operating Range ^[23] (continued)

Parameter	Description	CYDMX256A16 CYDMX128A16		CYDMX256B16 CYDMX128B16 CYDMX064B16		CYDMX256A16 CYDMX128A16 CYDMX064A16		Unit
		-65		-65		-90		
		Min	Max	Min	Max	Min	Max	
t_{WRL}	Write pulse width	25	–	45	–	45	–	ns
t_{SD}	Data setup to write end	20	–	30	–	30	–	ns
t_{HD}	Data hold from write end	0	–	0	–	0	–	ns
t_{HZWE}	WE# Low to data High Z	–	15	–	25	–	25	ns
t_{LZWE}	WE# High to data Low Z	0	–	0	–	0	–	ns
Arbitration Timing								
t_{BLA}	BUSY# Low from address match	–	30	–	50	–	50	ns
t_{BHA}	BUSY# High from address mismatch	–	30	–	50	–	50	ns
t_{BLC}	BUSY# Low from CS# Low	–	30	–	50	–	50	ns
t_{BHC}	BUSY# High from CS# High	–	30	–	50	–	50	ns
$t_{PS}^{[29]}$	Port setup from priority	5	–	5	–	5	–	ns
t_{BDD}	BUSY# High to data valid	–	30	–	50	–	50	ns
t_{WDD}	Write pulse to data delay	–	55	–	85	–	85	ns
t_{DDD}	Write data valid to read data valid	–	45	–	70	–	70	ns
Interrupt Timing								
t_{INS}	INT# set time	–	35	–	55	–	55	ns
t_{INR}	INT# reset time	–	35	–	55	–	55	ns

Note

29. Add 2 ns to this parameter if VCC and VDDIOR are < 1.8 V, and VDDIOL is > 2.5 V at temperature < 0 °C.

Switching Waveforms

Figure 3. ADM Port Read Cycle (Either Port Access, WE# High)

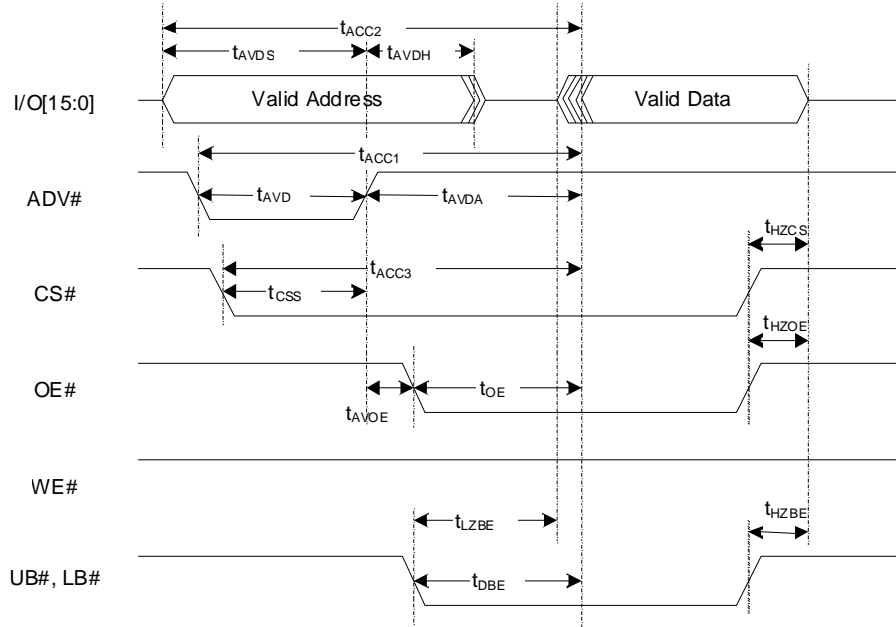


Figure 4. ADM Port Write Cycle (Either Port Access, WE# Controlled, OE# High)

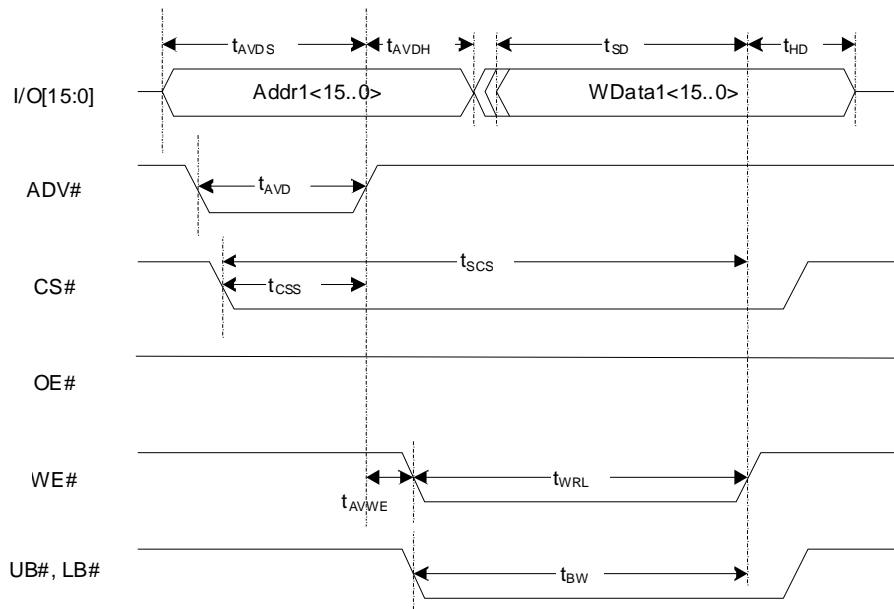


Figure 5. ADM Port Write Cycle (Either Port Access, CS# Controlled, OE# High)

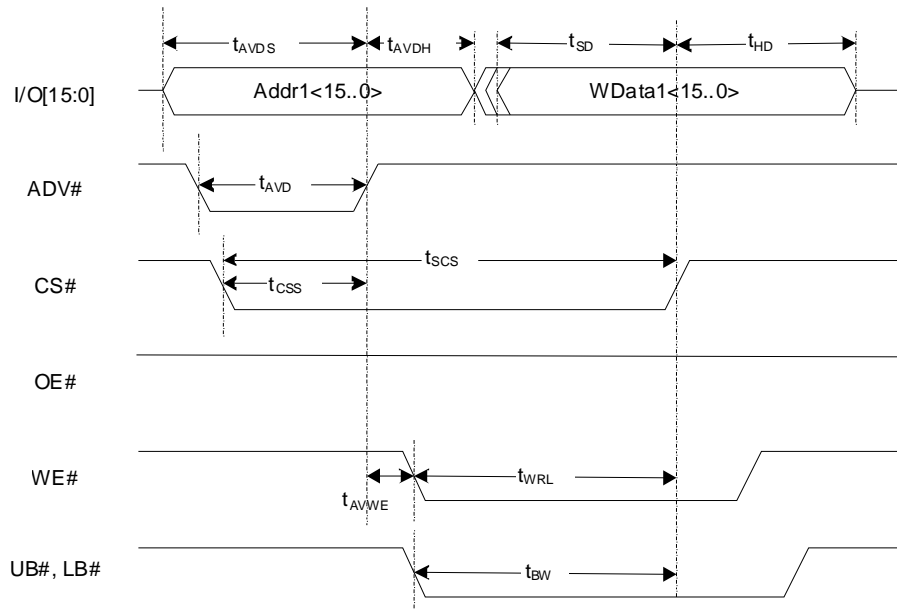


Figure 6. Standard Port Read Cycle (Right Port Access, WE# High)

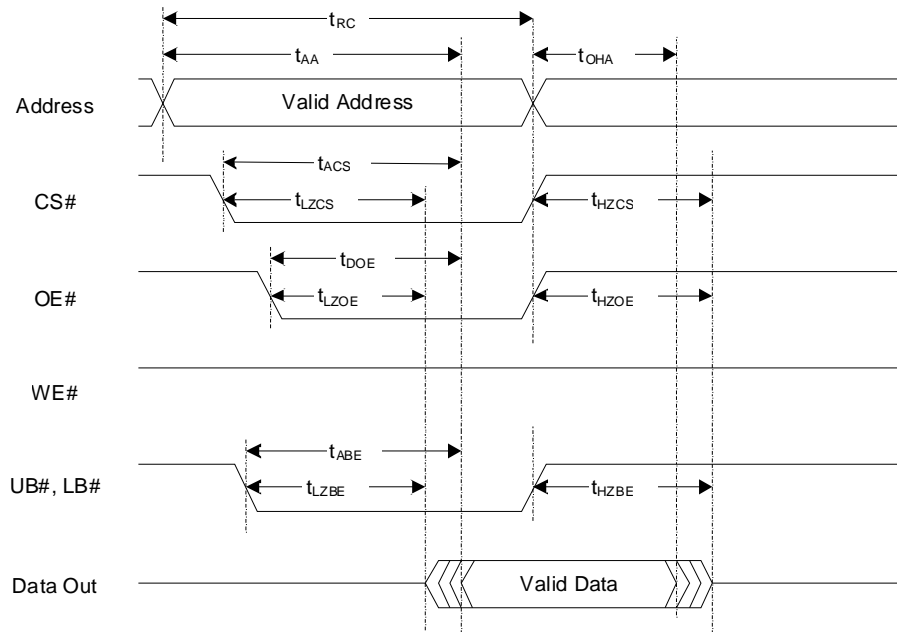


Figure 7. Standard Port Write Cycle (Right Port Access, WE# Controlled)

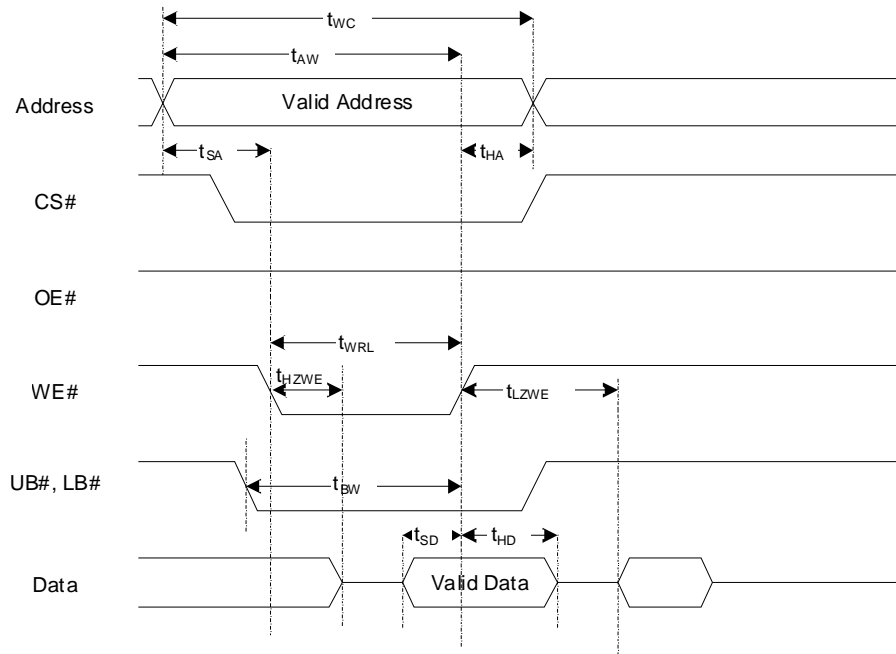


Figure 8. Standard Port Write Cycle (Right Port Access, CS# Controlled)

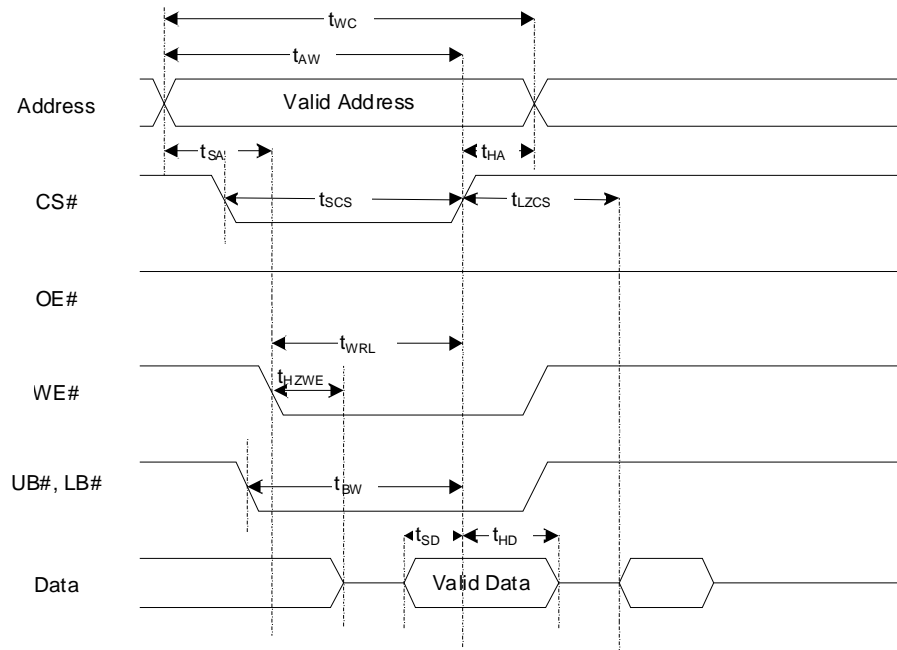


Figure 9. Arbitration Timing

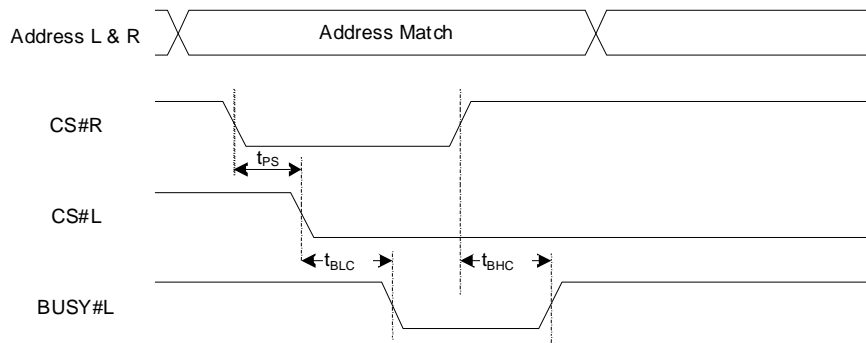
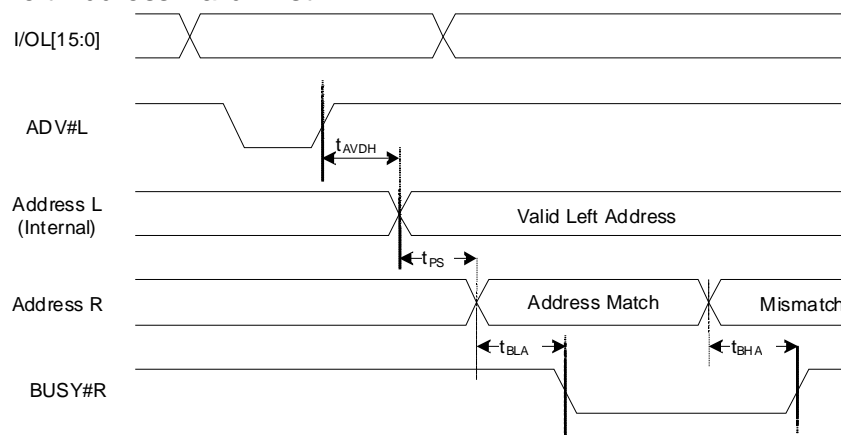


Figure 10. Arbitration Timing (Address Controlled with Left ADM and Right Standard Configuration)

Left Address Valid First



Right Address Valid First

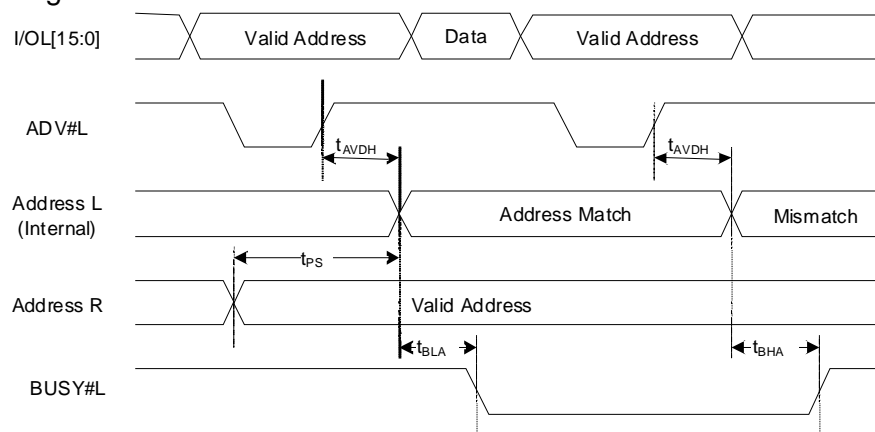


Figure 11. Arbitration Timing (Address Controlled with Left ADM and Right ADM Configuration)

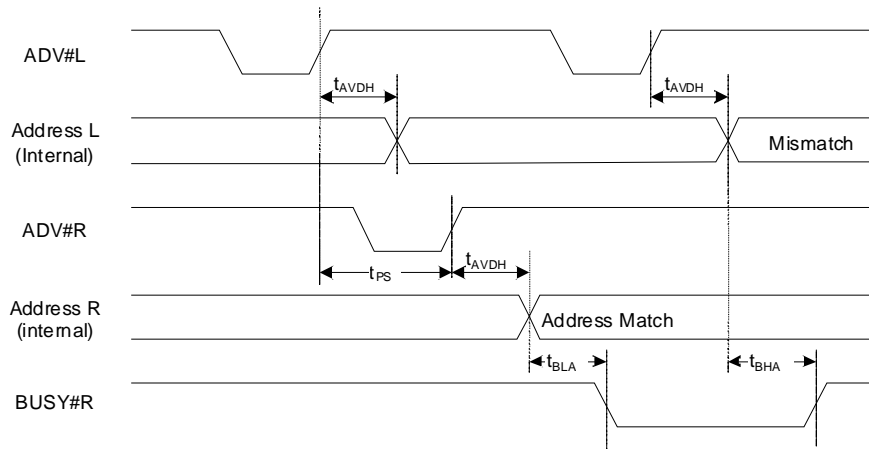


Figure 12. Read with BUSY# Timing

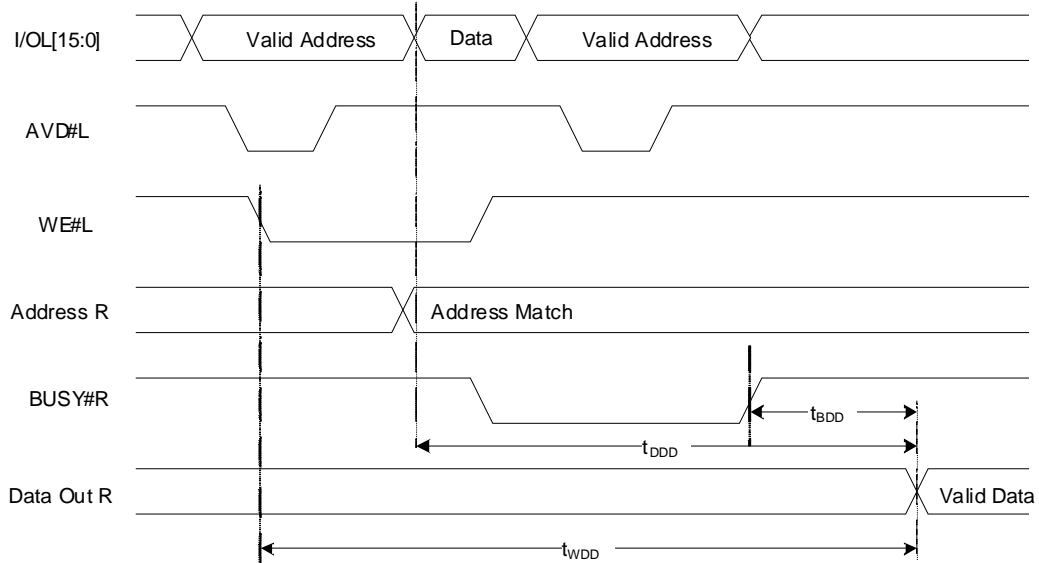
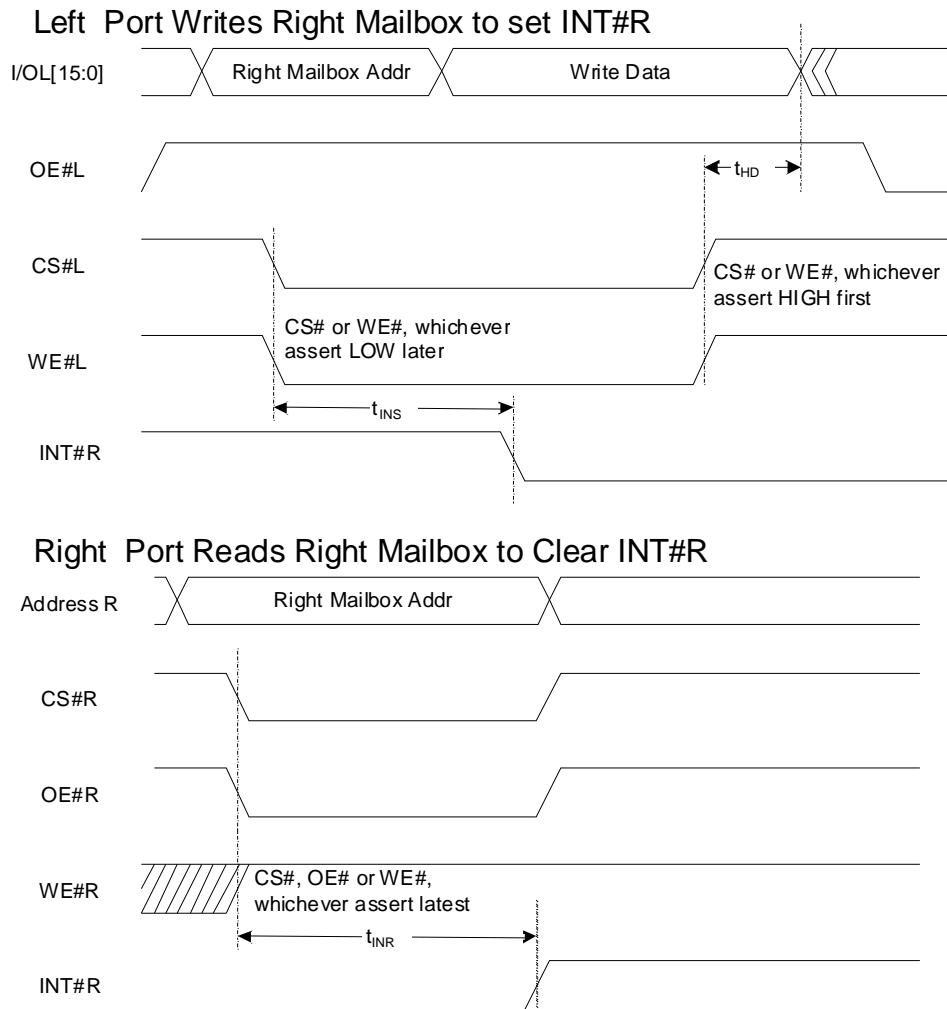


Figure 13. Interrupt Timing





Ordering Information

16 K × 16 MoBL ADM Asynchronous Dual-Port SRAM

Speed (ns)	Ordering Code	Package Name	Package Type	Operating Range
65	CYDMX256A16-65BVXI	BZ100	100-ball Pb-free 0.5 mm pitch BGA	Industrial
65	CYDMX256B16-65BVXI	BZ100	100-ball Pb-free 0.5 mm pitch BGA	Industrial
90	CYDMX256A16-90BVXI	BZ100	100-ball Pb-free 0.5 mm pitch BGA	Industrial

8 K × 16 MoBL ADM Asynchronous Dual-Port SRAM

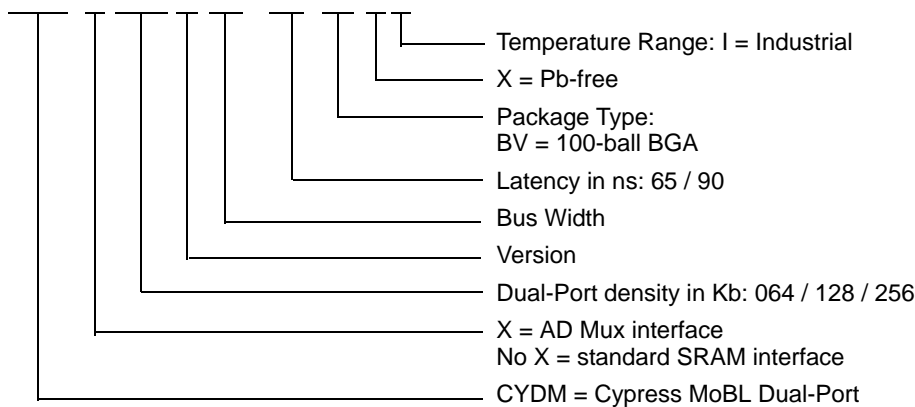
Speed (ns)	Ordering Code	Package Name	Package Type	Operating Range
65	CYDMX128A16-65BVXI	BZ100	100-ball BGA Pb-free	Industrial
65	CYDMX128B16-65BVXI	BZ100	100-ball BGA Pb-free	Industrial

4 K × 16 MoBL ADM Asynchronous Dual-Port SRAM

Speed (ns)	Ordering Code	Package Name	Package Type	Operating Range
90	CYDMX064A16-90BVXI	BZ100	100-ball BGA Pb-free	Industrial

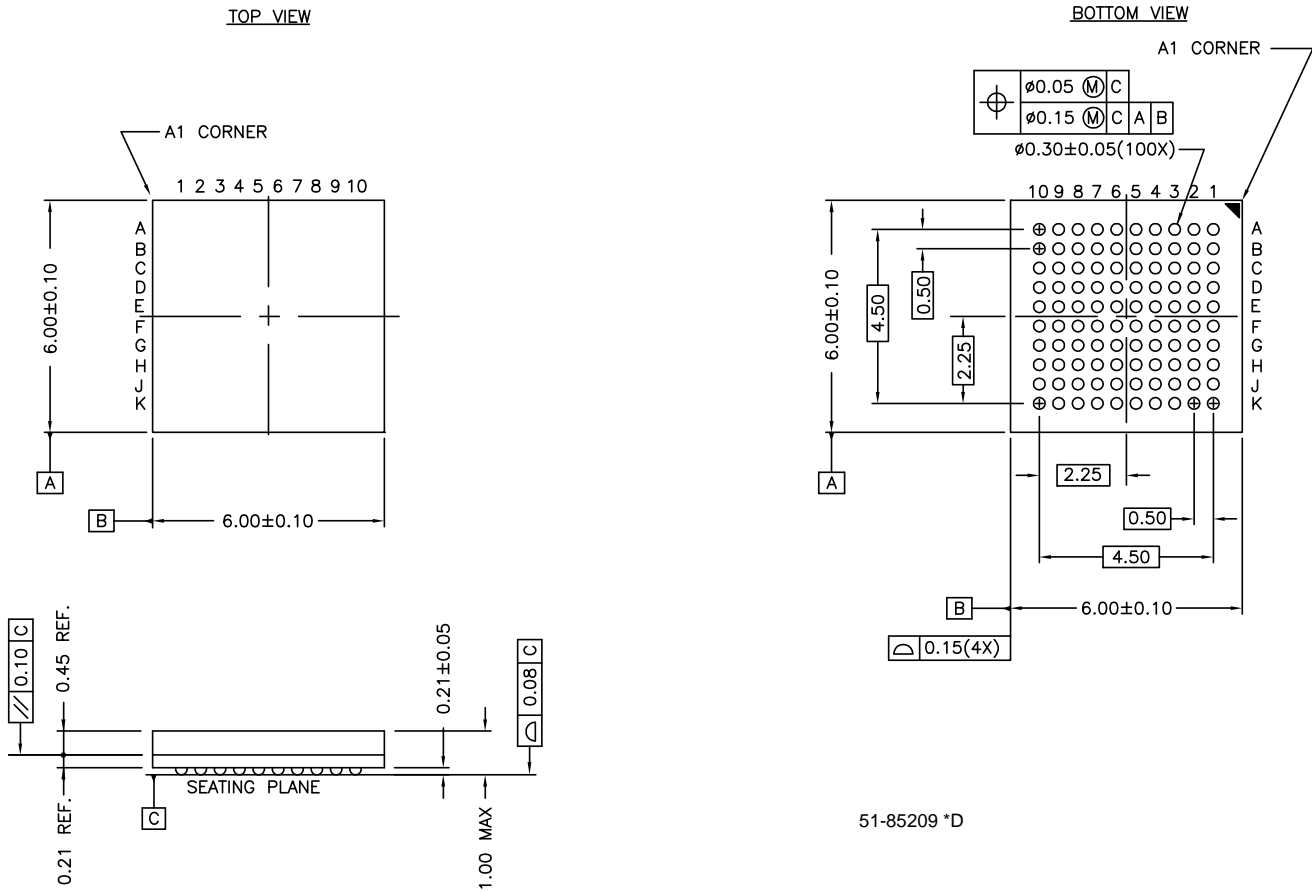
Ordering Code Definitions

CYDM X XXX X XX - XX BV X I



Package Diagram

Figure 14. 100-ball VFBGA (6 × 6 × 1.0 mm) BZ100 Package Outline, 51-85209



Acronyms

Acronym	Description
BGA	Ball Grid Array
CMOS	Complementary Metal Oxide Semiconductor
CS	Chip Select
I/O	Input/Output
LVC MOS	Low Voltage Complementary Metal Oxide Semiconductor
LVTTL	Low Voltage Transistor-Transistor Logic
ODR	Output Drive Register
OE	Output Enable
SRAM	Static Random Access Memory
TTL	Transistor-Transistor Logic
VFBGA	Very Fine-Pitch Ball Grid Array
WE	Write Enable

Document Conventions

Units of Measure

Symbol	Unit of Measure
°C	degree Celsius
MHz	megahertz
μA	microampere
mA	milliampere
mm	millimeter
ms	millisecond
mV	millivolt
ns	nanosecond
Ω	ohm
%	percent
pF	picofarad
V	volt
W	watt

Document History Page

Document Title: CYDMX256A16/CYDMX256B16/CYDMX128A16/CYDMX128B16/CYDMX064A16/CYDMX064B16, 16 K/8 K/4 K x 16 MoBL [®] ADM Asynchronous Dual-Port Static RAM Document Number: 001-08090				
Rev.	ECN No.	Orig. of Change	Submission Date	Description of Change
**	462234	HKH		New data sheet
*A	491702	HKH		Updated Switching Characteristics for VCC = 1.8 V : Removed none applicable timing tBW Revised standard port timing numbers Corrected typo
*B	500425	HKH		Updated Electrical Characteristics for VCC = 1.8 V : Updated DC data that are previously TBD. Updated Electrical Characteristics for VCC = 2.5 V : Updated DC data that are previously TBD. Updated Switching Characteristics for VCC = 1.8 V : Added note for tLZOE that is guaranteed by design by not tested Updated tWC, tSCS to reflect bin spec Added note for special condition of tPS
*C	2147866	YDT / HKH / AESA	See ECN	Relaxed -65 Standard port timing to match the standard port timing of -90. Added new devices CYDMX256B16, CYDMX128B16 and CYDMX064B16.
*D	3031102	VED	09/15/2010	Changed to post on the external web. No other change.
*E	3053582	HKH	10/08/2010	Added Table of Contents. Updated Ordering Information : Removed pruned device CYDMX064A16-65BVXI. Added Ordering Code Definitions . Updated sales links.
*F	3209987	HKH	03/30/2011	Updated Ordering Information . Updated Package Diagram . Updated in new template.
*G	3246085	HKH	05/02/2011	Added Acronyms and Units of Measure .
*H	3401875	HKH	10/11/2011	Updated Ordering Information : Removed pruned device CYDMX064B16-65BVXI.
*I	4418141	HBM	06/24/2014	Updated in new template. Completing Sunset Review.



Sales, Solutions, and Legal Information

Worldwide Sales and Design Support

Cypress maintains a worldwide network of offices, solution centers, manufacturer's representatives, and distributors. To find the office closest to you, visit us at [Cypress Locations](#).

Products

Automotive	cypress.com/go/automotive
Clocks & Buffers	cypress.com/go/clocks
Interface	cypress.com/go/interface
Lighting & Power Control	cypress.com/go/powerpsoc cypress.com/go/plc
Memory	cypress.com/go/memory
PSoC	cypress.com/go/psoc
Touch Sensing	cypress.com/go/touch
USB Controllers	cypress.com/go/USB
Wireless/RF	cypress.com/go/wireless

PSoC[®] Solutions

[psoc.cypress.com/solutions](#)
[PSoC 1](#) | [PSoC 3](#) | [PSoC 4](#) | [PSoC 5LP](#)

Cypress Developer Community

[Community](#) | [Forums](#) | [Blogs](#) | [Video](#) | [Training](#)

Technical Support

[cypress.com/go/support](#)

© Cypress Semiconductor Corporation, 2006-2014. The information contained herein is subject to change without notice. Cypress Semiconductor Corporation assumes no responsibility for the use of any circuitry other than circuitry embodied in a Cypress product. Nor does it convey or imply any license under patent or other rights. Cypress products are not warranted nor intended to be used for medical, life support, life saving, critical control or safety applications, unless pursuant to an express written agreement with Cypress. Furthermore, Cypress does not authorize its products for use as critical components in life-support systems where a malfunction or failure may reasonably be expected to result in significant injury to the user. The inclusion of Cypress products in life-support systems application implies that the manufacturer assumes all risk of such use and in doing so indemnifies Cypress against all charges.

Any Source Code (software and/or firmware) is owned by Cypress Semiconductor Corporation (Cypress) and is protected by and subject to worldwide patent protection (United States and foreign), United States copyright laws and international treaty provisions. Cypress hereby grants to licensee a personal, non-exclusive, non-transferable license to copy, use, modify, create derivative works of, and compile the Cypress Source Code and derivative works for the sole purpose of creating custom software and or firmware in support of licensee product to be used only in conjunction with a Cypress integrated circuit as specified in the applicable agreement. Any reproduction, modification, translation, compilation, or representation of this Source Code except as specified above is prohibited without the express written permission of Cypress.

Disclaimer: CYPRESS MAKES NO WARRANTY OF ANY KIND, EXPRESS OR IMPLIED, WITH REGARD TO THIS MATERIAL, INCLUDING, BUT NOT LIMITED TO, THE IMPLIED WARRANTIES OF MERCHANTABILITY AND FITNESS FOR A PARTICULAR PURPOSE. Cypress reserves the right to make changes without further notice to the materials described herein. Cypress does not assume any liability arising out of the application or use of any product or circuit described herein. Cypress does not authorize its products for use as critical components in life-support systems where a malfunction or failure may reasonably be expected to result in significant injury to the user. The inclusion of Cypress' product in a life-support systems application implies that the manufacturer assumes all risk of such use and in doing so indemnifies Cypress against all charges.

Use may be limited by and subject to the applicable Cypress software license agreement.

Mouser Electronics

Authorized Distributor

Click to View Pricing, Inventory, Delivery & Lifecycle Information:

Cypress Semiconductor:

[CYDMX064A16-90BVXI](#) [CYDMX128A16-65BVXI](#) [CYDMX256A16-65BVXI](#) [CYDMX256A16-90BVXI](#) [CYDMX128A16-65BVXIT](#) [CYDMX064B16-65BVXI](#)