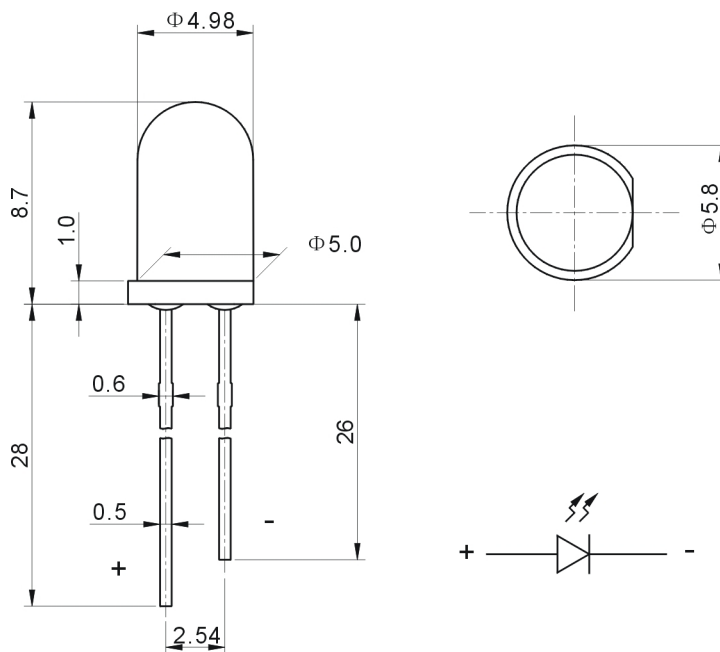


Part No.: HT333IR940

UNIT: mm



NOTE: TOLERANCE ± 0.5 mm

Parameter	Symbol	Min.	Typ.	Max.	UNIT	Test Condition
Forward Voltage	V_F	1.5	1.6		V	$I_F=50\text{mA}$
Radiant Intensity	E_e	60	80		mW/sr	$I_F=50\text{mA}$
Peak Wavelength	λ_p		940		nm	$I_F=50\text{mA}$
Reverse Current	I_R			10	μA	$V_R=5\text{V}$
Peak Forward Current	I_f (Peak)			200	mA	
Viewing Angle	θ		30		deg	$I_F=50\text{mA}$
Power dissipation	P_d		100		mW	

■ **ABSOLUTE MAXIMUM RATINGS:** ($T_a = 25^\circ\text{C}$)

■ **OPERATING TEMPERATURE:** -40°C TO $+80^\circ\text{C}$

■ **LEAD SOLDERING:** 260°C FOR 5 SECONDS