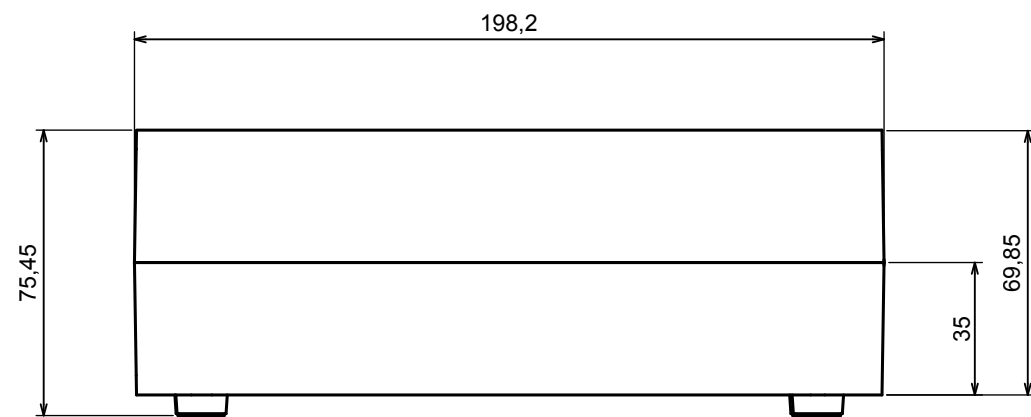
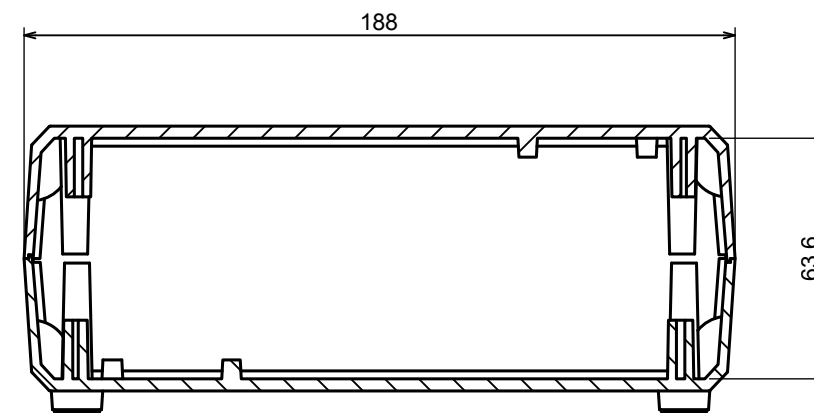


A |



A |

A-A



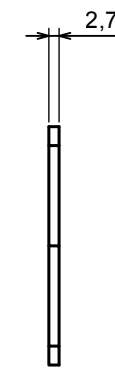
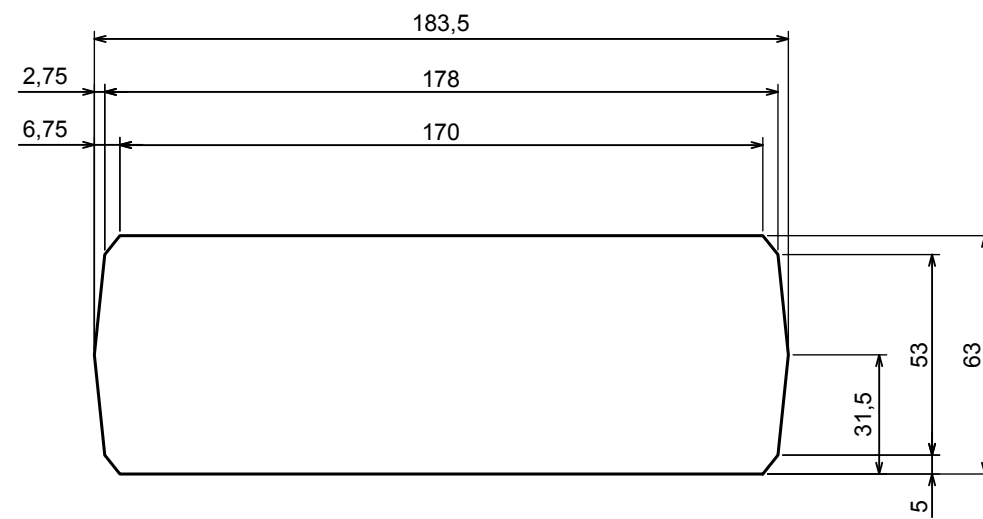
All rights reserved, Copyright Kradox 2017


Product model Enclosure Z1W - Assembly

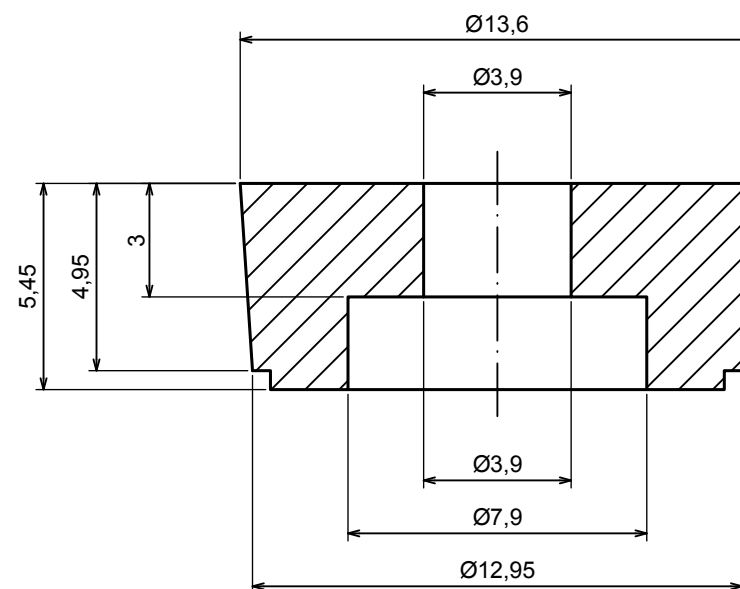
Format: A3 Material: PS, ABS


Scale 1:1 Tolerance: +/- 0.8





All rights reserved, Copyright Kradox 2017		
Product model	Enclosure Z1W - Board	
Format: A3	Material: PS, ABS	
Scale 1:1	Tolerance: +/- 0.8	



All rights reserved, Copyright Kradex 2017		
Product model	Enclosure Z1W - Foot	
Format: A3	Material: PS, ABS	
Scale 5:1	Tolerance: +/- 0.8	