

# 50

# DC Fan Series

## x50x15mm

UL us CE RoHS

Optional Features



### GENERAL SPECIFICATIONS

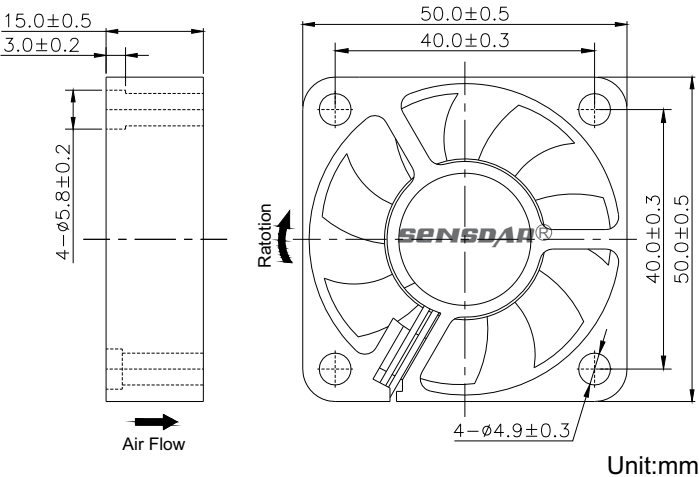
Bearing Type: Sleeve Bearing & Ball Bearing  
 Material: Impeller & Frame: Plastic (UL94V-0)  
 Lead Wire: UL Type  
 Operation Temperature: -10°C-70°C, 35%-85%RH  
 Storage Temperature: -40°C-80°C, 35%-85%RH



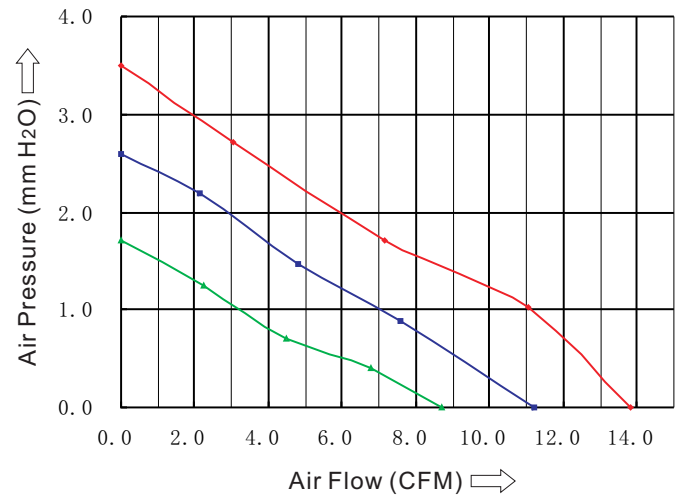
### SPECIFICATIONS

Model	Bearing System		Rated Voltage	Operation Voltage	Rated Current	Rated Speed	Air Flow	Air Pressure	Noise Level	Weight
	Ball	Sleeve	VDC	VDC	A	RPM	CFM	mmH <sub>2</sub> O	dBA	g
SD5015H5X	●	●	5.0	4.5-5.5	0.33	5500	15.5	5.8	31	28
SD5015M5X	●	●			0.25	5000	13.0	4.6	30	
SD5015L5X	●	●			0.20	4500	11.5	3.5	29	
SD5015H1X	●	●	12.0	6.0-13.8	0.25	5500	15.5	5.8	31	
SD5015M1X	●	●			0.15	5000	13.0	4.6	30	
SD5015L1X	●	●			0.12	4500	11.5	3.5	29	
SD5015H2X	●	●	24.0	0.0	0.18	8000	22.5	9.6	41	
SD5015H2X	●	●			0.15	5500	15.5	5.8	31	
SD5015M2X	●	●			0.10	5000	13.0	4.6	30	
SD5015L2X	●	●			0.08	4500	11.5	3.5	29	

### DIMENSIONS DRAWING



### P&Q CURVE (AT RATED VOLTAGE)



Note:

- \*All readings are typical values at rated voltage.
- \*Specifications are subject to change without prior notice.
- \*"X" in model list can be B, S, and C, meaning Dual Ball Bearing, Sleeve Bearing and 1 Ball 1 Sleeve Bearing