

92

EC Fan Series x92x25mm

UL us CE RoHS

Optional Features



NEW AC FANS

ENERGY SAVING
ECDYNAMIC™



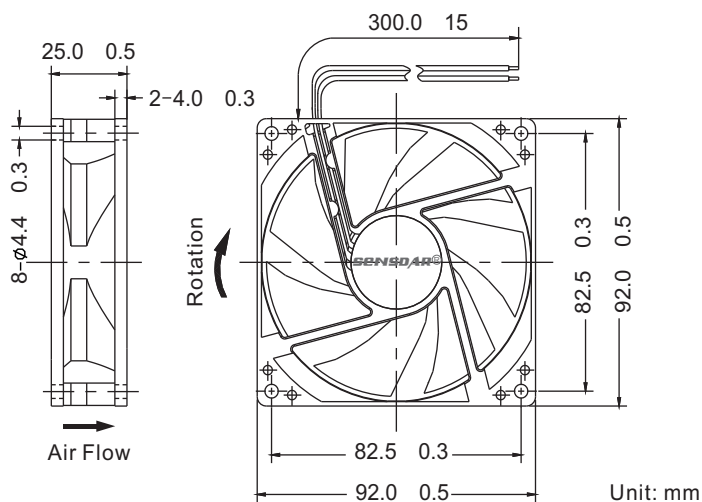
GENERAL SPECIFICATIONS

Bearing Type: Sleeve Bearing & Ball Bearing
 Material: Impeller & Frame: Plastic (UL94V-0)
 Lead Wire: UL Type
 Operation Temperature: -10°C-70°C, 35%-85%RH
 Storage Temperature: -40°C-80°C, 35%-85%RH

SPECIFICATIONS

Model	Bearing System		Rated Voltage	Freq.	Operation Voltage	Rated Current	Power	Rated Speed	Air Flow	Air Pressure	Noise Level	Weight
	Ball	Sleeve	VAC	Hz	VAC	A	W	RPM	CFM	mmH ₂ O	dBA	g
SE9225HX	●		115/230	50/60	98-264	0.06	6.0	2800	55.2	3.0	33	85
SE9225MX	●	●				0.05	5.0	2500	49.3	2.4	30	
SE9225LX	●	●				0.03	3.0	2000	39.4	1.5	25	

DIMENSIONS DRAWING



Note:

- *All readings are typical values at rated voltage.
- *Specifications are subject to change without prior notice.
- *"X" in model list can be B, S, and C, meaning Dual Ball Bearing, Sleeve Bearing and 1 Ball 1 Sleeve Bearing

P&Q CURVE (AT RATED VOLTAGE)

