

80

AC Fan Series

x80x38mm

CE RoHS

GENERAL SPECIFICATIONS

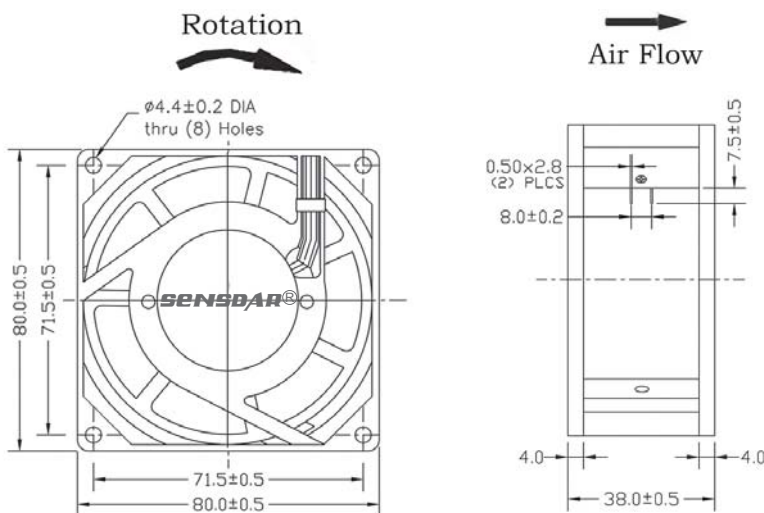
Bearing Type: Sleeve Bearing & Ball Bearing
 Material: Impeller: Plastic ; Frame: Aluminum Alloy
 Lead Wire: UL Type
 Operation Temperature: -10°C-65°C, 35%-85%RH
 Storage Temperature: -40°C-70°C, 35%-85%RH



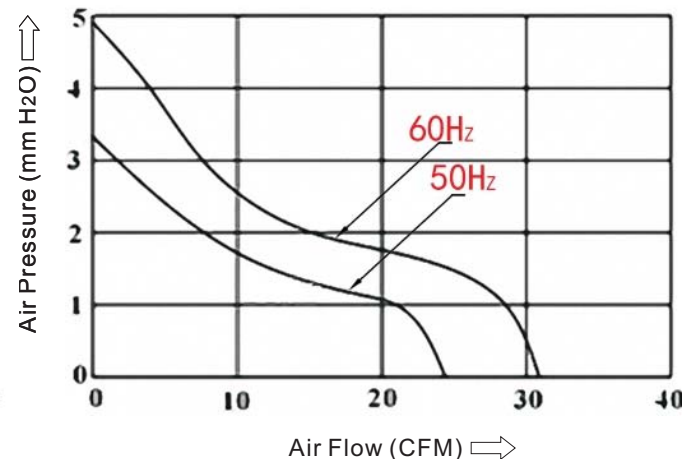
SPECIFICATIONS

Model	Bearing System		Rated Voltage	Freq.	Rated Current	Rated Input Power	Rated Speed	Air Flow	Air Pressure	Noise Level	Weight
	Ball	Sleeve	VAC	Hz	A	Watt	RPM	CFM	mmH ₂ O	dBA	g
SA8038M1S		●	110-125	50/60	0.14/0.12	11/8	2300/2700	22/26	3.0/4.50	30/35	270
SA8038M1B	●		110-125	50/60	0.14/0.12	11/8	2400/2800	25/28	3.3/4.83	32/36	
SA8038M2S		●	200-240	50/60	0.07/0.06	11/8	2300/2700	22/26	3.0/4.50	30/35	
SA8038M2B	●		200-240	50/60	0.07/0.06	11/8	2400/2800	25/28	3.3/4.83	32/36	

DIMENSIONS DRAWING



P&Q CURVE (AT RATED VOLTAGE)



Note:

*All readings are typical values at rated voltage.
 *Specifications are subject to change without prior notice.