

80

DC Fan Series x80x25mm

UL us CE RoHS

Optional Features



GENERAL SPECIFICATIONS

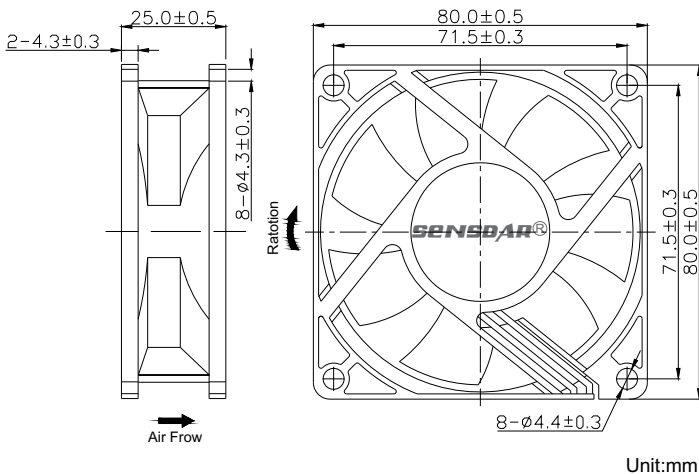
Bearing Type: Sleeve Bearing & Ball Bearing
 Material: Impeller & Frame: Plastic (UL94V-0)
 Lead Wire: UL Type
 Operation Temperature: -10°C~70°C, 35%~85%RH
 Storage Temperature: -40°C~80°C, 35%~85%RH



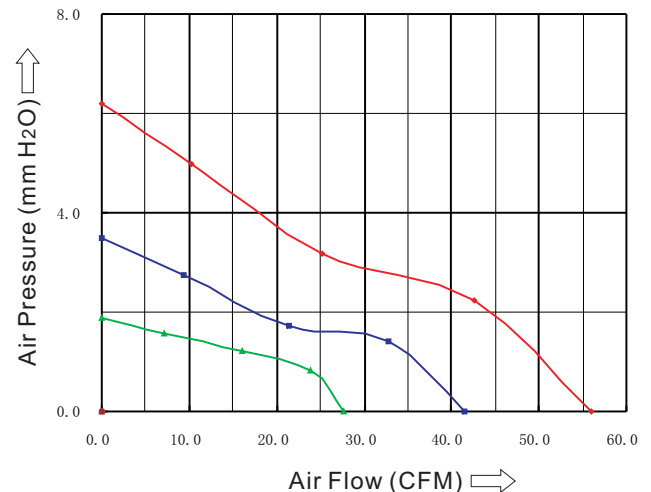
SPECIFICATIONS

Model	Bearing System		Rated Voltage	Operation Voltage	Rated Current	Rated Speed	Air Flow	Air Pressure	Noise Level	Weight
	Ball	Sleeve	VDC	VDC	A	RPM	CFM	mmH ₂ O	dBA	g
SD8025H5X	●	●	5.0	6.0~13.8	0.40	3000	41.5	3.5	33	78
SD8025M5X	●	●			0.28	2500	33.4	2.2	28	
SD8025L5X	●	●			0.22	2000	27.7	1.9	23	
SD8025H1X	●	●	12.0	6.0~13.8	0.40	4000	56.0	6.2	42	
SD8025M1X	●	●			0.25	3000	41.5	3.5	33	
SD8025L1X	●	●			0.13	2000	27.7	1.9	23	
SD8025H2X	●	●	24.0	12.0~27.6	0.25	4000	56.0	6.2	42	
SD8025M2X	●	●			0.15	3000	41.5	3.5	33	
SD8025L2X	●	●			0.10	2000	27.7	1.9	23	
SD8025H4X	●	●	48.0	24.0~55.2	0.18	4000	56.0	6.2	42	
SD8025M4X	●	●			0.10	3000	41.5	3.5	33	
SD8025L4X	●	●			0.08	2000	27.7	1.9	23	

DIMENSIONS DRAWING



P&Q CURVE (AT RATED VOLTAGE)



Note:

*All readings are typical values at rated voltage.

*Specifications are subject to change without prior notice.

*"X" in model list can be B, S, and C, meaning Dual Ball Bearing, Sleeve Bearing and 1 Ball 1 Sleeve Bearing