

Communications Relays Series 通讯继电器系列--QY4078

FEATURES 特点

- 2A Amps super miniature relay
2A安培超小型继电器
- Small volume and light weight, apply to dense installation
体积小及重量轻，适用于密集安装
- 2 Form C Configurations
具有两组转换触点形式
- Outline dimensions (20.0X10.0X11.6) mm
外形尺寸 (20.0X10.0X11.6) mm



CONTACT PARAMETERS 触点参数

Contact Form 触点形式	2Z
Rating Load (Resistive) 额定负载 (阻性)	1A 125VAC/30VDC
Max. Switching Current 最大切换电流	2A
Max. Switching Voltage 最大切换电压	125VAC/30VDC
Max. Switching Power 最大切换功率	125VA/30W

CHARACTERISTICS 性能参数

Contact Materials 触点材料	Ag Alloy 银合金	
Contact Resistance 接触电阻	100mΩ Max.	
Operate Time 吸合时间	6msec. Max.	
Release Time 释放时间	4msec. Max.	
Insulation Resistance 绝缘电阻	1000MΩ Min. (DC500V)	
Initial Dielectric Strength 介质耐压	Between open contacts: 触点与触点间:	AC750V, 50/60Hz 1Min.
	Between contacts and coil: 触点与线圈间:	AC1000V, 50/60Hz 1Min.
Vibration Resistance 抗振动	Damage limits: 耐久:	10~55Hz Double Amplitude 双振幅 1.5mm
	Malfunction: 误动作:	10~55Hz Double Amplitude 双振幅 1.5mm
Shock Resistance 抗冲击	Damage limits: 耐久:	20G Min.
	Malfunction: 误动作:	10G Min.
Life 寿命	Mechanical Life (10800 per hour) 机械寿命 (每小时10800次)	1×10 ⁷
	Electrical Life (1800 per hour) 电气寿命 (每小时1800次)	1×10 ⁵
Ambient Temperature 环境温度	-40℃ ~ +105℃ (No condensation) (不冷凝)	
Unit Weight 单位重量	约 Approx. 4.6g	

COIL RATINGS (at20°C) 线圈参数 (在20°C)

Coil Nominal Voltage 额定电压 (VDC)	Nominal Current 额定电流 ±10%(mA)	Coil Resistance 线圈电阻 ±10% (Ω)	Max. Continuous Voltage 最大连续外加电压	Pick-Up Voltage 吸合电压 (Max)	Drop-Out Voltage 释放电压 (Min)	Rated power 额定功率
3	50	60	Coil Nominal Voltage 130% 额定电压的 130%	Coil Nominal Voltage 75% 额定电压的 75%	Coil Nominal Voltage 5% 额定电压的 5%	About 0.15W 约0.15W
5	30	167				
6	25	240				
9	16.6	540				
12	12.5	960				
24	6.25	3,840				

Coil Nominal Voltage 额定电压 (VDC)	Nominal Current 额定电流 ±10(mA)	Coil Resistance 线圈电阻 ±10% (Ω)	Max. Continuous Voltage 最大连续外加电压	Pick-Up Voltage 吸合电压 (Max)	Drop-Out Voltage 释放电压 (Min)	Rated power 额定功率
3	66.67	45	Coil Nominal Voltage 130% 额定电压的 130%	Coil Nominal Voltage 75% 额定电压的 75%	Coil Nominal Voltage 5% 额定电压的 5%	About 0.20W 约0.20W
5	40.00	125				
6	33.33	180				
9	22.22	405				
12	16.67	720				
24	8.33	2,880				
3	120.00	25				About 0.36 W 约0.36W
5	72.00	69				
6	60.00	100				
9	40.00	225				
12	30.00	400				
24	15.00	1,600				

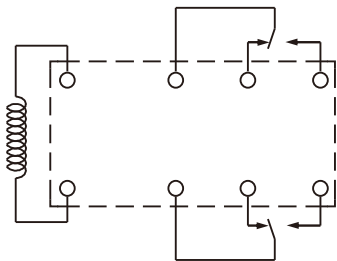
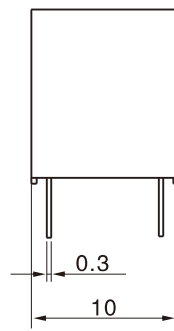
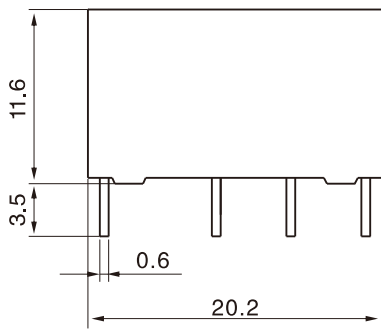
SAFETY STANDARD安规认证

Approval认证类别	CQC	UL/C_UL
Authentication Load 认证负载	1A 125VAC	1A 120VAC 1A 30VDC

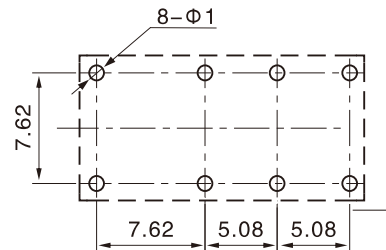
ORDERING INFORMATION 订货标记

QY4078-012-2Z-S-L-XXX	
1 2 3 4 5 6	
1. Model Number 基本型号: QY4078	4. Enclosure: S-General Type, K-Sealed Type 封装形式: S-标准型, K-密封型
2. Coil Voltage 线圈规格 (VDC): 03,05,06,09,12,24,48	5. Coil power: Nil-0.20W, L-0.15W, H-0.36W 线圈功率: 无-0.20W, L-0.15W, H-0.36W
3. Contact Form: 2Z-2 Form C 触电形式: 2Z-2组转换	6. Features: XXX- Special Requirements, Nil - Standard Type 特性号: XXX-特殊要求, 无-标准型

OUTLINE DIMENSIONS (UNIT:mm) 外形尺寸 (单位: mm)



Wiring diagram (bottom view)
接线图 (底视图)



Mounting hole size (bottom view)
安装孔尺寸 (底视图)

Undimensioned tolerance: <1mm: ±0.2mm 1~5mm: ±0.3mm >5mm: ±0.4mm
未标注尺寸公差: <1mm: ±0.2mm 1~5mm: ±0.3mm >5mm: ±0.4mm

Note: 1. The size of the lead foot is pre welding dimension. 注: 1、引出脚尺寸为预焊前尺寸
2. installation hole size tolerance: +0.1mm 2、安装孔尺寸公差: ±0.1mm

TYPICAL USE 典型用途

- Communication equipment, Office equipment, Computer peripherals, Security alarm system, Medical equipment, Etc..
- 通讯设备, 办公设备, 电脑周边设备, 安全报警系统, 医疗设备等。

PERFORMANCE CHART性能曲线图

