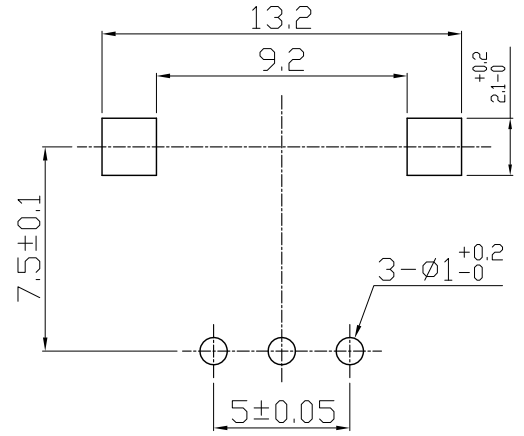
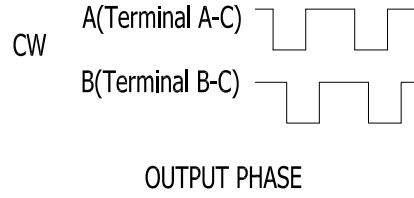
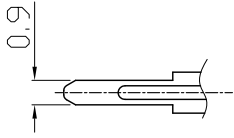
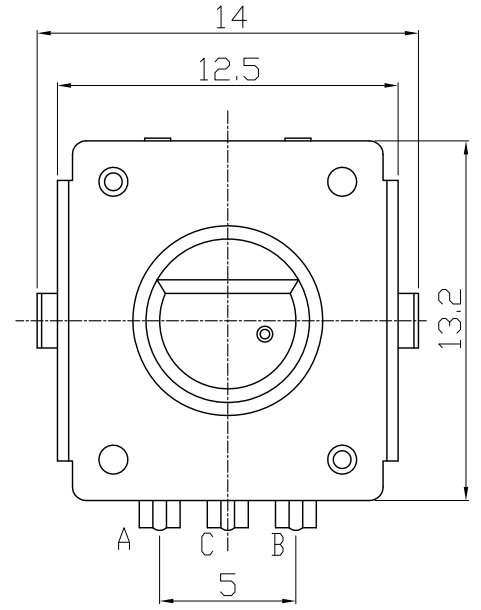
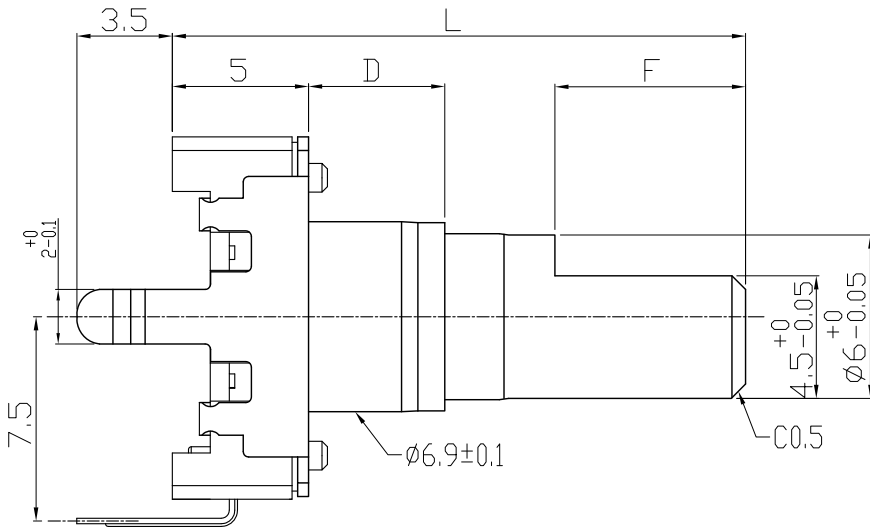


MODEL RE1200X **W** 1-H01

BASIC DIMENSIONS	L ≤ 10	10 < L	100 ≤ L	ANGLE	UNIT
TOL.	±0.3	±0.5	±0.8	±5°	mm



W	E	G
D	5	1.5

L	15	15	17.5	17.5	20	25	30
F	5	7.5	5	7	7	12	12