

双刀过载保护开关

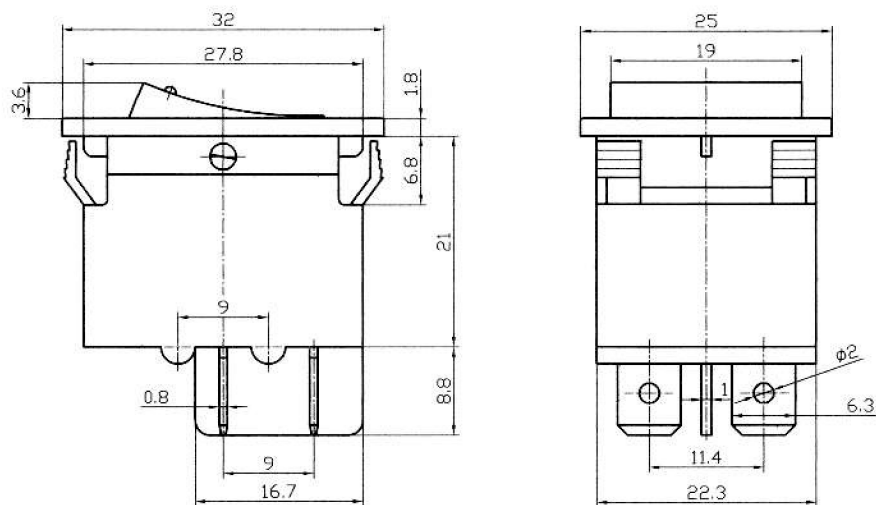
Double-poles Rocker Switch Breaker

型号(TYPE): IRS-2-R15

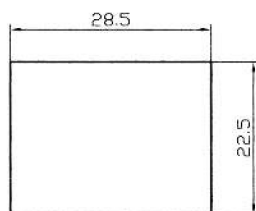
技术特性 (Specification)

1. 规格 (Rating): 15A 125VAC/250VAC
2. 接触电阻 (Contact R): $35\text{m}\Omega$ max
3. 绝缘电阻 (Insulation R): 500V DC $100\text{M}\Omega$ min
4. 耐电压 (Dielectric Strength): 1 Minute 1500V AC
5. 操作温度 (Operating Temperature): $-25^{\circ}\text{C} \sim +85^{\circ}\text{C}$
6. 电气寿命 (Electrical Life): 10, 000 Cycles
7. 过载规格 (Circuit Breaker Rating): 30A, Trip Times 3 ~30 Sec

外型图 (Outline Drawing)



安装尺寸 (Mounting)



电路图 (Circuitry)

