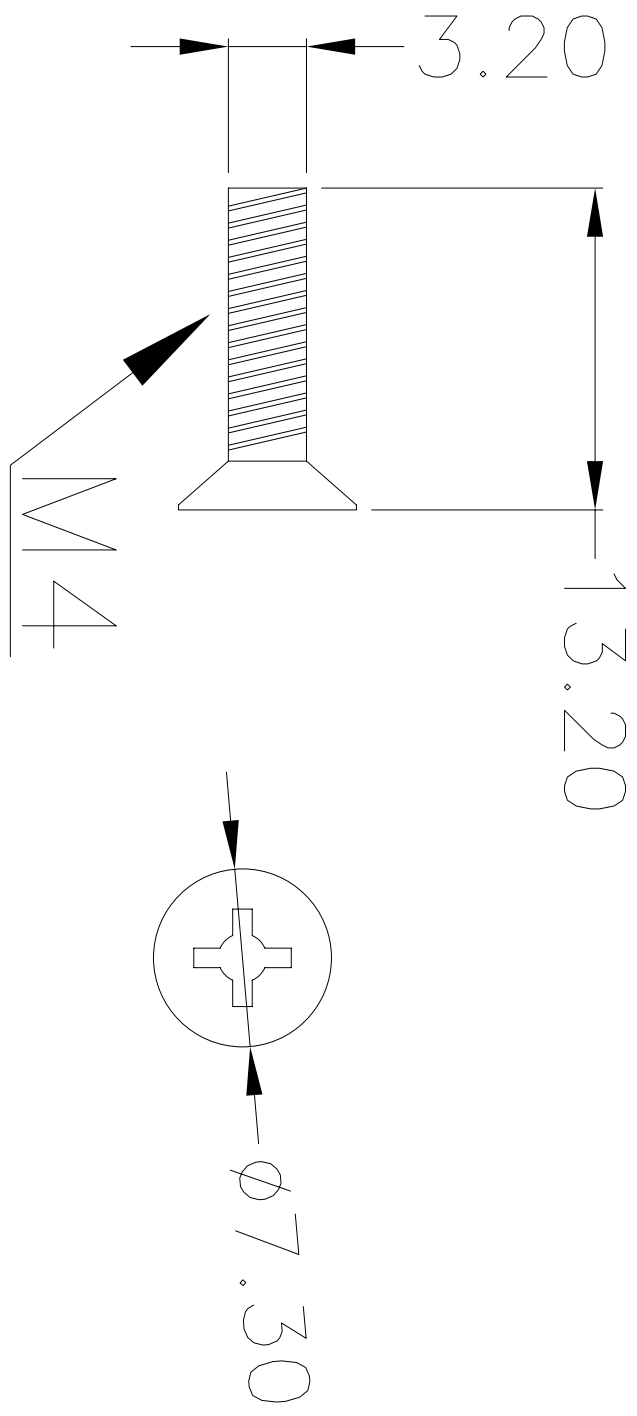


NOTE
Purchased assembly includes box, lid and B cover screws.
Box and lid are made from Die-cast Aluminum Alloy.
Silicone Gasket supplied with liquid resistant enclosure.

PART NUMBERS	
1590DD Enclosure	1590DD
Natural Finish Enclosure	
1590DD Liquid Resistant Enclosure (Silicone Gasket)	1590MDD
Natural Finish Enclosure	
ACCESSORIES	
Recommended Torque: 76 oz/in / 56 cN.m	
Liquid Resistant Cover Screws	1590VMS100
Stainless Steel Cover Screws (pkg 100)	
[6-32 x 1/2" With O-Ring]	
Standard Cover Screws	1590MS100
Plated Cover Screws (pkg 100)	
[6-32 x 1/2"]	

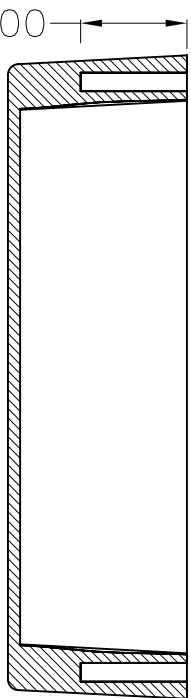
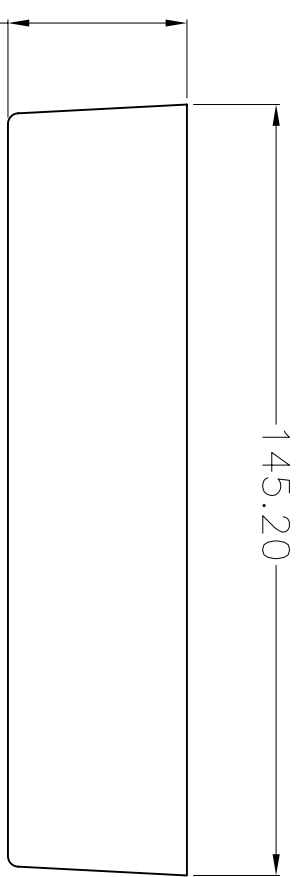
Model: 1590xx	Material	number:	Company: MM	Proportio: 1: 1
Tolerances for size	线性	>0~6	±0.05	
	角	>6~20	±0.1	
	R	>20~50	±0.2	
	寸	>50~100	±0.4	
	Angle size	>100	±0.8	
			±2°	
Design	Audit	Approval	Time	

标记 A	日期	姓名	变更内容
---------	----	----	------

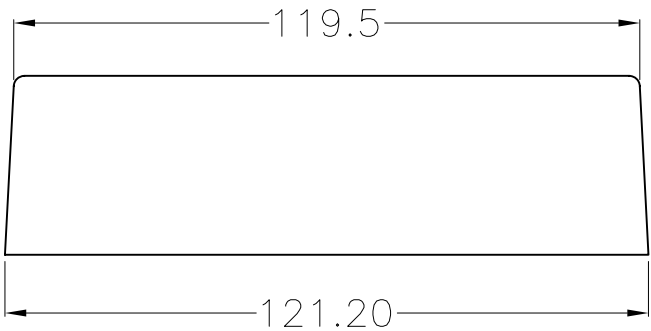
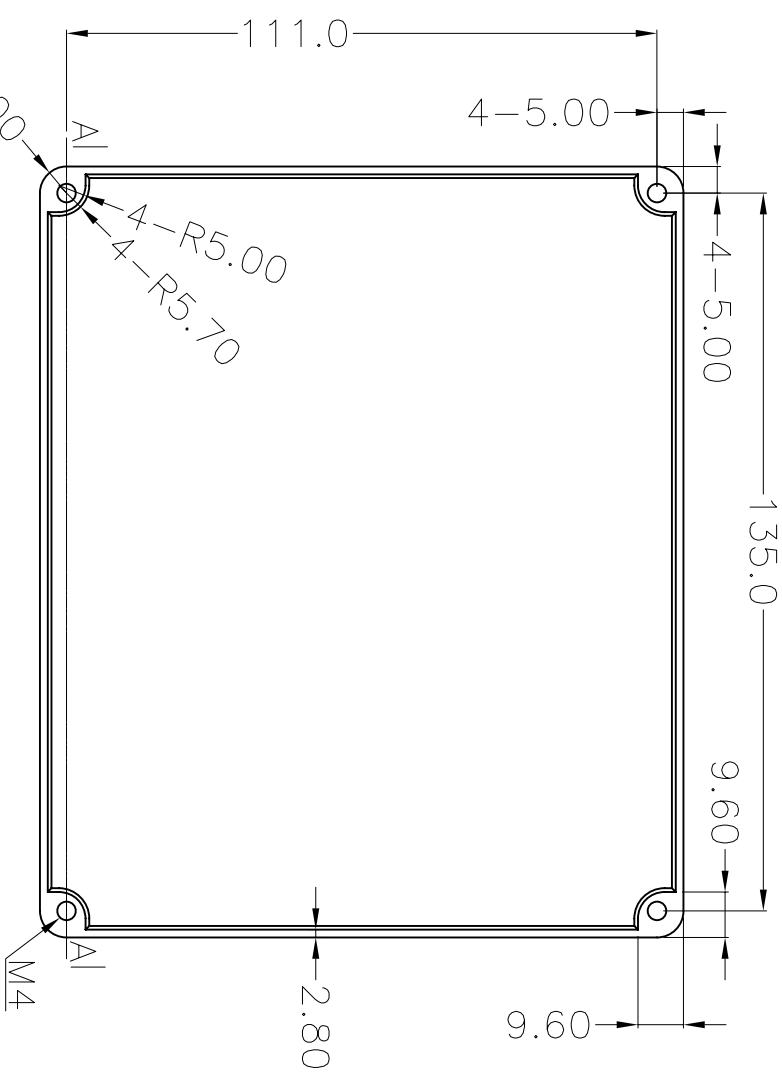


Tolerances for size	线性	>0~6	±0.05
	尺寸	>6~20	±0.1
Angle size	度	>20~50	±0.2
	度	>50~100	±0.4
		>100	±0.8
Design	Angle size ±2°		
Audit			
Approval			
Time			
Model: 1590G			
Material			
number:			
Company: MM	Proportio: 1: 1		
Edition: A1	perspective:		
第 1 页 共 1 页			
乐清市戴尔电子有限公司 YIQING DAIFU ELECTRON CO., LTD			

标记	日期	姓名	变更内容
A			



A-A



NOTE
 Purchased assembly includes top, lid and 8 cover screws.
 Box and lid are made from Diecast Aluminum Alloy.
 Silicone Gasket supplied with liquid resistant enclosure.

PART NUMBERS	
1590DD Enclosure	1590DD
Natural Finish Enclosure	1590DD
1590DD Liquid Resistant Enclosure (Silicone Gasket)	1590DD
Natural Finish Enclosure	1590DD
ACCESSORIES	
Recommended Torque: 75 oz/in / 55 cN.m	
Liquid Resistant Cover Screws (Pkg 100)	1590MMS100
Stainless Steel Cover Screws (Pkg 100)	1590MMS100
Standard Cover Screws (Pkg 100)	1590MS100
Plated Cover Screws (Pkg 100)	1590MS100

Tolerances for size	线	±0.05
>6~20	性	±0.1
>20~50	R	±0.2
>50~100	寸	±0.4
>100	Angle size	±0.8
	Angle size	±2°

Design	Approval	Model: 1590xx	Material	Company: MM	Proportion: 1:1
Audit	Time		number:	Edition: A1	Perspective:
				第 1 页 共 1 页	
				东莞市戴尔电子有限公司	
				YIEQING DAIER ELECTRON CO., LTD	